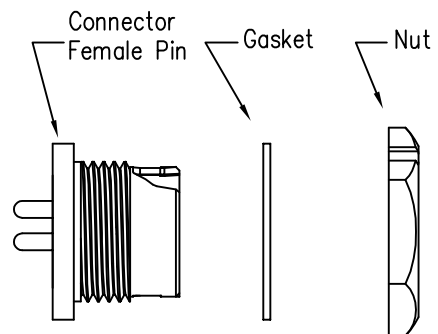
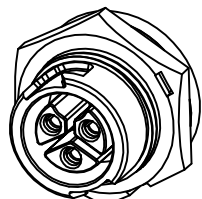
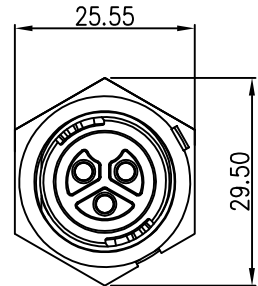
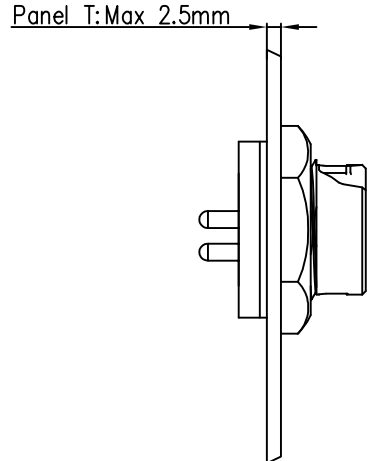
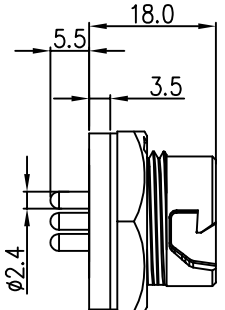
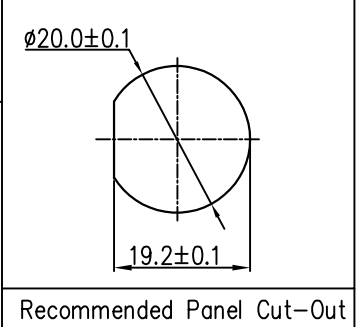
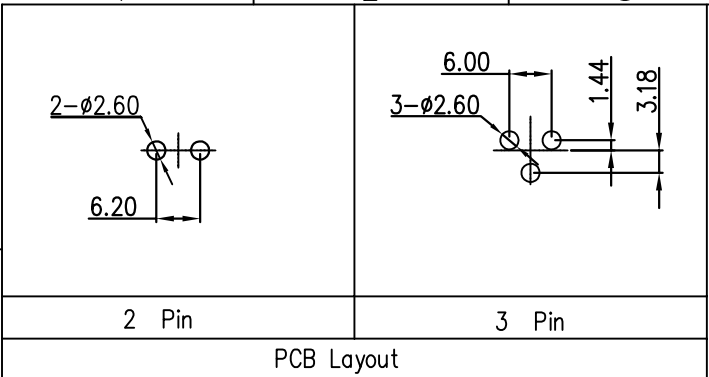


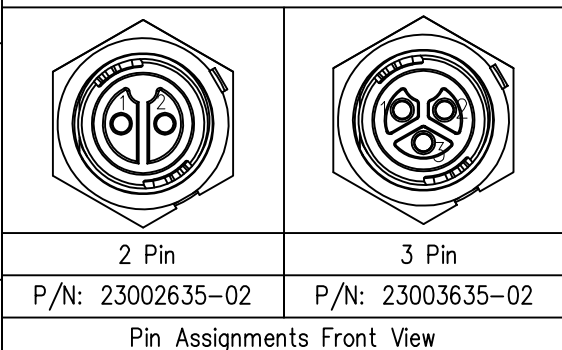
THIS INFORMATION IS CONFIDENTIAL AND IS DISCLOSED TO YOU ON CONDITION THAT NO FURTHER DISCLOSURE IS MADE BY YOU TO OTHER THAN CHOGORI PERSONNEL WITHOUT AUTHORIZATION FROM CHOGORI CORP.

REV.	ECN NO.	DESCRIPTION	SIGN	DATE
C1	N/A	INITIAL DRAWING	Liu	2020/05/20



- Specification:
- 1.Operation Temperature: -45°C~105°C.
 - 2.Insulation Resistance: 100MΩ at DC500V.
 - 3.Contact Resistance: <10mΩ.
 - 4.Withstand Voltage: 2000V AC
 - 5.Operating Current: 20A
 - 6.Operating Voltage: AC 300V
 - 7.Waterproof Rate: IP67 (Mated)
 - 8.Housing: Nylon, Black
 - 9.Female Pin: Copper Alloy, Gold Plated
 - 10.Gasket: Silicon Gray
 - 11.Panel Nut: Nylon, Blue
 - 12.Torque Rate: 0.8~1.0N • m
 - 13.RoHS Compliant.
 - 14.Mating Cap P/N: 806-00047-00

23XXX635-02
Pin Number



UNIT:mm		DESCRIPTION	Middle Series Push Lock Front Mount With Female Pin	
TOLERANCE	.X ±0.25 .XX ±0.15 .XXX ±0.05 ANGLES ±1°	SCALE:	1:1	SHEET 1 OF 1
REV.	C1	SIZE	A4	* : Inspection Item

CHOGORI

PART NO	23XXX635-02	DRAWN BY	Liu	DATE	2020/05/20
DWG NO		CHECKED BY	Mo	DATE	2020/05/20
CUSTOMER		APPROVED BY	Adley	DATE	2020/05/20