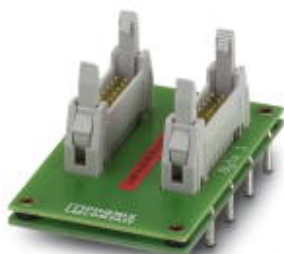


Front adapters - FLKM 14-PA-INLINE/OUT16 - 2302764

Please be informed that the data shown in this PDF Document is generated from our Online Catalog. Please find the complete data in the user's documentation. Our General Terms of Use for Downloads are valid (<http://phoenixcontact.com/download>)



VARIOFACE front adapter for Inline modules, for transferring 16 (2 x 8) digital output signals.

RoHS

Key Commercial Data

Packing unit	1 pc
GTIN	
GTIN	4017918929480

Technical data

Dimensions

Width	44 mm
Height	27 mm
Depth	66.5 mm

Ambient conditions

Ambient temperature (operation)	-20 °C ... 50 °C
Ambient temperature (storage/transport)	-20 °C ... 70 °C
Degree of protection	IP20

General

Max. permissible operating voltage	60 V DC
Max. permissible current	1 A (per path)
Mounting position	any

Standards and Regulations

Standards/regulations	IEC 60664
	DIN EN 50178
Rated insulation voltage	63 V
Rated surge voltage	0.6 kV

Front adapters - FLKM 14-PA-INLINE/OUT16 - 2302764

Technical data

Standards and Regulations

Insulation	Functional insulation
Pollution degree	2
Overvoltage category	II

Connection data

Connection name	Controller level
Channels which can be connected	32

Connection data 2

Connection name	Field level
Connection method	IDC/FLK pin strip
Number of connections	2
Number of positions	14
Pitch	2.54 mm

Supported controller

Controller	PHOENIX CONTACT Inline
- suitable I/O card	IB IL 24 DO 16-PAC
	ILB ... 24 DO16
	ILB ... 24 DO32
	ILB ... 24 DI16 DO16

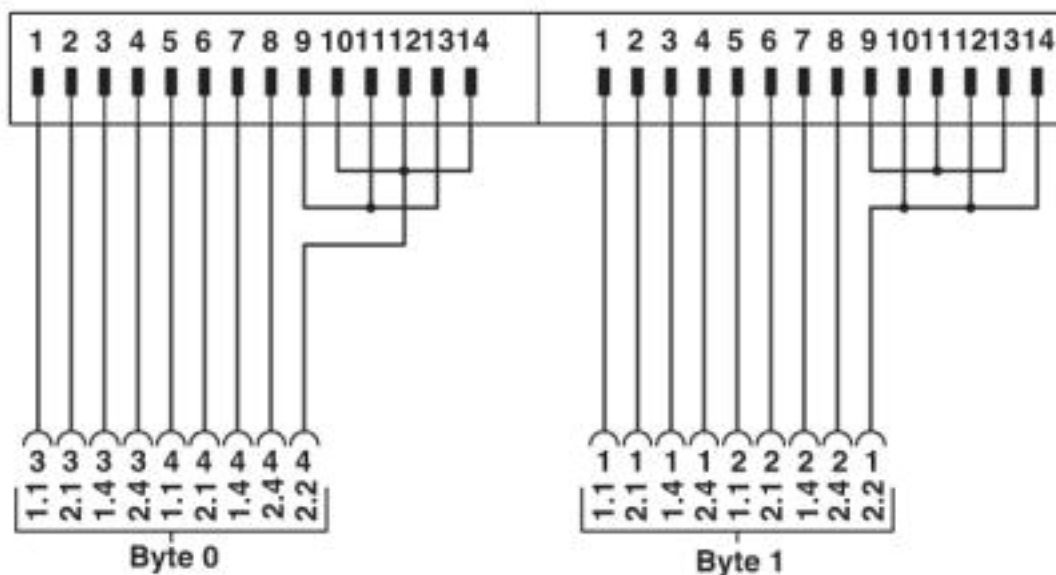
Environmental Product Compliance

REACH SVHC	Lead 7439-92-1
China RoHS	Environmentally Friendly Use Period = 50
	For details about hazardous substances go to tab "Downloads", Category "Manufacturer's declaration"

Drawings

Front adapters - FLKM 14-PA-INLINE/OUT16 - 2302764

Circuit diagram



Connection scheme: FLKM 14-PA-INLINE/OUT16

Approvals

Approvals

Approvals

EAC

Ex Approvals

Approval details

EAC		RU C- DE.A*30.B.01742
-----	--	--------------------------

Phoenix Contact 2019 © - all rights reserved
<http://www.phoenixcontact.com>

PHOENIX CONTACT GmbH & Co. KG
Flachsmarktstr. 8
32825 Blomberg
Germany
Tel. +49 5235 300
Fax +49 5235 3 41200
<http://www.phoenixcontact.com>