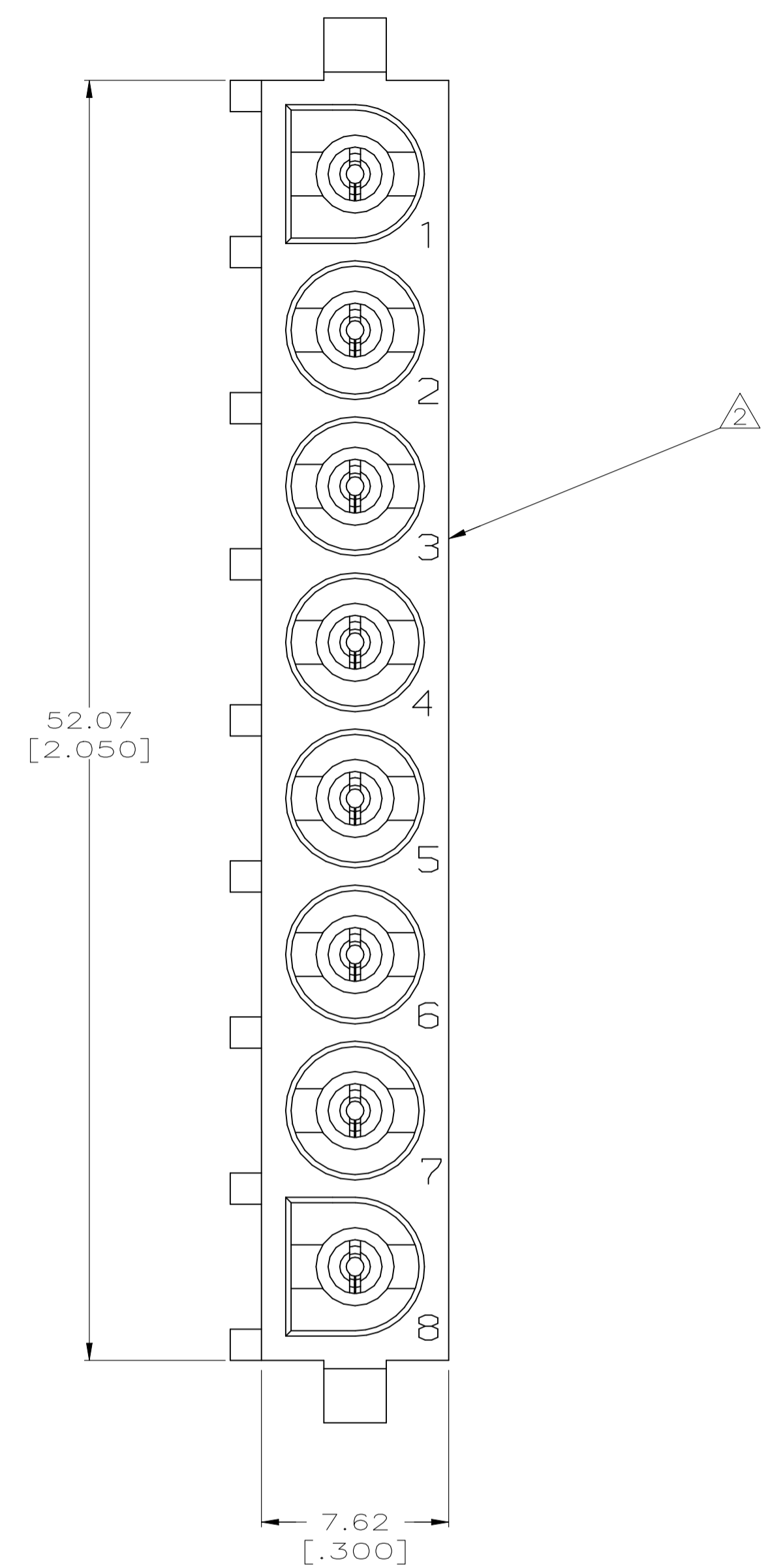
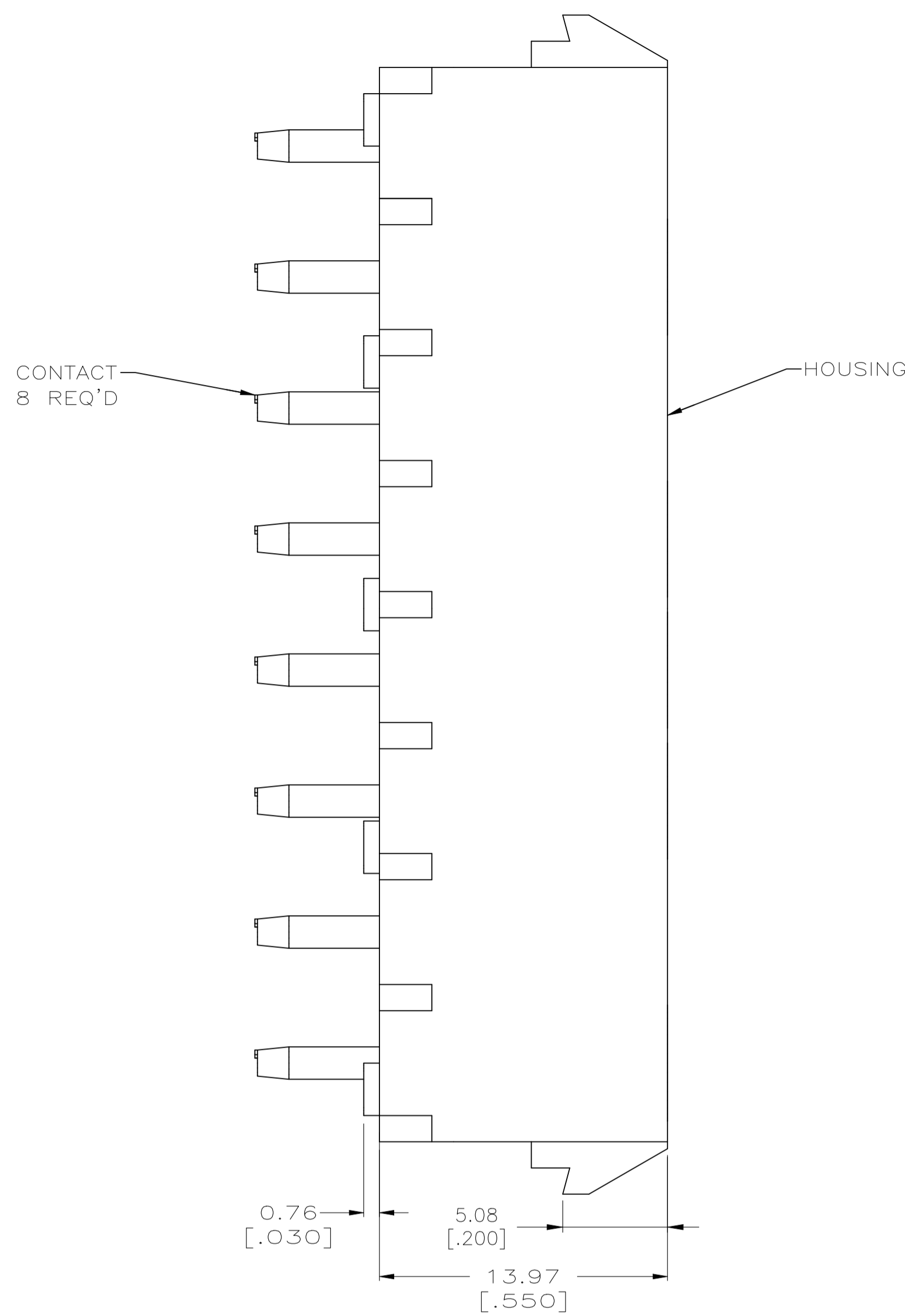
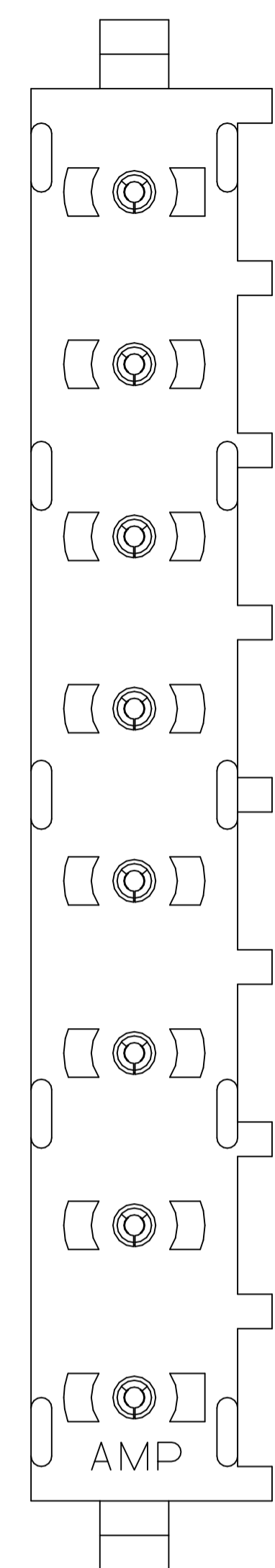
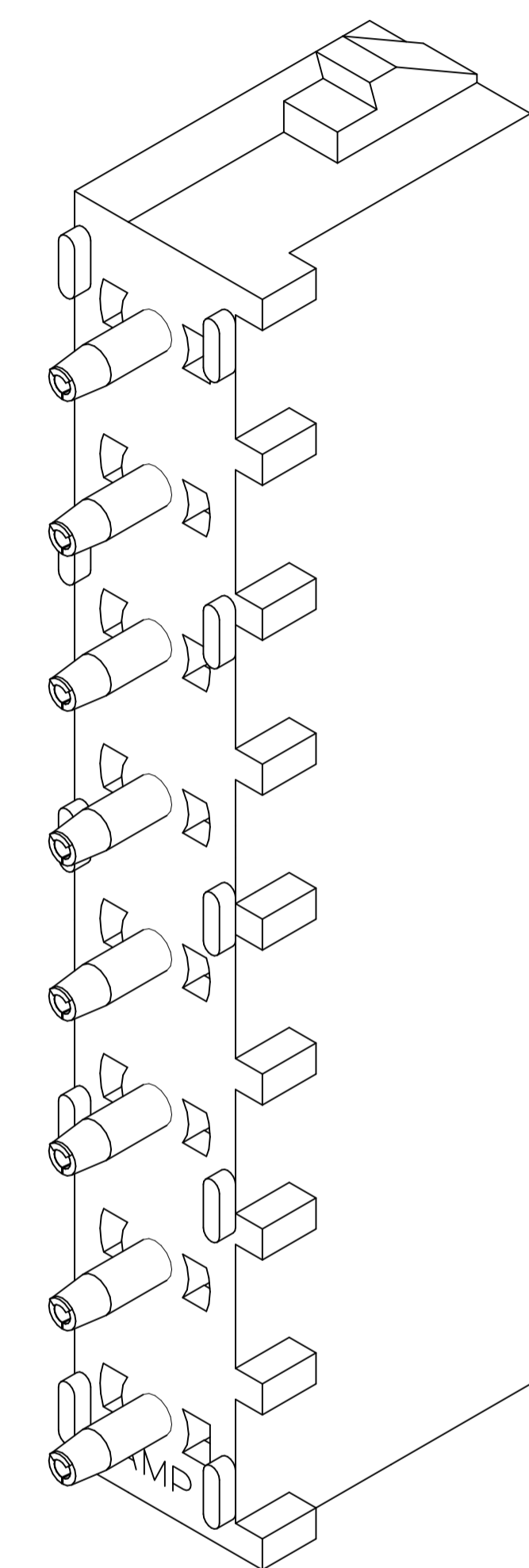


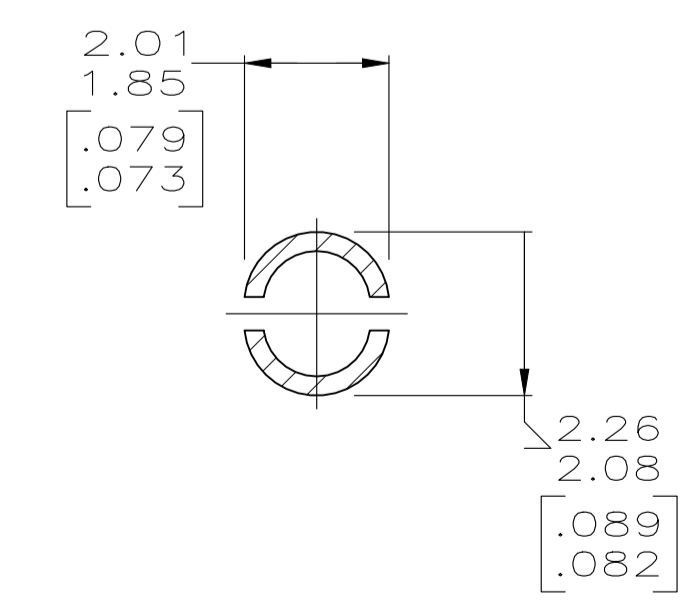
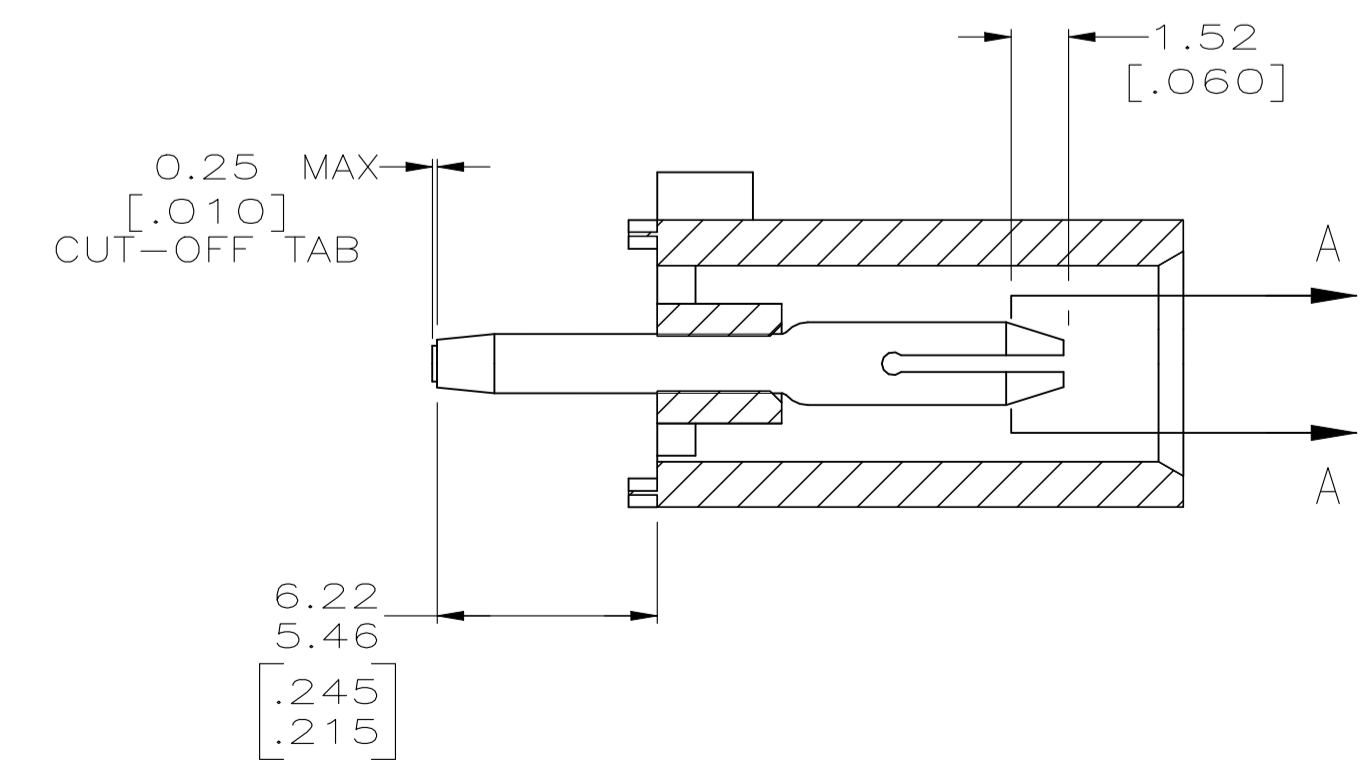
REVISIONS					
REV	DATE	DESCRIPTION	BY	CHK	APPV
D2	03AUG2022	REVISED PER ECR-21-117154	SKR	VS	



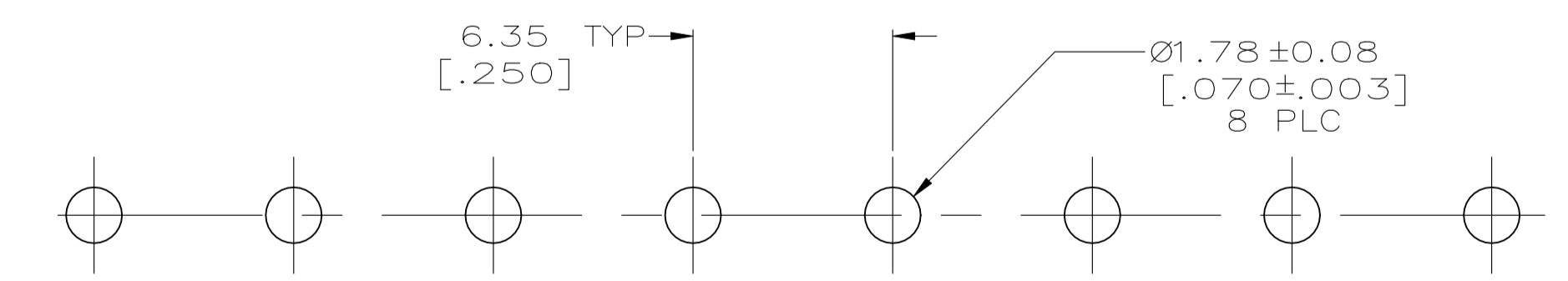
- PARTS COMPLY TO AMP SOLDERABILITY SPECIFICATION 109-11-3.
- CIRCUIT IDENTIFICATION CHARACTERS ARE ADJACENT TO THE INDICATED CAVITIES, BUT LOCATION AND ORIENTATION MAY DIFFER FROM PRINT.
- DIMENSIONS IN BRACKETS ARE IN INCHES.
- DIMENSION SHOWN REPRESENT PRODUCT IN DRY CONDITION. ADDITIONAL 2% GROWTH DUE TO END USE LOCATION MOISTURE ABSORPTION MAY OCCUR AND SHOULD BE ACCOUNTED FOR.



3-DIMENSIONAL MODEL NTS



SECTION A-A SCALE 10:1



RECOMMENDED MOUNTING HOLE PATTERN FOR 3.18 [.125] THICK P.C. BOARD

PHOSPHOR BRONZE, PRE-TIN	NYLON, UL94V-2, NATURAL	770143-1
PIN CONTACT MATERIAL AND FINISH	HOUSING MATERIAL	PART NO
THIS DRAWING IS A CONTROLLED DOCUMENT. DIMENSIONS: mm [INCHES] TOLERANCES UNLESS OTHERWISE SPECIFIED: 0 PLC ± — 1 PLC ± — 2 PLC ± 0.13 [0.005] [0.005] 3 PLC ± — 4 PLC ± — ANGLES ± 0° 30'		
MATERIAL SEE TABLE	FINISH SEE TABLE	WEIGHT 0.000000
CUSTOMER DRAWING		SCALE 5:1 SHEET 1 OF 1 REV D2