



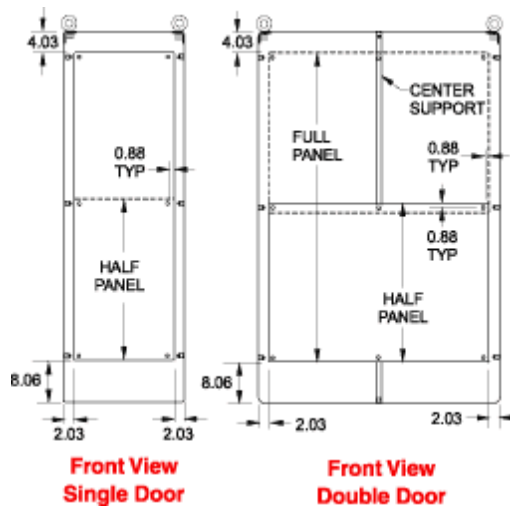
Quality Products. Service Excellence.

Inner Panels

1418FS and HN4FS Series Enclosures



- Formed from 10 gauge or 12 gauge steel.
- All double door width panels are 10 gauge steel.
- Width panels are available in full or half height.
- Depth panels are available in full height only.
- Depth and width panels are provided with all mounting hardware and center support where required.
- Half panel can be mounted in the top or bottom half of the enclosure.
- Finished in white.



Single Door Width Panels

Steel	Galv. Steel			Panel
Part No.	Part No.	Description	Enclosure Size	
60TWFW	60TWFWG	Full Panel	60 x 24	48.00 x 20
60TWHW	60TWHWG	Half Panel		24.87 x 20
72WFW	72WFWG	Full Panel	72 x 24	60.00 x 20
72WHW	72WHWG	Half Panel		30.87 x 20
90YFW	90YFWG	Full Panel	90 x 24	78.00 x 20
90YHW	90YHWG	Half Panel		39.87 x 20
72XFW	72XFWG	Full Panel	72 x 30	60.00 x 26
72XHW	72XHWG	Half Panel		30.87 x 26
60TYFW	60TYFWG	Full Panel	60 x 36	48.00 x 32
60TYHW	60TYHWG	Half Panel		24.87 x 32
72YFW	72YFWG	Full Panel	72 x 36	60.00 x 32
72YHW	72YHWG	Half Panel		30.87 x 32
90YFW	90YFWG	Full Panel	90 x 36	78.00 x 32
90YHW	90YHWG	Half Panel		39.87 x 32

Double Door Width Panels

Steel		Galv. Steel			
Part No.	Part No.	Description	Enclosure	Panel Size	
60AWFW	60AWFWG	Full Panel	60 x 48	48.00 x 44	
60AWHW	60AWHWG	Half Panel		24.88 x 44	
72ZFW	72ZFWG	Full Panel	72 x 48	60.00 x 44	
72ZHW	72ZHWG	Half Panel		30.88 x 44	
72ZFW	72ZFWG	Full Panel	72 x 60	60.00 x 56	
72ZHW	72ZHWG	Half Panel		30.88 x 56	
72ZYFW	72ZYFWG	Full Panel	72 x 72	60.00 x 68	
72ZYHW	72ZYHWG	Half Panel		30.88 x 68	
90BFW	90BFWG	Full Panel	90 x 48	78.00 x 44	
90BHW	90BHWG	Half Panel		39.88 x 44	
90BYFW	90BYFWG	Full Panel	90 x 72	78.00 x 68	
90BYHW	90BYHWG	Half Panel		39.88 x 68	

Depth Panels

Part No.	Encl. Height	Encl. Min Depth	Panel W	Panel H
60FD14	60.00	18.00	14.00	48.00
72FD9	72.00	18.00	9.00	60.00
72FD14	72.00	18.00	14.00	60.00
72FD20	72.00	24.00	20.00	60.00
72FD26	72.00	36.00	26.00	60.00
90FD9	90.00	18.00	9.00	78.00
90FD14	90.00	18.00	14.00	78.00
90FD20	90.00	24.00	20.00	78.00
90FD26	90.00	36.00	26.00	78.00

Tags: freestanding, inner panel, steel, galvanized steel, width panel, depth panel, half height, full height, double door, single door, 1418, HN4FS

Data subject to change without notice

© 2023. Hammond Manufacturing Ltd. All rights reserved.