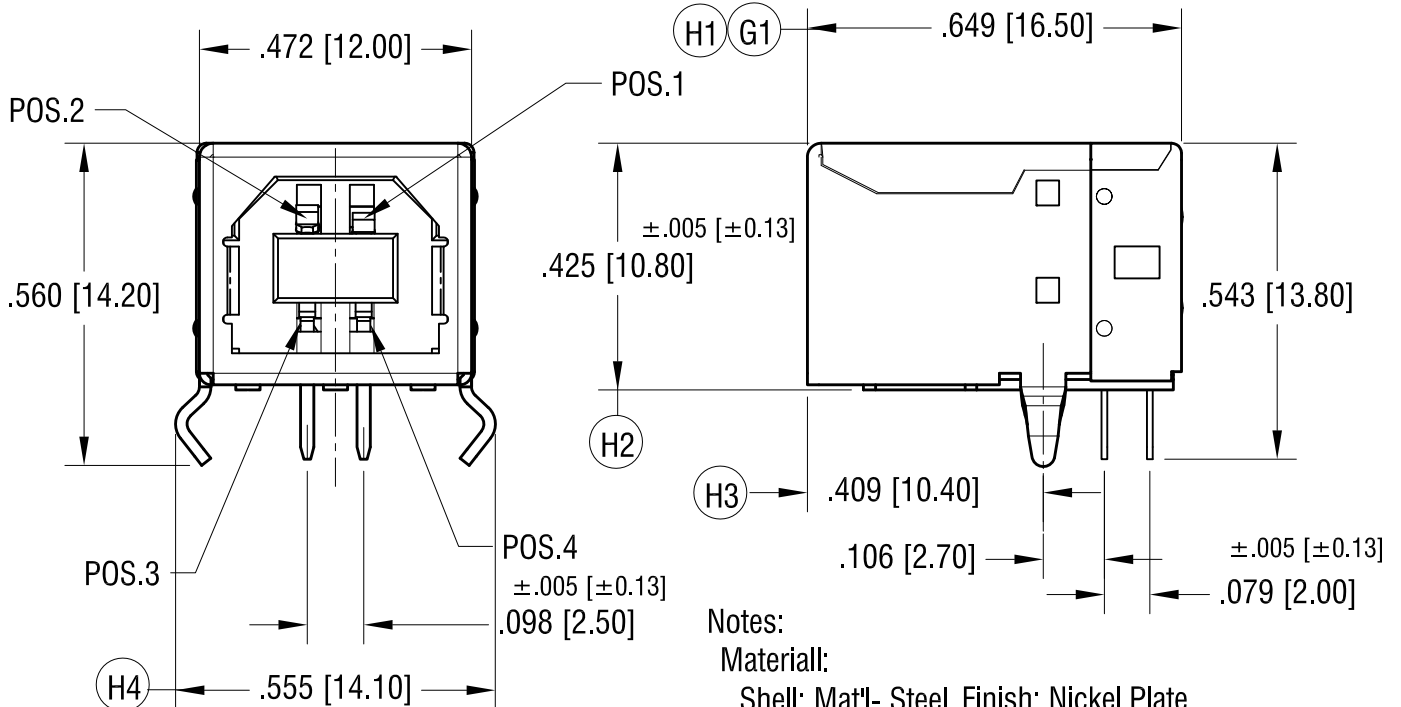
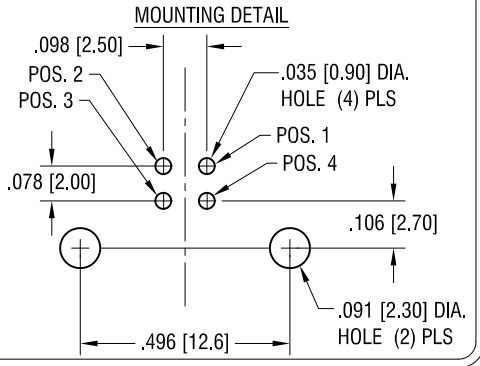
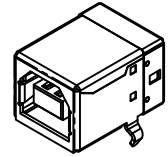


THIS DOCUMENT IS THE PROPERTY OF KEYSTONE ELECTRONICS CORP. AND SHALL NOT BE REPRODUCED, DISTRIBUTED OR USED AS A BASIS FOR MANUFACTURE WITHOUT PRIOR WRITTEN PERMISSION FROM KEYSTONE ELECTRONICS CORP.

ACTUAL SIZE



Notes:

Material:

Shell: Mat'l- Steel, Finish: Nickel Plate

Insulator: PBT

Contacts: Phosphor Bronze

Finish: Contact Area: Gold Plate over Nickel Plate
on Solder Tail: Tin Plate over Nickel Plate

Electrical Specifications

Rated Voltage: 30V AC (rms)

Contact Current Rating: 1 A Max.

Contact Resistance: 30 milliohms Max.

Dielectric Withstanding: 750V AC

Operating Temperature: -55°C to 85°C

12.07.22	(H4) WAS .575 [14.60] (H2) WAS .419[10.65], (H3) WAS .406[10.30] ECN 22-175, (H1) WAS .638 [16.20]	H
8.02.21	ECN 21-071, (G1) WAS .650[16.50]	G
2.01.16	CHANGE AS PER ECN 16-021	F
3.10.11	CHANGE AS PER ECN 11-036	E
12.17.09	CHANGE AS PER ECN 09-190	D
6.8.05	CHANGE AS PER ECN 05-034	C
10.21.02	CHANGE AS PER ECN 02-069	B
8.17.99	CHANGE AS PER ECN 99-059	A
DATE	DESCRIPTION	REV.

KEYSTONE ELECTRONICS CORP.			
www.keyelco.com • NEW HYDE PARK, NY 11040 • Tel (516) 328-7500			
PART NAME			
USB B-TYPE HORIZONTAL SOCKET			
MATERIAL			
AS NOTED			
FINISH		DRN BY	DATE
AS NOTED		BOONE	6.18.98
		APP'D	SCALE
		RH	3X
TOLERANCES	INCH [MM]	CODE	DWG NO.
DECIMAL	± .010 [± 0.25]	C	924
ANGULAR	± 1°		
UNLESS OTHERWISE SPECIFIED			