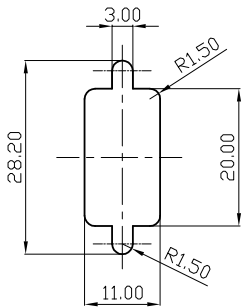
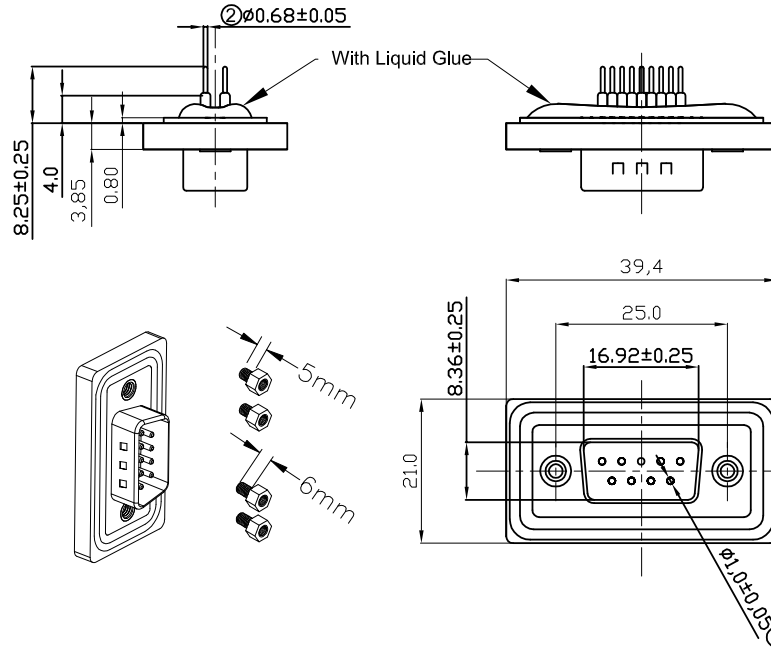


Panel Thickness
Screw L=5.0 For Panel Thickness Under 1.2mm
Screw L=6.0 For Panel Thickness Between 1.2-2.0mm



Recommended Panel Cut-Out



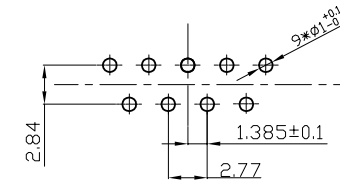
NOTES:

MATERIAL

1. Insulator Material: Black, NYLON+G/F UL94V-0
2. Contact Material: Copper Alloy
3. Plating: 1u" Gold Plating
4. Waterproof Rate: IP67
5. Do Mating Test After Glued

Electrical

1. Contact resistance: 20mΩ max.
2. Insulation resistance: 500MΩ min. at DC500V
3. Dielectric withstanding voltage: 500V AC 1 minute
4. Rating current: 2A
5. Durability: 500 cycles
6. Temperature range: -20°C ~ +85°C
7. Wave soldering temp.: +220°C 10s max.



9 Pin Male Connector
PCB Pin Layout
Scale 2:1

RoHS compliant
Unit: mm

Scale	Free					Date	Name	Customer-No.
TOLERANCE						Drawn	23.12.2008	JACK
X.X	±0.25					Approved	19.01.2018	Amy
X.XX	±0.10							
X.XXX	±0.05							
DIM	TOL	②	Change dimension and add notes	19.01.2018	Segal	ASSMANN WSW-No. A-DS 09 PP-WP		
		①	Drawn	23.12.2008	JACK			
Angle	±1°	Id.	Modification	Date	Name	Drawing-No. ASS 3247 CO		rev02
						Replace		Sheet

