

MATERIALS & SPECIFICATIONS

PART NO.	A29650-109	REV	ECO	DATE	APP
		D	104339	03-22-18	TLM

HOUSING:
ALUMINUM 6061, NICKEL PLATE PER
(500 MICROINCHES MINIMUM) SAE-
AMS-2404.

INSULATOR:
LIQUID CRYSTAL POLYMER (LCP) PER
ASTM D5138

CONTACT:
COPPER ALLOY PER MIL-DTL-32139,
GOLD PLATED PER ASTM B488,
(HARD GOLD) TYPE II CODE C CLASS
1.27

WIRE:
NEMA HP3 TYPE ET, COLOR CODED
IAW MIL-STD-681, SYSTEM 1, USING
TEN SOLID REPEATING COLORS

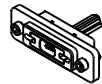
HARDWARE:
SCREW: 18-8 STAINLESS STEEL

RETAINING PIN: 17-7 STAINLESS
STEEL, PASSIVATE PER ASTM A967

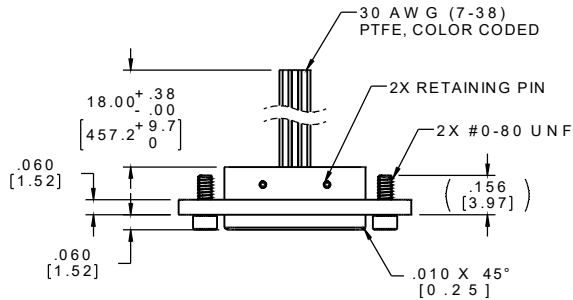
CURRENT RATING:
1 AMP MAX PER MIL-DTL-32139

CONTACT RESISTANCE:
71 MILLIOHM MAX (71mV DROP
MAX) @ 1.0 AMPS PER MIL-DTL-
32139

PERFORMANCE:
PRODUCT FAMILY TESTED TO AND
PASSED THE PERFORMANCE
SPECIFICATIONS OF TABLE VIII OF
MIL-DTL-32139.

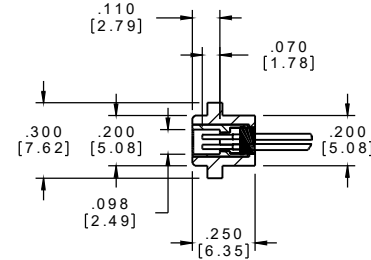
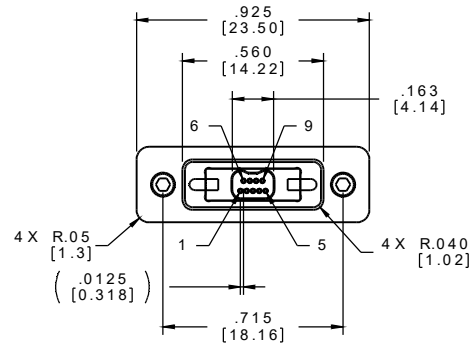


ACTUAL SIZE
EXCLUDING WIRE LENGTH



SOCKET #	COLOR
1	BLACK
2	BROWN
3	RED
4	ORANGE
5	YELLOW
6	GREEN
7	BLUE
8	VIOLET
9	GRAY

INTERNAL USE ONLY
USE MFG LOADING
PROCEDURE A29000-009



NOTE:

DIMENSIONS IN [] ARE IN
MILLIMETERS UNLESS
OTHERWISE NOTED AND ARE
FOR REFERENCE ONLY

THIRD ANGLE	
-TOLERANCES-	
DIMENSIONS IN INCHES	
2 P L D E C ± .01	
3 P L D E C ± .005	
4 P L D E C ± .0005	
ANGLE S ±	

THIS DRAWING CONTAINS CONFIDENTIAL AND PROPRIETARY INFORMATION WHICH IS THE PROPERTY OF OMNETICS CONNECTOR CORP. THIS DOCUMENT MAY NOT IN WHOLE OR IN PART BE DUPLICATED, OR DISCLOSED FOR ANY PURPOSE, WITHOUT WRITTEN PERMISSION FROM OMNETICS CONNECTOR CORP.	
DFTM. JPF	DATE 04-08-08
CHK'D.	DATE
APP'D.	DATE

TITLE: (9) SOCKET FEMALE
LATCHING Bi-Lobe®
CONNECTOR

OMNETICS
CONNECTOR CORPORATION
7260 COMMERCE CIRCLE EAST
MINNEAPOLIS, MN 55432
WWW.OMNETICS.COM

CAGE CODE 61873	REV
DWG NO. A29650-109	D
SHEET 1 OF 1	
SCALE: 2:1	