



### Electrical Specifications

**Cutoff Frequency:** 320 MHz  
**Insertion Loss:** 1.0 dB Max at DC-320 MHz  
**Return Loss:** 10 dB Min  
**Stopband:** 30 dB at 368 MHz  
**Ultimate Rejection:** 40 dB at 480-1600 MHz  
**Power Handling:** 30 W

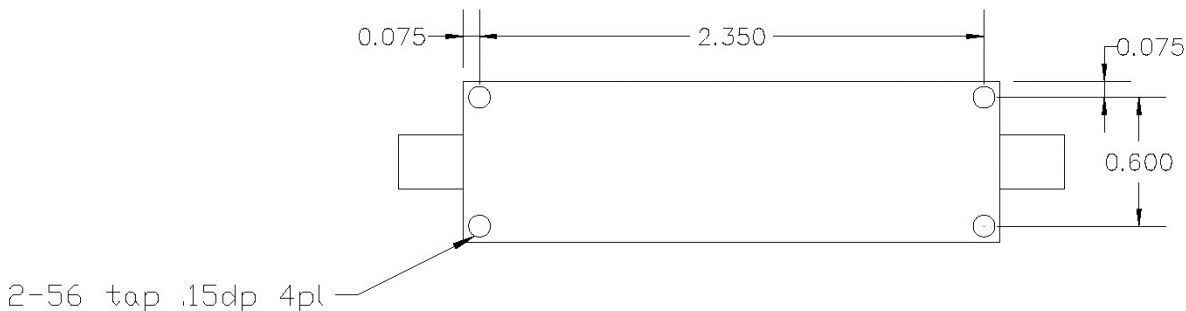
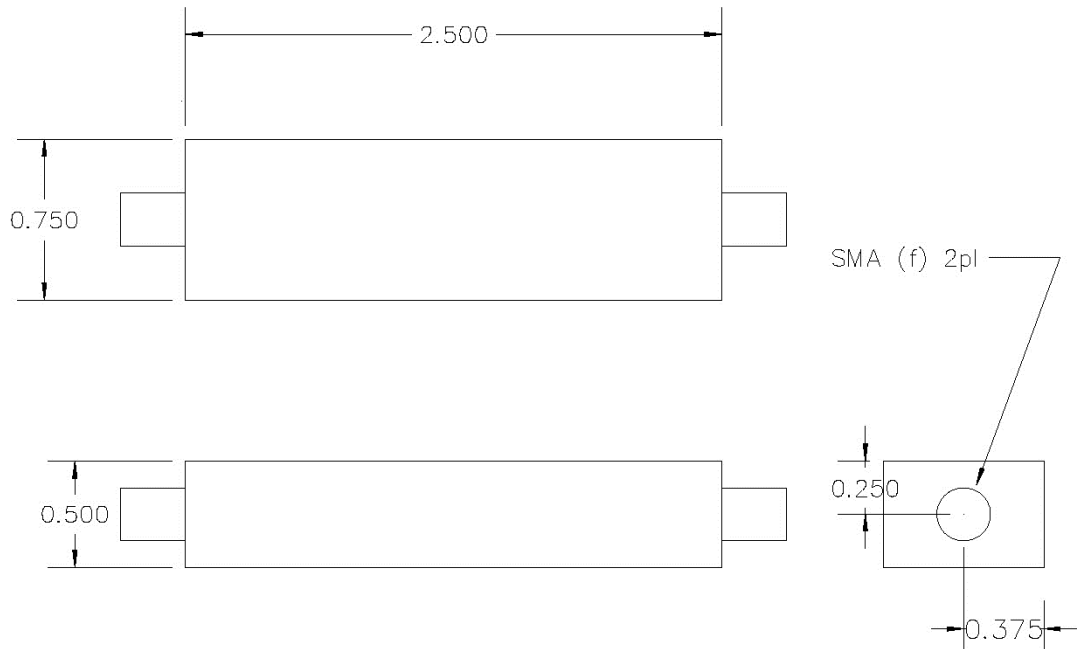
### Mechanical

**Connector Type:** SMA (F)  
**Dimensions:** 2.5 x 0.75 x 0.5 Inches

### Environmental

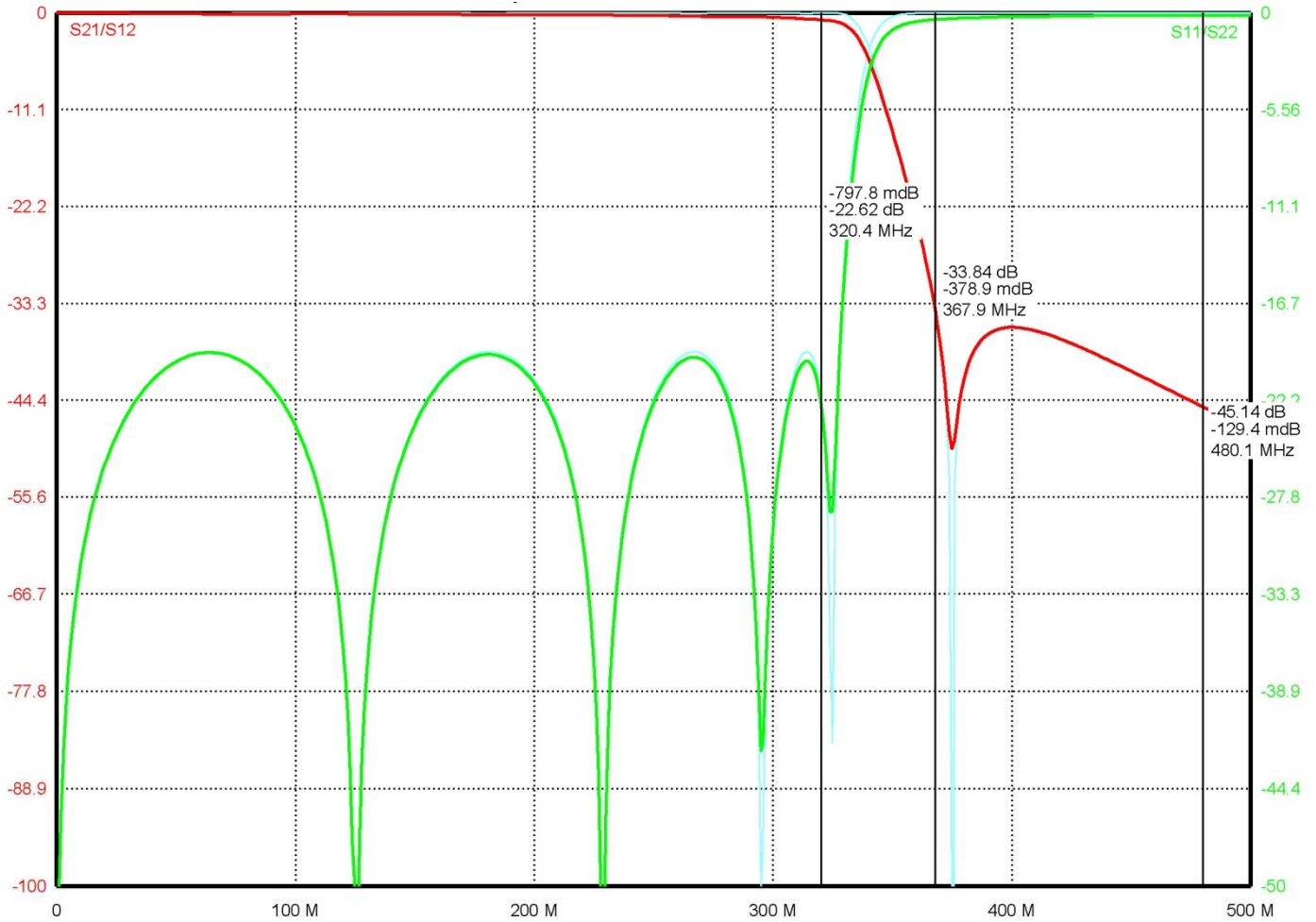
**Operating Temperature:** -40 to +85° C  
**Storage Temperature:** -50 to +95° C  
**Shock:** 20 G. 11 ms  
**Vibration:** 20 G. 5 to 200 MHz

### Outline Drawing:





### Response Plot:



**Note:** This is a simulation plot. Actual results may differ once the product is implemented.