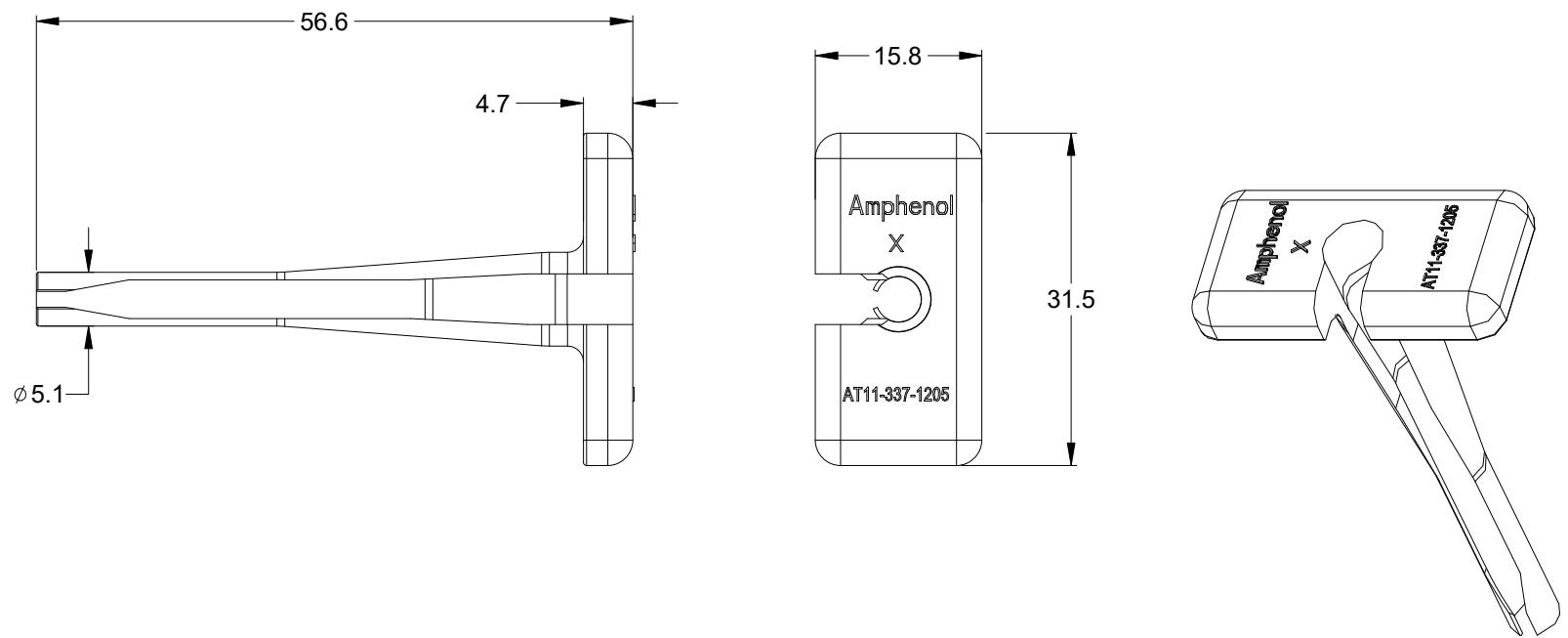


REVISIONS					
REV	ECO	DESCRIPTION	DATE	BY	APPR
A1		RELEASE NEW PRODUCT	16JUN15	ORION	TOMMY



AT11-337-1205												
PART NUMBER		DESCRIPTION		ITEM								
QUANTITY	MATERIALS LIST											
UNLESS OTHERWISE SPECIFIED: 1) All dimensions are in metric(mm). 2) Tolerances are as follows: 1 PL DEC ±0.30 Fractions ±1/64 2 PL DEC ±0.15 Angles ±1° 3 PL DEC ±0.08		SIGNATURES DATE		<h1 style="text-align: center;">Amphenol</h1> <p style="text-align: center;">Sine Systems - www.amphenol-sine.com 44724 Morley Drive Clinton Township, MI 48036</p>								
3) Note reference =		DRAWN: ORION.LI 16JUN15										
MATERIAL SPECIFICATIONS:		CHECKED:										
PROCESS SPECIFICATIONS:		ENGINEER:										
NEXT ASSY:		APPROVAL: TOMMY.XIE 16JUN15		CONTACT REMOVAL TOOL, SIZE 12, ORANGE, 12-14AWG								
		CUSTOMER:										
		THIS DRAWING IS SUPPLIED FOR INFORMATION ONLY. DESIGN FEATURES, SPECIFICATIONS AND PERFORMANCE DATA SHOWN HEREON ARE THE PROPERTY OF THE AMPHENOL CORPORATION. NO RIGHTS OF REPRODUCTION ARE IMPLIED. ALL DIMENSIONS ARE SUBJECT TO NORMAL MANUFACTURING VARIATIONS.		<table border="1"> <tr> <td>SIZE</td> <td>TYPE</td> <td>DWG NO:</td> <td>REVISION</td> </tr> <tr> <td>A</td> <td>C-</td> <td>AT11-337-1205</td> <td>A1</td> </tr> </table>	SIZE	TYPE	DWG NO:	REVISION	A	C-	AT11-337-1205	A1
SIZE	TYPE	DWG NO:	REVISION									
A	C-	AT11-337-1205	A1									
		SCALE: NONE		SHEET 1 OF 1								

- NOTES: UNLESS OTHERWISE SPECIFIED
1. MATERIAL: THERMOPLASTIC; COLOR: ORANGE
 2. RoHS COMPLIANT
 3. USE WITH AHDP,AHD SERIES
 4. ALL DIMENSIONS ARE FOR REFERENCE USE ONLY.