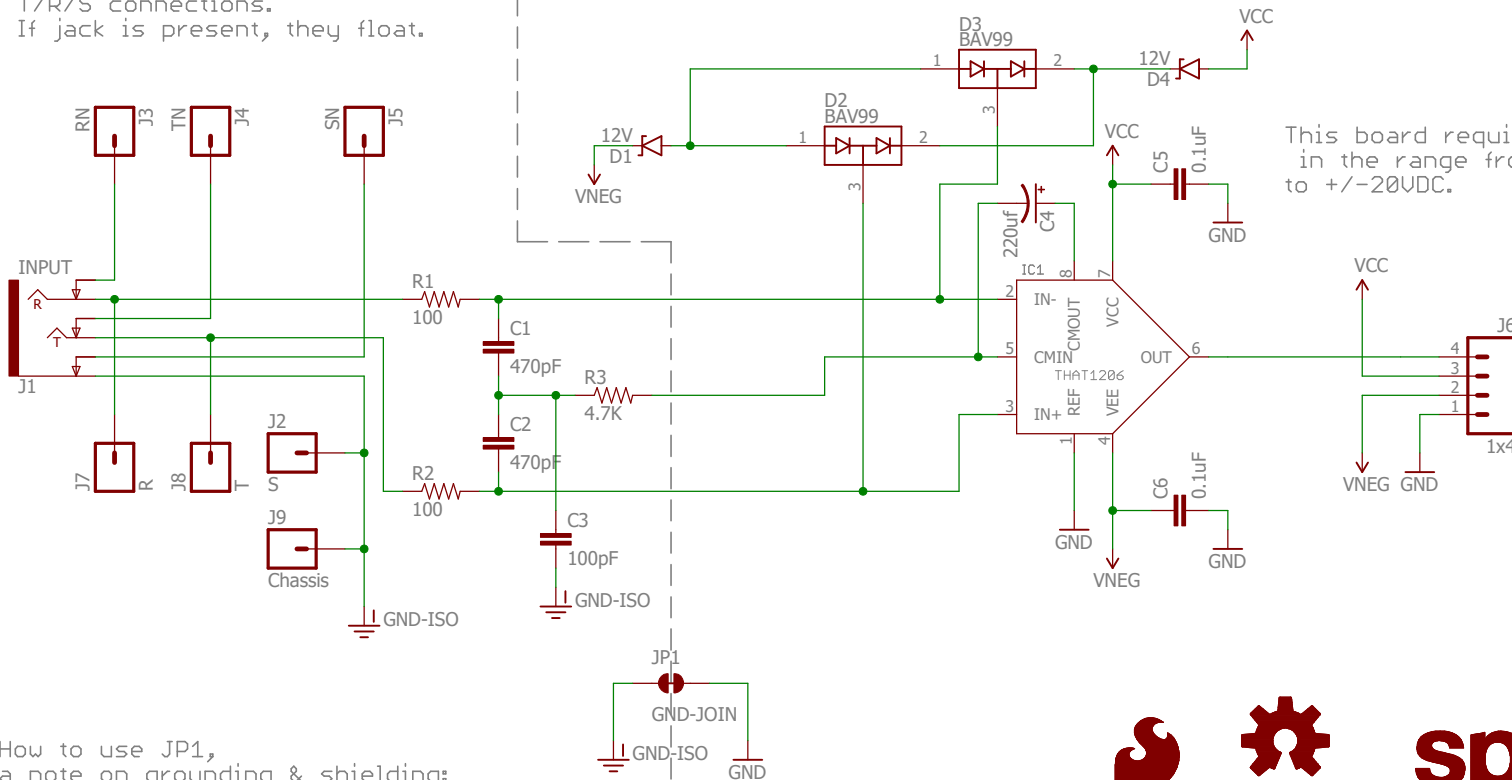


Chassis ground region | Circuit ground region

J3, J4, J5 are normals of TRS connections. If jack is not present, they connect to their respective T/R/S connections. If jack is present, they float.

D1, D2, D3, D4 form extended range clamp, holding input to 12V beyond the supply rails. The max Vin range published for the IC is +/-31V.

This board requires bipolar power, in the range from +/-5VDC to +/-20VDC.



How to use JP1, a note on grounding & shielding:

For prototyping/breadboarding, the entire board is grounded through the output connector (J4). In that case, leave JP1 intact.

If installing in a metal enclosure, the enclosure should be tied to earth, and the shield should be tied to the enclosure as directly as possible. In this case, cut JP1, and run a heavy wire from J9 to the chassis.

This avoids the common "pin 1 problem,"
<http://www.rane.com/note151.html>
<http://www.rane.com/note165.html>



Released under the Creative Commons Attribution Share-Alike 4.0 License
<https://creativecommons.org/licenses/by-sa/4.0/>

TITLE: THAT_1206_Breakout 

Design by: Byron Jacquot REV: V10

Date: 3/31/2017 11:57 AM Sheet: 1/1