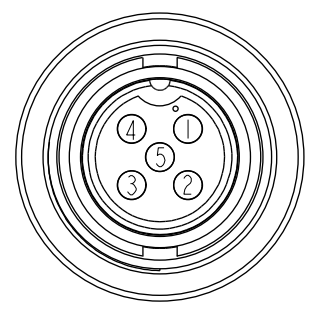
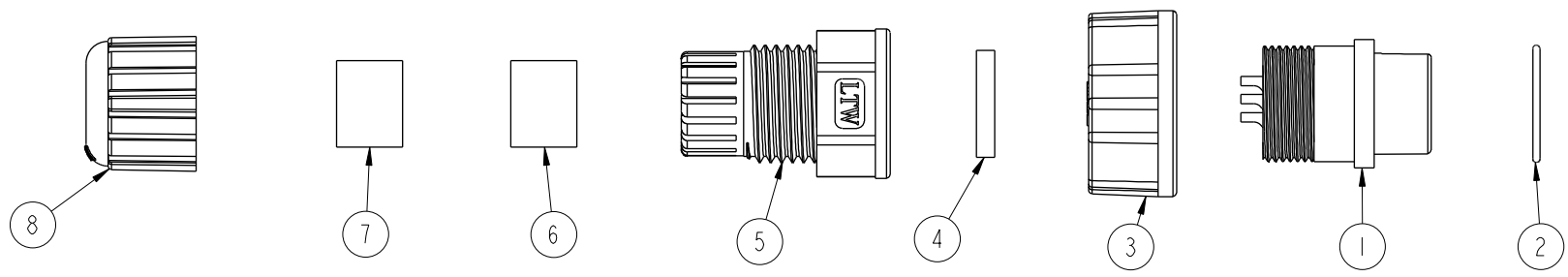


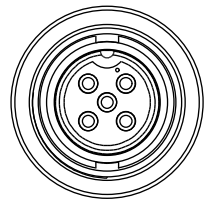
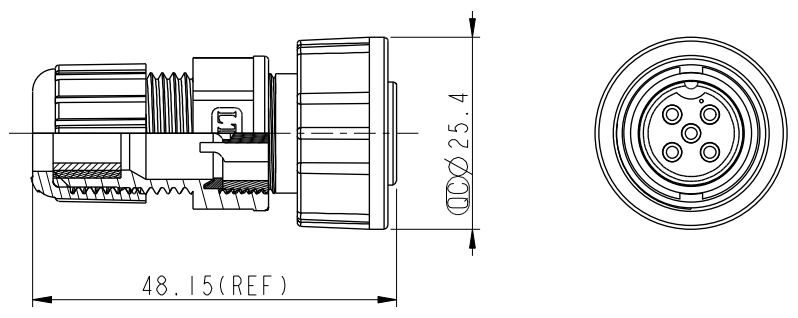
THIS DOCUMENT IS SUBJECT TO CHANGE WITHOUT NOTICE. IT IS CONFIDENTIAL AND A PROPERTY OF AMPHENOL LTW. DISCLOSURE TO THIRD PARTY HAS TO BE AUTHORIZED BY AMPHENOL LTW.

REV.	ECN NO.	DATE	SIGN	DESCRIPTION

**ALTW**  
**CONFIDENTIAL**  
 2012-04-05  
**R&D DEPT.**



Pin Assignments  
Front View



- Note:
- \*  $\varnothing$  Important Dimension To Check.
  - \* Waterproof Rate: IP67
  - \* Housing: Nylon+GF, Black.
  - \* Male Pin: Copper Alloy, Gold Plated.
  - \* O-Ring: EPDM, Black.
  - \* Screw Nut: Nylon+GF, Black.
  - \* Gasket: EPDM, Black.
  - \* Clamp Ring: Nylon, Black.
  - \* Sealing Nut: Nylon, Black.
  - \* Seals B1 for Cable OD:  $\varnothing 7.6\text{mm} \sim \varnothing 9.6\text{MM}$
  - \* Seals B2 for Cable OD:  $\varnothing 4.0\text{MM} \sim \varnothing 7.6\text{MM}$
  - \* One Set Unassembled in One PE Bag.

**ALTW**  
**DCC. DEPT.**  
**CONFIDENTIAL**  
 2012-04-25  
**ISSUED**

UNIT: mm		
TOLERANCE		
.X	$\pm 0.25$	
.XX	$\pm 0.1$	
.XXX	$\pm 0.05$	
ANGLES	$\pm 1^\circ$	

TITLE MIDDLE ASSY SCREW 5PIN F CONN M PIN			
SCALE 1:1	SIZE A4	SHEET 1 OF 1	
REV. A	WC-REV. A.2	$\varnothing$ : Inspection item	

**Amphenol LTW**  
 安費諾亮泰企業股份有限公司

ITEM NO. CB-05BFMA-SL7001	DRAWN BY SamChang	DATE 2012-04-05
DWG NO. CB-05BFMA-SL7001	CHECKED BY Jeffrey	DATE 2012-04-25
CUSTOMER ALTW	APPROVED BY Lion	DATE 2012-04-25