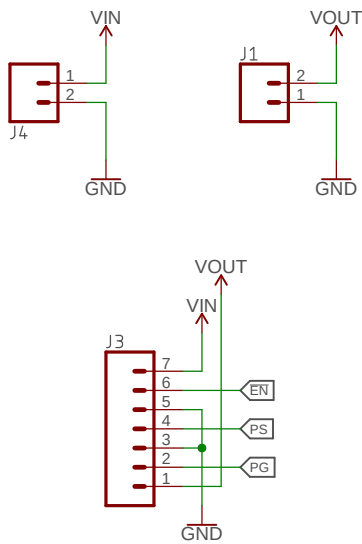


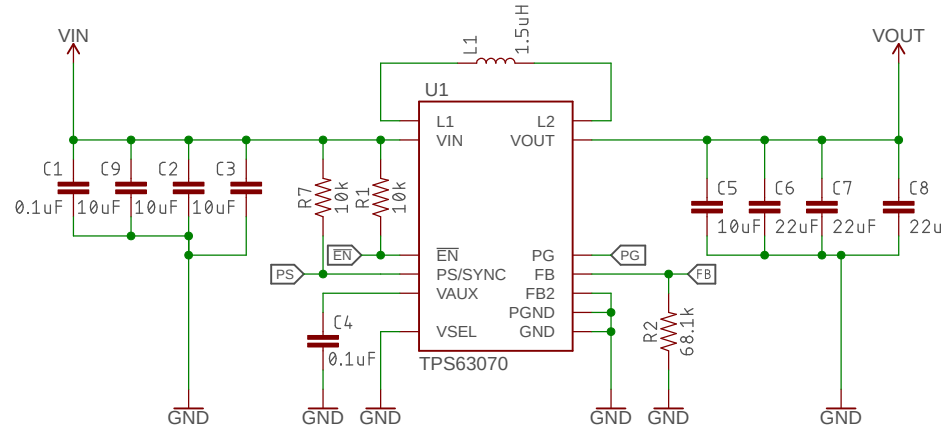
Connectors



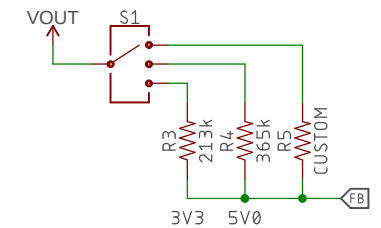
TPS63070 Buck-Boost Regulator

VIN: 3-16V

VOUT: 2.5-9V

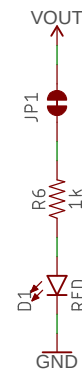


Voltage Selector



$$R_SET(k\Omega) = 68.1 * (VOUT/0.8 - 1)$$

Power LED



Special Instructions



Released under the Creative Commons Attribution Share-Alike 4.0 License
<https://creativecommons.org/licenses/by-sa/4.0/>



TITLE: SparkFun_Buck-Boost

Design by: Alex Wende

REV:
v10

Date: 4/29/2019 11:15 AM

Sheet: 1/1