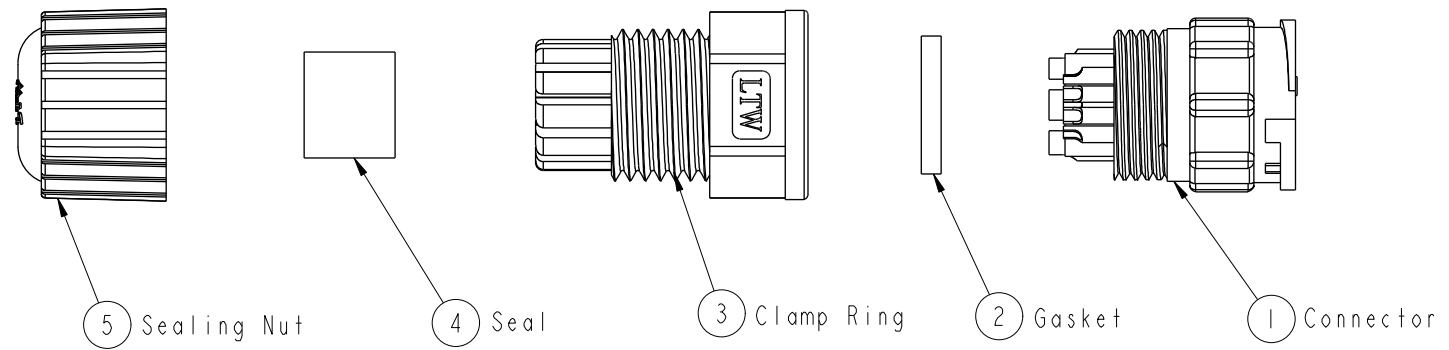
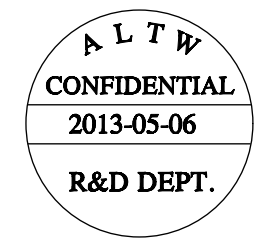
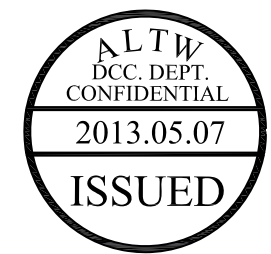
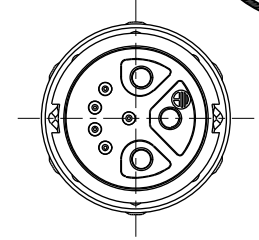
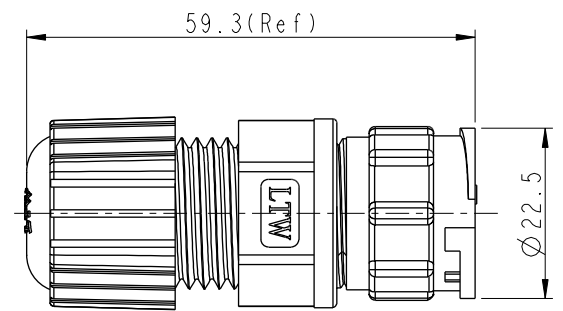


THIS DOCUMENT IS SUBJECT TO CHANGE WITHOUT NOTICE. IT IS CONFIDENTIAL AND A PROPERTY OF Amphenol LTW. DISCLOSURE TO THIRD PARTY HAS TO BE AUTHORIZED BY Amphenol LTW.

REV.	ECN NO.	DATE	SIGN	DESCRIPTION
B	LEN1340139	2013/04/26	Yulong	Update the Note
C	LEN1350059	2013/05/06	Ruru	Modify Cable OD Max



Conn.  
Pin Assignments  
Front View



- Note:
- \*  $\text{CC}$  Important Dimension To Check
  - \* Waterproof Rate: IP67
  - \* Connector: Nylon+GF, Black
  - \* Pin: Copper Alloy, Gold Plated
  - \*  $\triangle B$  Gasket: Silicone, Black
  - \* Clamp Ring: Nylon, Black
  - \* Seal: Silicone, Gray
  - \* Sealing Nut: Nylon, Black
  - \*  $\triangle C$  Cable OD Max:  $\varnothing 9.5 \sim \varnothing 10.8 \text{mm}$

UNIT:mm		
TOLERANCE	.X $\pm 0.25$	
	.XX $\pm 0.1$	
	.XXX $\pm 0.05$	
ANGLES	$\pm 1^\circ$	

TITLE Large Assy Connector MConn 3FPin(20A)+5MPin(2A)			
SCALE 1:1	SIZE A4	SHEET 1 OF 1	
REV. C	WC-REV. C.1	$\text{CC}$ : Inspection item	

**Amphenol LTW**  
安費諾亮泰企業股份有限公司

ITEM NO DCU-08BMDA-LL7001	DRAWN BY Ruru	DATE 2013-05-06
DWG NO DCU-08BMDA-LL7001	CHECKED BY Rita	DATE 2013-05-06
CUSTOMER ALTW	APPROVED BY Maslow	DATE 2013-05-06