

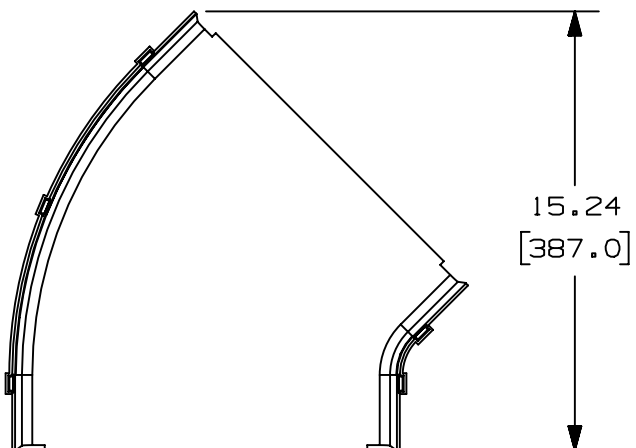
2

1

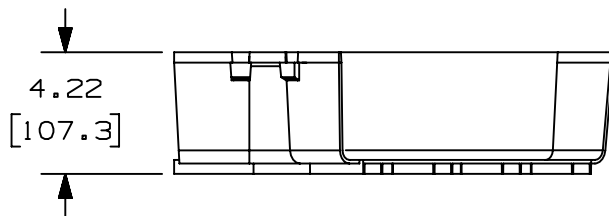
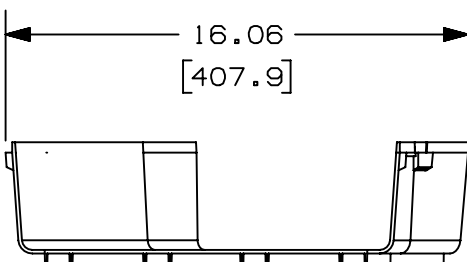
THIS COPY IS PROVIDED ON A RESTRICTED BASIS AND IS NOT TO BE USED IN ANY WAY DETRIMENTAL TO THE INTERESTS OF PANDUIT CORP.

NOTES:

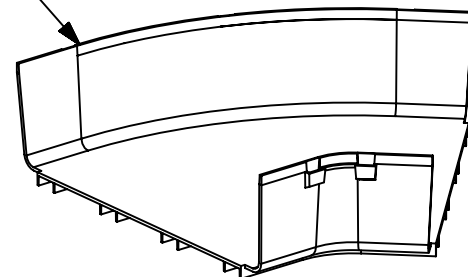
- 1. SEE CURRENT CATALOG FOR ADDITIONAL PART SUFFIXES TO INDICATE COLOR AND/OR PACKAGE QUANTITY.
- 2. THE FIBERRUNNER 12x4 HORIZONTAL 45° ANGLE FITTING IS DESIGNED WITH A MINIMUM 2" (50.8) BEND RADIUS TO PROTECT FIBER OPTIC CABLES.
- 3. DIMENSIONS IN PARENTHESES ARE IN METRIC.
- 4. PARTS SUPPLIED:
(1)- 45° HORIZONTAL ANGLE



PANDUIT PART NUMBER	WEIGHT	MATERIAL
FRH4512X4**	1.52 LB/EACH (690g/EACH)	ABS
FRH4512X4L**	1.52 LB/EACH (690g/EACH)	PC/ABS



45° HORIZONTAL ANGLE



REV	DATE	BY	CHK	APR	DESCRIPTION	ECN
06A	8/21/20	MEX-JAGC	DWR	DWR	ADDED PART NUMBER	V09002DZ/11

TITLE FIBERRUNNER 12x4 HORIZONTAL 45° ANGLE FITTING (FRH4512X4**, FRH4512X4L**)		PANDUIT
CUSTOMER DRAWING		
ITEM REVISION NAME D37617BN/06	DRAWING NUMBER: 37617-65	
DATASET FILE NAME D37617BN_DC/06B		
MATERIAL: SEE PART NUMBER TABLE ABOVE		
THIRD ANGLE PROJECTION	DRAWING NUMBER: 37617-65	
DRAWN BY JHNU	DATE 12-29-00	CHK HIW
SCALE NONE	SHT 1 OF 1	
		SIZE A

2

1

DI10100DA/20