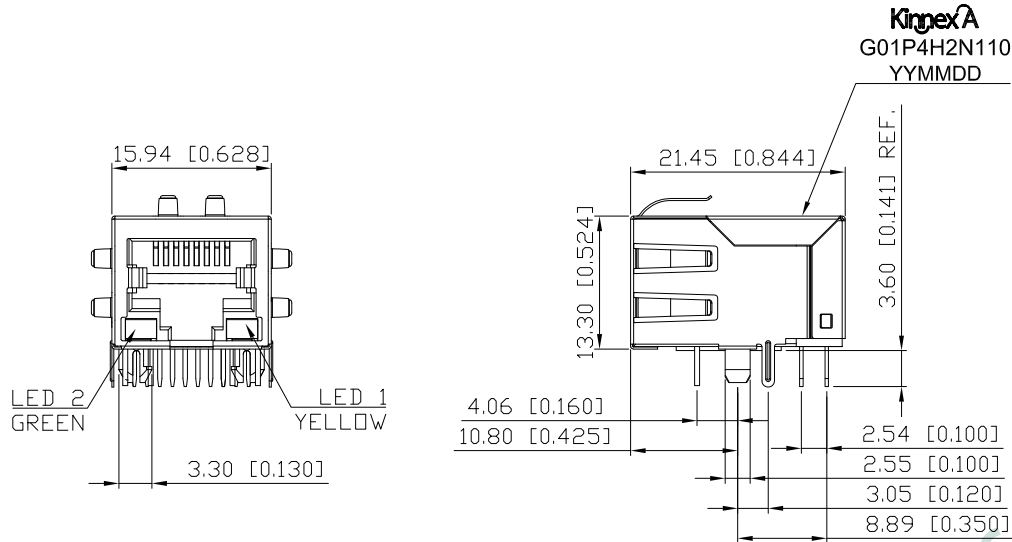


1. MECHANICAL DIMENSIONS :

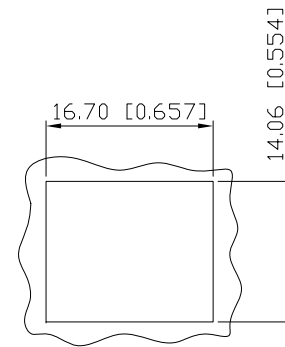
REV.	DATE	DESCRIPTION
01	Jan. 02, '18	1st RELEASE

NOTES:

- MATERIAL:  
HOUSING: HIGH THERMOPLASTIC, UL94V-0, BLACK  
CONTACTS: PHOS-BRONZE, 6u" GOLD PLATING ON CONTACT AREA,  
NICKEL UNDERPLATING OVERALL  
SHIELD: COPPER ALLOY, NICKEL PLATING
- OPERATING TEMPERATURE: -40°C~+85°C
- INSERTION FORCE: 4 POUNDS MAX.  
EXTRACTION FORCE: 4 POUNDS MAX.
- DURABILITY: 750 MATING CYCLED MIN.
- CAVITY CONFORMS TO FCC RULES AND REGULATIONS PART 68,  
SUBPART F.
- UNSPECIFIED TOLERANCE: .XX ±0.25[0.010]  
.X ±0.30[0.012]



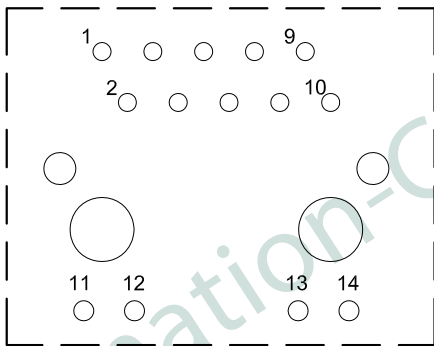
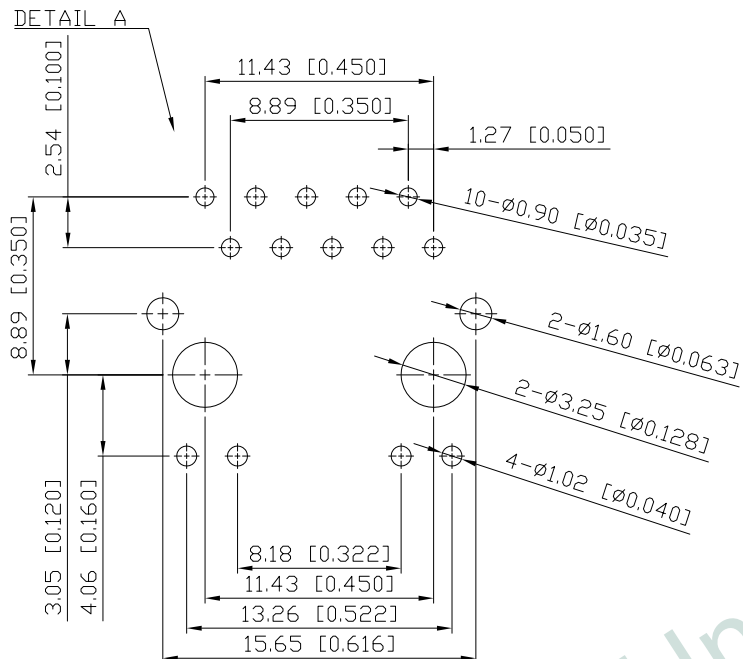
RECOMMENDED PLUG DIMENSION:



RECOMMENDED  
PANEL CUTOUT DIMENSION

PART NO		KRG-01P-4-H2N-110		
TITLE	RJ45, W/1G TRANSFORMER, W/LED, SHIELDED			
REV : 01				
UNIT	DRAWN	CHKD	DATE	SHEET
mm[inch]	CINDY	DANIEL	Jan. 02, '18	1 of 4

2. PCB LAYOUT :



P#	DEFINITION
P1	GND
P2	MD(0)+
P3	MD(0)-
P4	MD(1)+
P5	MD(1)-
P6	MD(2)+
P7	MD(2)-
P8	MD(3)+
P9	MD(3)-
P10	CHS.GND
P11	LEFT GR+
P12	LEFT GR-
P13	RIGHT YE+
P14	RIGHT YE-

SUGGESTED PCB LAYOUT  
(TOP VIEW) SCALE:2:1  
DIMENSIONAL TOLERANCE: .XX ±0.08[0.003]

KRG-01P-4-H2N-110

PRODUCT SERIES  
KRG: LATCH DOWN WITH LED

SHIELDED  
01P: 1 PORT FOR KRG  
W/HORIZONTAL LED PIN

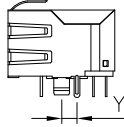
LED COLOR OPTION

CIRCUIT TYPE

SPECIAL CODE  
0: STANDARD

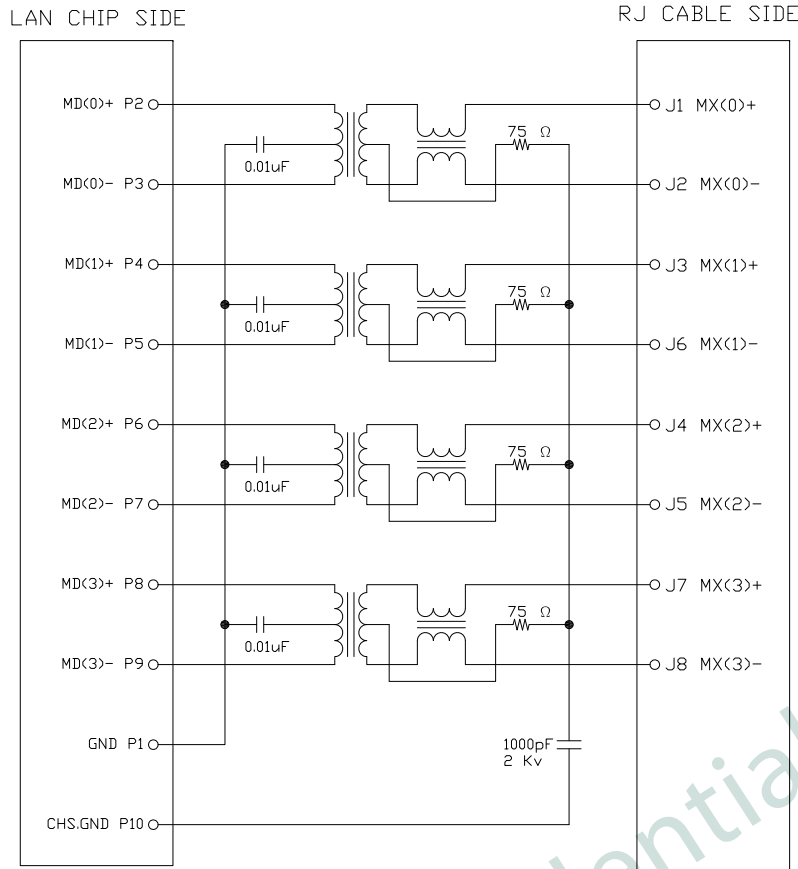
SHIELDED TYPE  
1: Y=3.05mm, EMI FINGER ON ALL SIDE

LED POLARITY  
1: +-, +-



PART NO		KRG-01P-4-H2N-110		
TITLE	RJ45, W/1G TRANSFORMER, W/LED, SHIELDED			
REV : 01				
UNIT	DRAWN	CHKD	DATE	SHEET
mm[inch]	CINDY	DANIEL	Jan. 02, '18	2 of 4

3. SCHEMATIC:



4. ELECTRICAL CHARACTERISTICS :

TEST NOTES:(25±5°C)

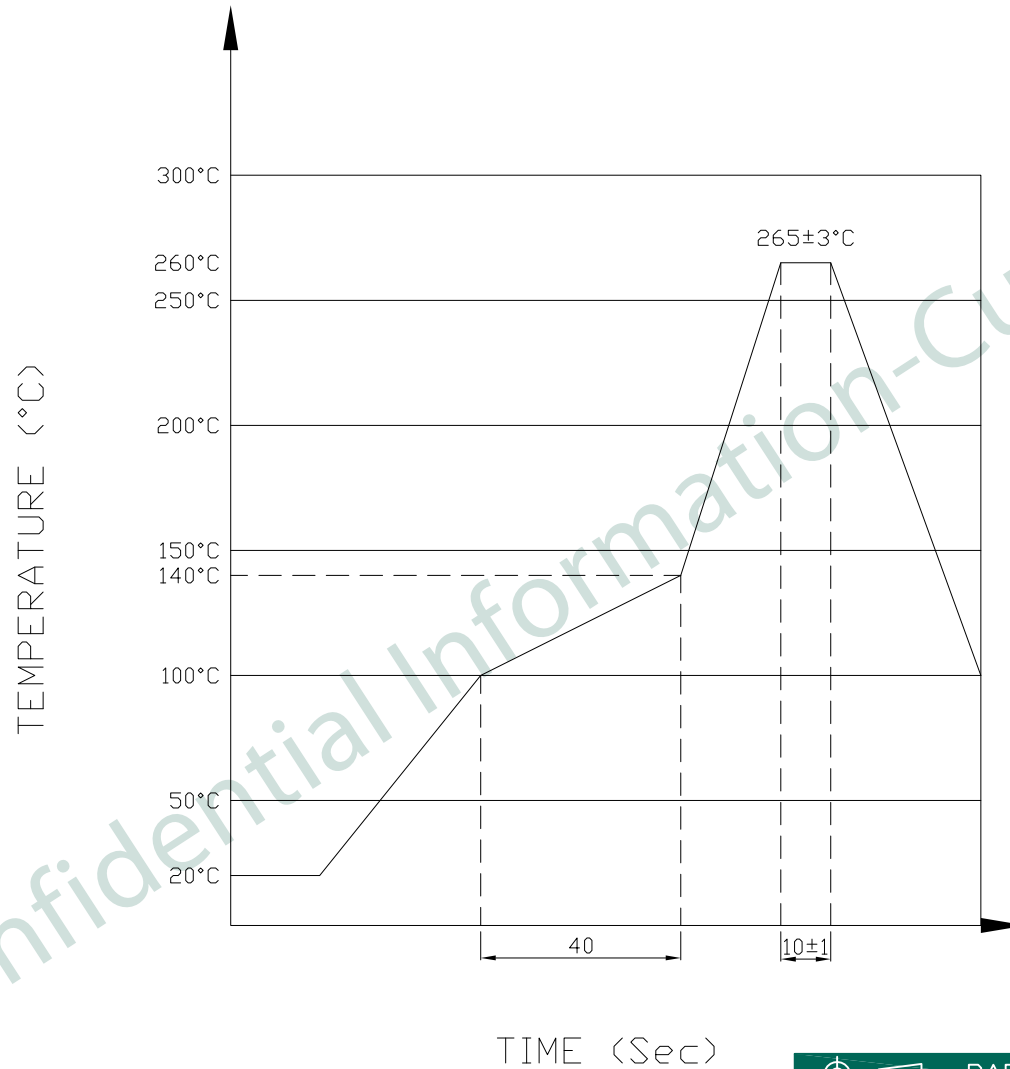
- TR:  
INPUT TO OUTPUT=1:1±3%
- LX:(100KHz,100mV,8mA, DC Bias)  
350uH MINIMUM
- DCR:  
EVERY RJ PAIR=1.2 Ω MAXIMUM
- HIPOT:  
INPUT(RJ SIDE) TO OUTPUT(LAN SIDE):  
1500 VAC/60SEC
- INSERTION LOSS:  
-0.8dB MAXIMUM AT 0.3MHz TO 100MHz  
-1.2dB MAXIMUM AT 100MHz TO 125MHz
- RETURN LOSS:  
-20dB MINIMUM AT 1MHz TO 10MHz  
-16dB MINIMUM AT 30MHz  
-12dB MINIMUM AT 60MHz TO 100MHz
- CROSS TALK:  
-40dB MINIMUM AT 1MHz TO 10MHz  
-35dB MINIMUM AT 30MHz TO 60MHz  
-30dB MINIMUM AT 60MHz TO 100MHz
- COMMON TO COMMON MODE REJECTION:  
-30dB MINIMUM AT 300KHz TO 100MHz



COLOR	VF(V) @20mA		IV(mcd) @20mA	IF(mA)	PEAK WAVE LENGTH λP(nm) @20mA
	TYP	MAX	TYP	TYP	TYP
GREEN	2.2	2.6	10	20	570
YELLOW	2.2	2.6	15	20	588

PART NO		KRG-01P-4-H2N-110		
TITLE	RJ45, W/1G TRANSFORMER, W/LED, SHIELDED			
REV : 01				
UNIT	DRAWN	CHKD	DATE	SHEET
mm[inch]	CINDY	DANIEL	Jan. 02, '18	3 of 4

5. PROFILE OF WAVE SOLDER:



The measuring point for the specified temperature shall be on the soldered part of the lead

PART NO KRG-01P-4-H2N-110				
TITLE	RJ45, W/1G TRANSFORMER, W/LED, SHIELDED			
REV : 01				
UNIT	DRAWN	CHKD	DATE	SHEET
mm[inch]	CINDY	DANIEL	Jan. 02, '18	4 of 4