



MWM In-Fixture Sensor

Intelligent Device
ECOSYSTEM
classic

Stand-alone Line Voltage Control with Microwave Occupancy Sensor

In-Fixture Sensor Electrical Specifications

Input Voltage Range:	120/208-240/277Vac 50/60Hz Input
Relay Load Ratings:	Max 138VA @ 277Vac e-ballast, LED, incandescent Max 120VA @ 208-240Vac e-ballast, LED, incandescent Max 120VA @ 120Vac e-ballast, LED, incandescent
Standby Time Delay Periods:	10 secs to 10 min
Photodiode Sensitivity Range:	1-185 fc
Operating Temperature:	-40°C to +60°C
Operating Humidity:	20-90% non-condensing
Weatherproof Rating:	IP44 for indoor use only
Regulatory Code Compliance:	California Title 24
Safety Certifications:	UL/cUL Listed # E488004

Product Overview:

Introduction:

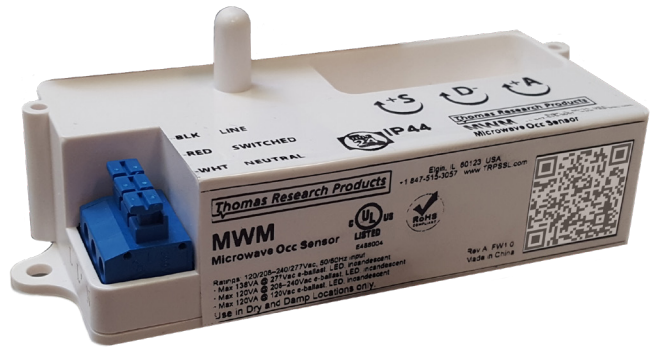
The MWM is a self-contained motion and microwave sensor with line voltage relay designed for installation within lighting fixtures. The sensor uses microwave sensing technology to detect motion in its coverage area and automatically turn off lights when persons have left the area, reducing energy usage. A built-in photodiode provides further savings by daylight harvesting operation.

Operation:

The sensor provides power to connected lights when motion is detected. When the sensor no longer detects movement and the standby time delays expires, the lights are switched off. A set ambient light threshold can keep lights off if there is sufficient natural light, leading to additional energy savings.

Commissioning:

Setup and sensor adjustments are performed via on-unit trim pots, allowing parameter changes to the sensitivity of the microwave detector, standby time delay and ambient light threshold.



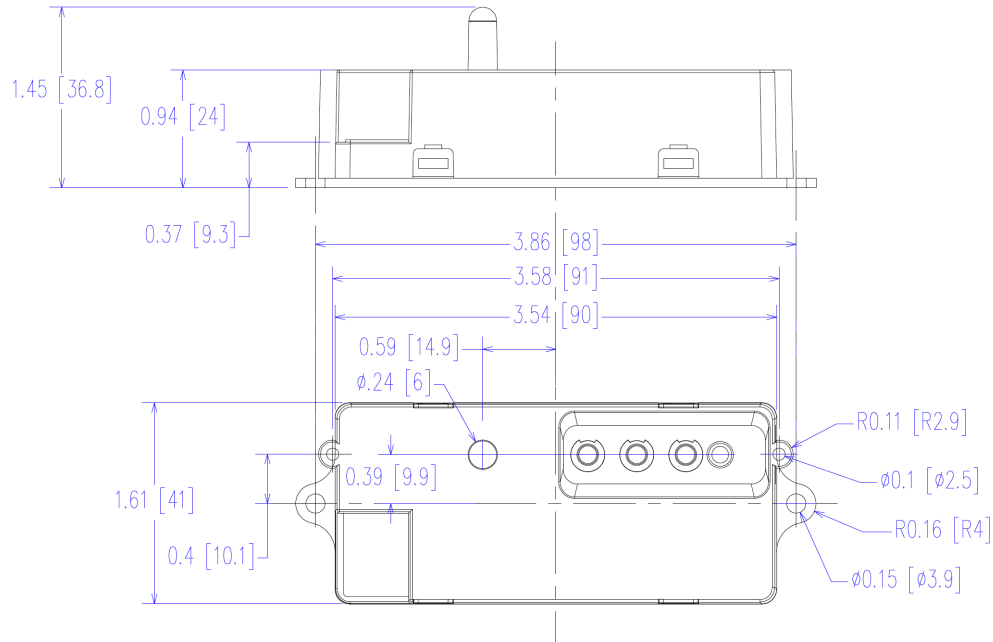
Features:

- Fixture mounted microwave occupancy sensor, with protruding pin antenna allows behind the tray mounting for shadow elimination
- Non-volatile memory, remembers settings even if AC power to module is removed
- Compatible with LED drivers and fluorescent ballasts
- Recommended mounting height from 7' to 20'
- Commission and adjust via built-in potentiometers
- Internal photodiode measures ambient light; sensor can be set to keep lights off for additional energy savings
- Push-down terminal block connection
- UL/cUL listed

Model	Description
MWM	In-Fixture, Microwave Occupancy Sensor

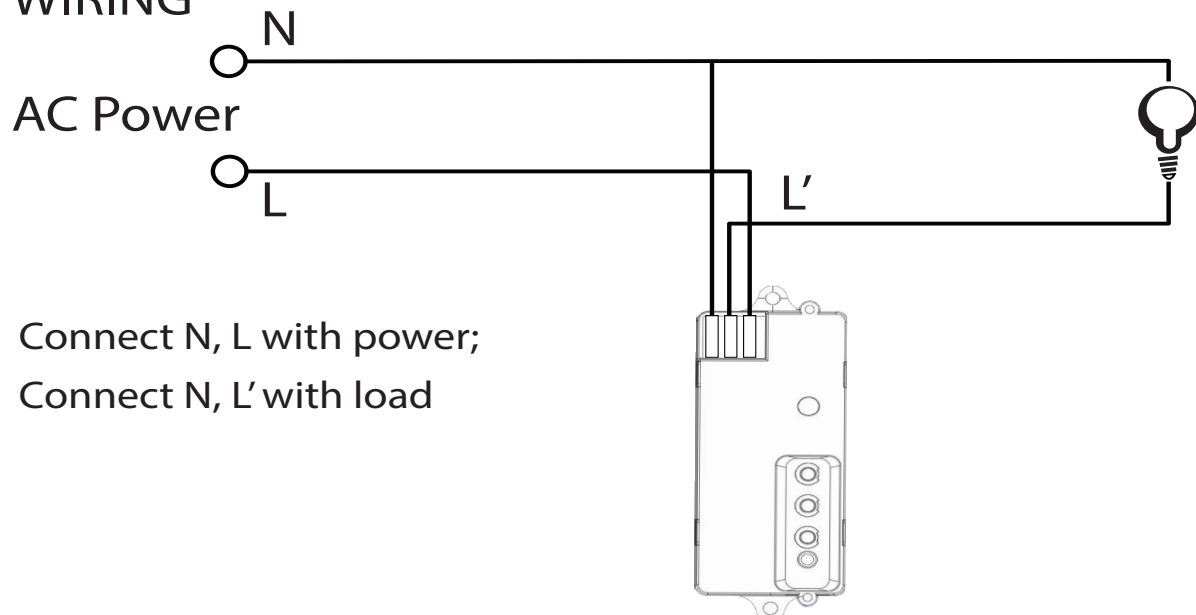
Safety Cert.	Standard
UL/cUL	Listed #E488004

Dimensions



Typical Application Wiring

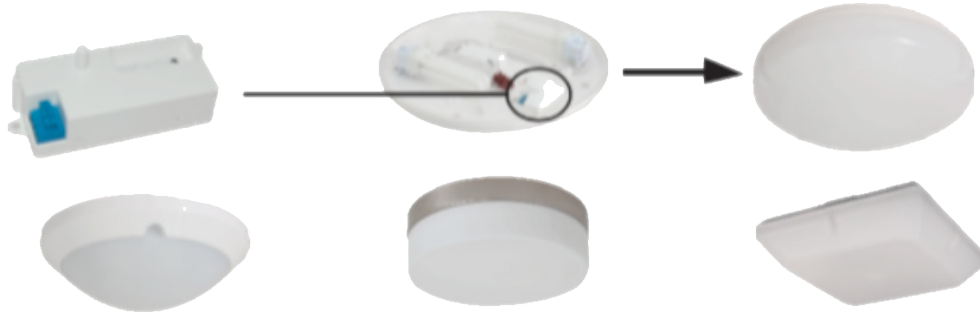
WIRING



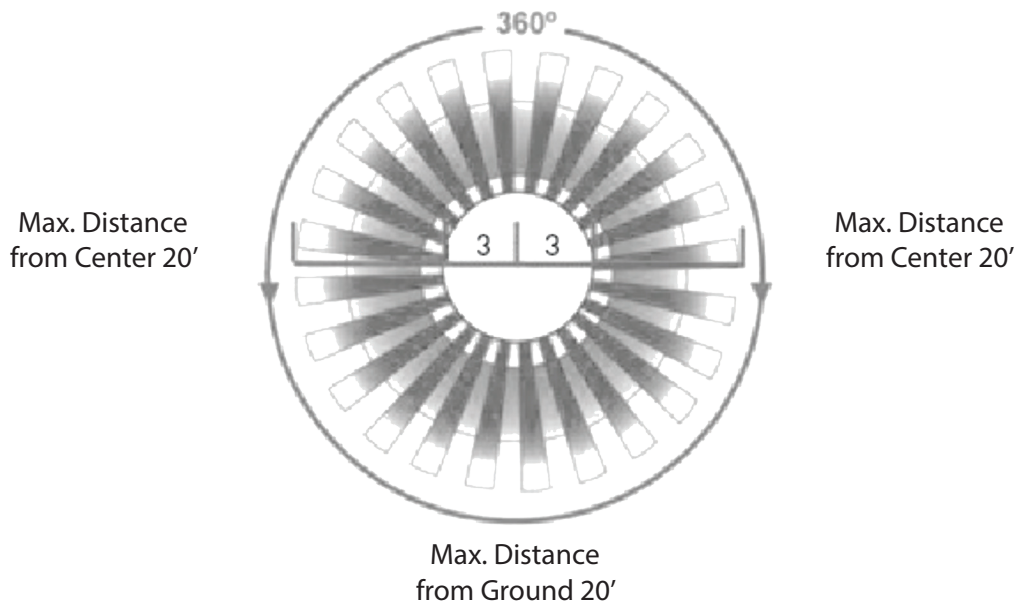
Connect N, L with power;
Connect N, L' with load

Stand-alone Line Voltage Control with PIR Occupancy Sensor

MWM Mounting



Coverage Patterns



Applications:

This low-profile sensor is designed for installation inside the bottom of a light fixture or in a separate chassis. The sensor is ideal for the following applications:

Architectural	Outdoor
Office Meeting Rooms	Parking Garages
Classrooms	Warehouses
Restrooms	ATM's & Kiosks
Supermarkets	Sports Facilities
Gas Stations	Pathway Lighting
Gymnasiums	Street Lighting