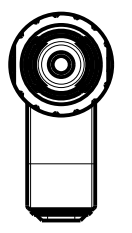
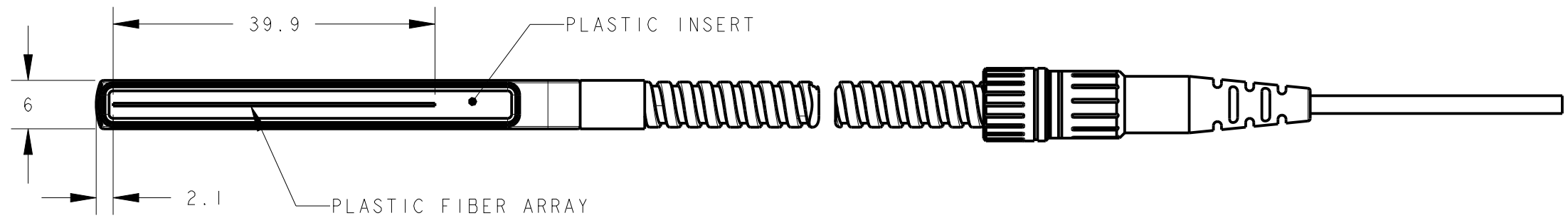
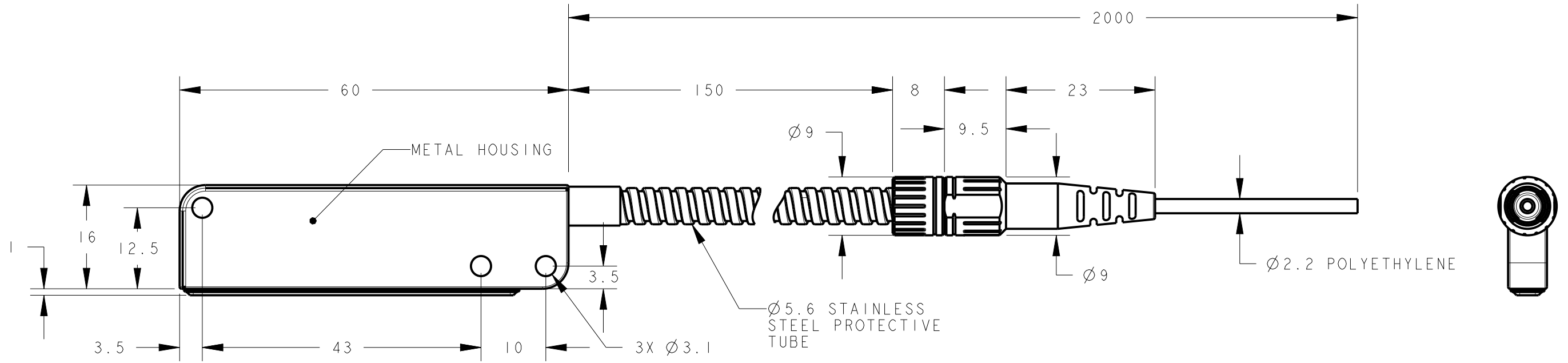


8	7	6	5	4	3	2	1
MODEL NO.	P/N	ASSEMBLY CONSISTS OF A PLASTIC FIBER CABLE COUPLED TO A PLASTIC FIBER ARRAY ASSEMBLY.			1. DIMENSIONAL TOLERANCE +/- 5%		
					2. OPERATING TEMPERATURE -55°C TO +70°C		
					3. MINIMUM BEND RADIUS R40.		
PGIRS66U-40	801980						

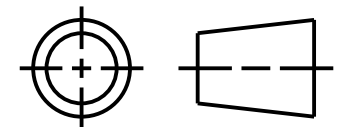


NOTES:
 1. ALL DIMENSIONS ARE MILLIMETERS [INCHES] UNLESS OTHERWISE NOTED.
 2. REFER TO "www.bannerengineering.com" FOR ADDITIONAL DATA AND SPECIFICATIONS.

This drawing is the property of BANNER ENGINEERING CORP. Any use or reproduction, in any form, without prior written permission of Banner is prohibited. © 2015 Banner Engineering Corp.

BANNER BANNER ENGINEERING CORP.
 www.bannerengineering.com

THIRD ANGLE PROJECTION



TITLE
PGIRS66U-40

SIZE B	DRAWING NO. 199251	REV. B
SCALE 3:2	SHEET 1 OF 1	