

W3G300-BV25-21

# EC axial fan

with brushless DC motor

Automotive



## ebm-papst Mulfingen GmbH & Co. KG

Bachmühle 2 · D-74673 Mulfingen

Phone +49 7938 81-0

Fax +49 7938 81-110

info1@de.ebmpapst.com

www.ebmpapst.com

Limited partnership · Headquarters Mulfingen

Amtsgericht (court of registration) Stuttgart · HRA 590344

General partner Elektrobau Mulfingen GmbH · Headquarters Mulfingen

Amtsgericht (court of registration) Stuttgart · HRB 590142

## Nominal data

Type	W3G300-BV25-21	
Motor	M3G084-BF	
Nominal voltage	VDC	26
Nominal voltage range	VDC	16 .. 32
Method of obtaining data		fa
Speed (rpm)	min <sup>-1</sup>	3940
Power consumption	W	380
Current draw	A	14.6
Min. ambient temperature	°C	-40
Max. ambient temperature	°C	85/110

ml = Max. load · me = Max. efficiency · fa = Free air · cs = Customer specification · ce = Customer equipment  
Subject to change



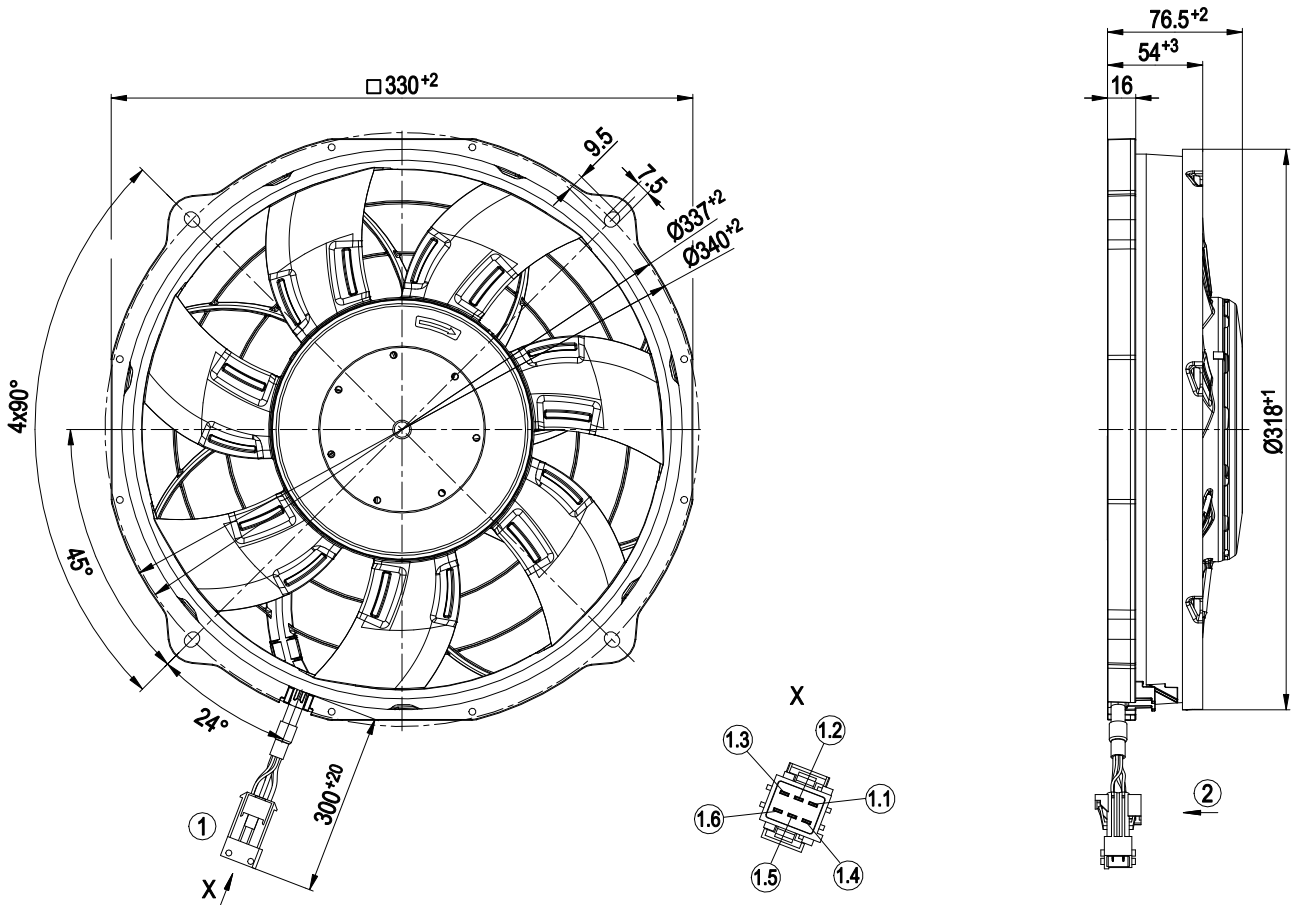
## Technical description

<b>Weight</b>	2 kg
<b>Size</b>	300 mm
<b>Motor size</b>	84
<b>Impeller material</b>	PA plastic
<b>Fan housing material</b>	PA plastic
<b>Number of blades</b>	7
<b>Airflow direction</b>	V
<b>Balancing grade according to DIN ISO 21940-11</b>	G 10
<b>Direction of rotation</b>	Clockwise, viewed toward rotor
<b>Degree of protection</b>	Motor IP24 KM, electronics IP6K9K (mating connector installed)
<b>Insulation class</b>	"B"
<b>Moisture (F) / Environmental (H) protection class</b>	H4
<b>Ambient temperature note</b>	Over +85 °C with power derating
<b>Max. permitted ambient temp. for motor (transport/storage)</b>	+110 °C
<b>Min. permitted ambient temp. for motor (transport/storage)</b>	-40 °C
<b>Installation position</b>	Any
<b>Condensation drainage holes</b>	None, open rotor
<b>Mode</b>	S1
<b>Motor bearing</b>	Ball bearing; (sealed)
<b>Life expectancy</b>	40,000 h (typical)
<b>Technical features</b>	<ul style="list-style-type: none"> <li>- Lowering input</li> <li>- Fault output (high-side switch max. 30 mA)</li> <li>- INVLIN (inverse linear control input)</li> <li>- Power limiter</li> <li>- Load dump (58 V)</li> <li>- Motor current limitation</li> <li>- Soft start</li> <li>- Control input 0-10 VDC / PWM</li> <li>- Temperature derating</li> <li>- Overvoltage detection</li> <li>- Thermal overload protection for electronics</li> <li>- Line undervoltage detection</li> </ul>
<b>EMC regulations</b>	ECE R10 Rev. 3
<b>Electrical hookup</b>	Connector with cable; Standby current less than 500 µA
<b>Motor protection</b>	Reverse polarity and locked-rotor protection
<b>With cable</b>	Lateral
<b>Protection class assignment</b>	<p>III; Requires supply with safety extra-low voltage SELV.</p> <p>This component for installation may have several local protection classes. This information relates to this component's basic design.</p> <p>The final protection class is based on the component's intended installation and connection.</p>
<b>Approval</b>	E1; EAC
<b>Comment</b>	Type approval number – 036433

# EC axial fan

with brushless DC motor  
Automotive

Product drawing



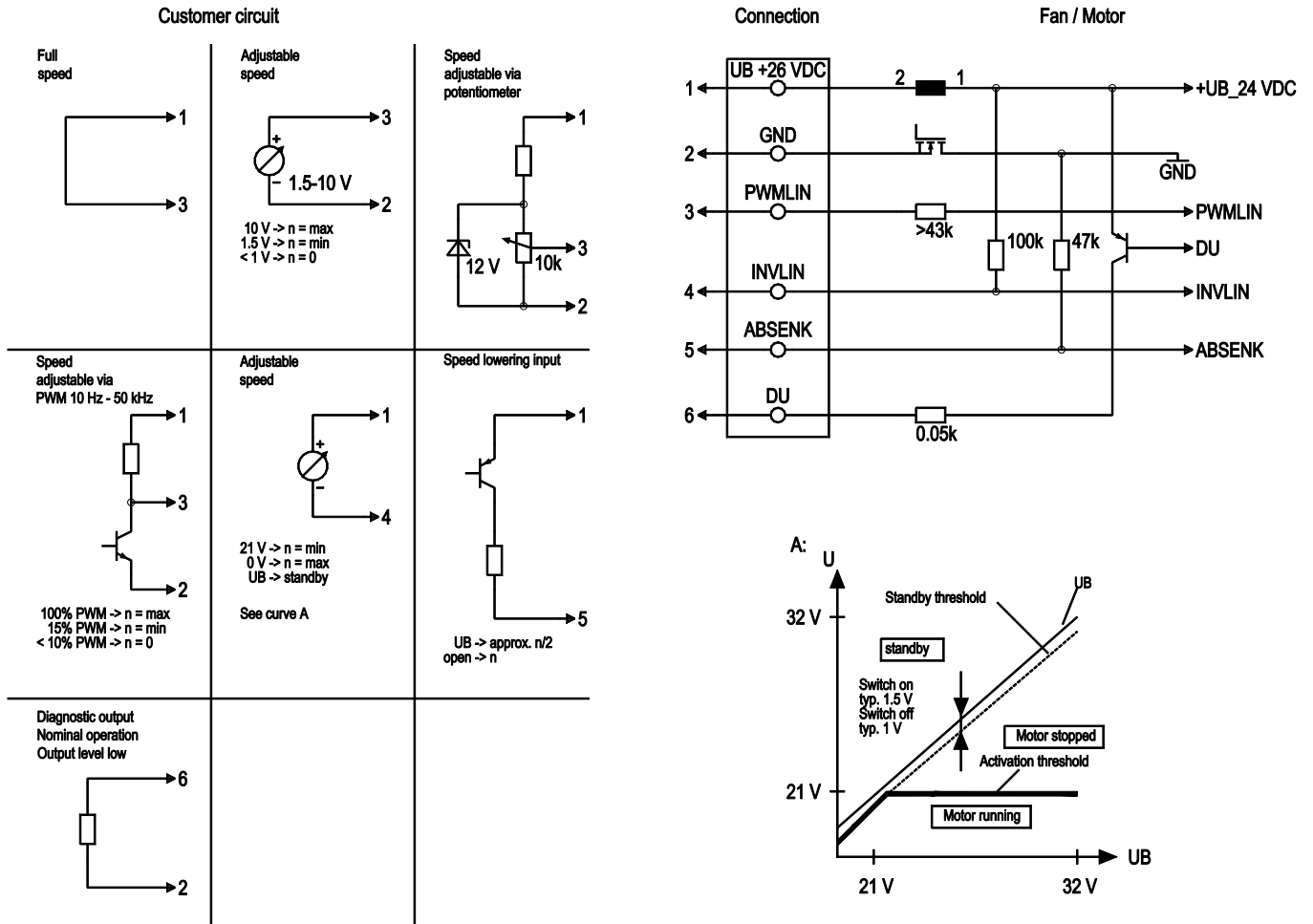
1	Cable FLRYW 2x 3 mm <sup>2</sup> , 4x 0.75 mm <sup>2</sup> 6-pole connector housing TE 1-962349-1, 2x flat plug TE 2-962916-1, 4x flat plug TE 1-962915-1 1x seal TE 963205-1, 2x seal TE 828905-1, 4x seal TE 828904-1
1.1	+ UB
1.2	GND
1.3	PWM/LIN
1.4	INVLIN
1.5	ABSENK
1.6	Diagnostic output
	Accessory part: Cable (460 mm) with mating connector, part no. 02002-4-1021 not included in scope of delivery 6-pole mating connector TE 1-963212-1, 4x receptacle TE 929939-1, 2x receptacle TE 929937-1
2	Airflow direction "V"



# EC axial fan

with brushless DC motor  
Automotive

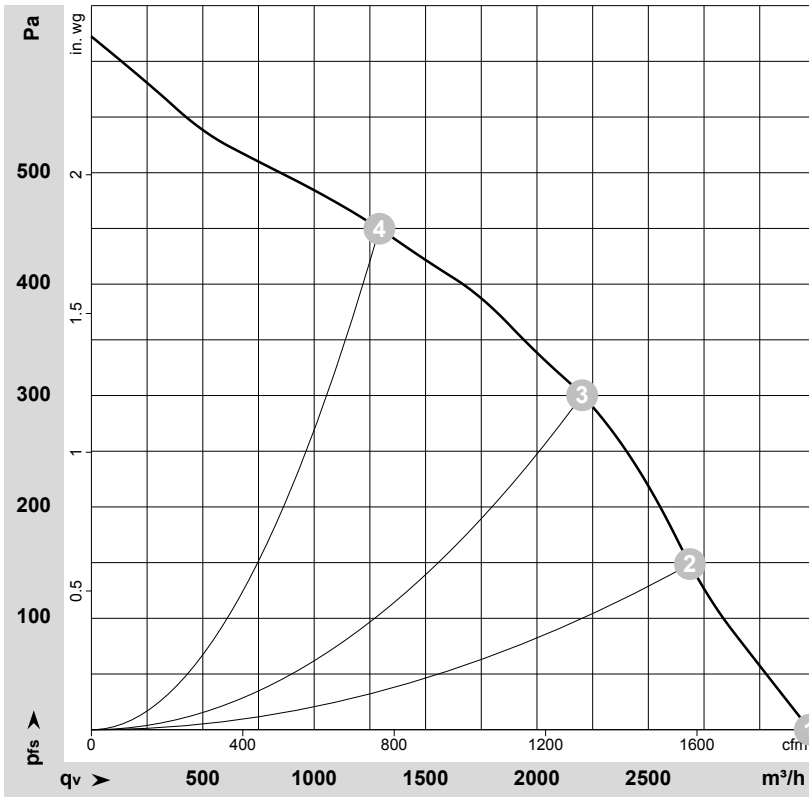
## Connection diagram



No.	Conn.	Designation	Function/assignment
1	UB +26 VDC	UB +26 VDC	Power supply 26 VDC
2	GND	GND	Power supply GND, reference ground
3	PWMLIN	PWMLIN	Analog voltage control input 0-10 V or PWM
4	INVLIN	INVLIN	Control input, inverse linear
5	ABSENK	ABSENK	Lowering input
6	DU	DU	Diagnostic output



## Curves: Air performance



$\rho = 1.15 \text{ kg/m}^3 \pm 2 \%$

Measurement: LU-141116-1

Air performance measured according to ISO 5801 installation category A. For detailed information on the measurement setup, contact ebmpapst. Intake sound level: Sound power level according to ISO 13347 / sound pressure level measured at 1 m distance from fan axis. The values given are valid under the specified measuring conditions and may vary due to conditions of installation. For deviations from the standard configuration, the parameters have to be checked on the installed unit.

## Measured values

	U	n	P <sub>ed</sub>	I	LpA <sub>in</sub>	LwA <sub>in</sub>	q <sub>v</sub>	p <sub>fs</sub>	q <sub>v</sub>	p <sub>fs</sub>
	V	min <sup>-1</sup>	W	A	dB(A)	dB(A)	m <sup>3</sup> /h	Pa	cfm	in. wg
1	26	3940	380	14.60	79	87	3225	0	1900	0.00
2	26	3820	405	15.55	79	87	2685	150	1580	0.60
3	26	3725	460	17.63	78	86	2205	300	1295	1.20
4	26	3620	504	19.36	82	89	1295	450	760	1.81

U = Voltage · n = Speed (rpm) · P<sub>ed</sub> = Power consumption · I = Current draw · LpA<sub>in</sub> = Sound pressure level intake side · LwA<sub>in</sub> = Sound power level intake side · q<sub>v</sub> = Air flow  
p<sub>fs</sub> = Pressure increase

