

MATERIALS AND FINISHES

BODY ZINC ALLOY
 PLATED BRIGHT TIN 100 MICROINCHES MIN.

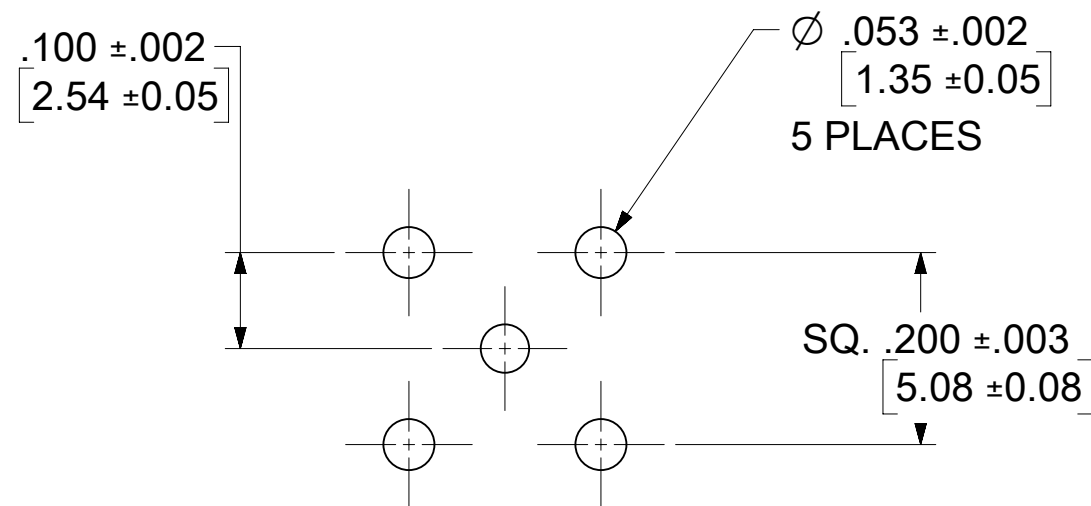
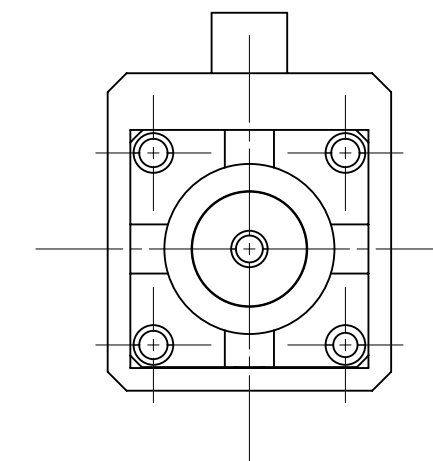
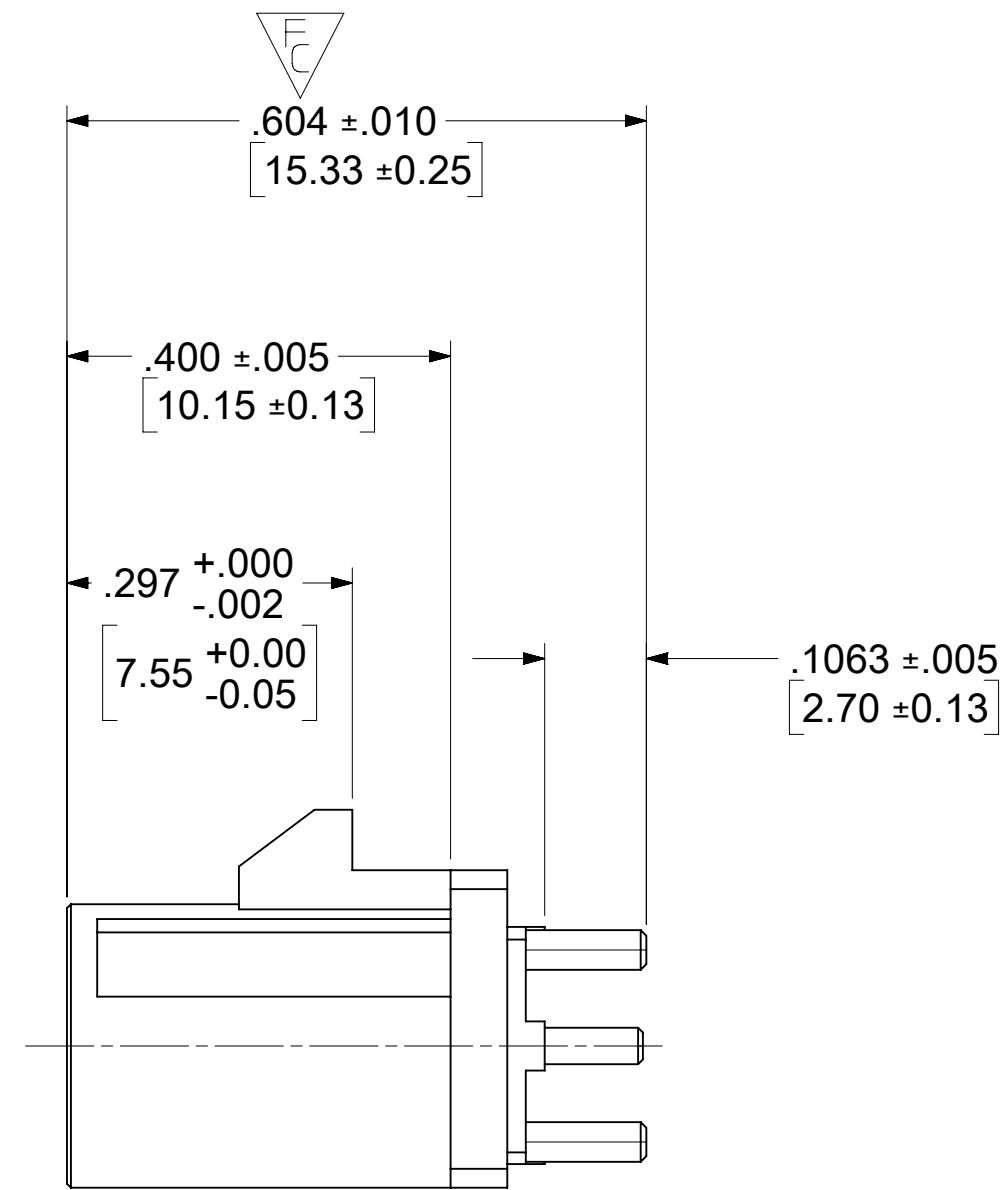
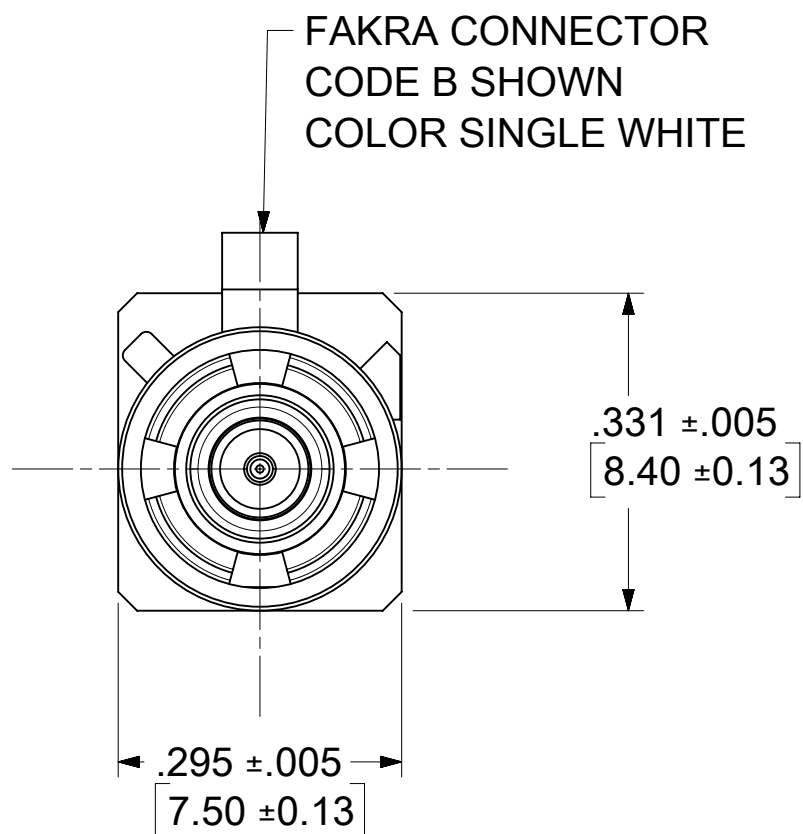
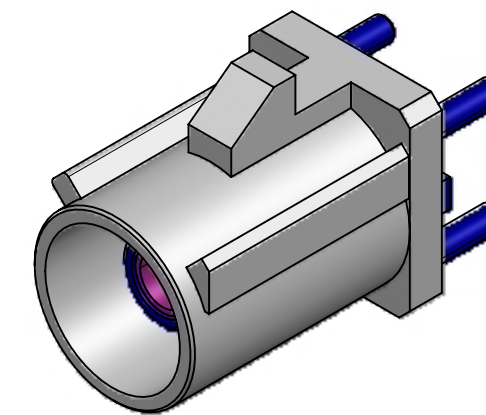
CENTER CONTACT BRASS
 PLATED GOLD 5 MICROINCHES MIN. OVER
 NICKEL 50 MICROINCHES MIN.

OUTER CASING NYLON46 30GF (STANYL TS200F6)
 KEYING CODE B
 COLOR SINGLE WHITE

INSULATOR TEFLON

RETENTION SPECIFICATION:

THE FAKRA CONNECTOR SHROUD WILL WITHSTAND
 A LONGITUDINAL FORCE OF 110 N (24.75 LBS)



RECOMMENDED PCB LAYOUT

PART # 73403-5561

PS-89675-3310	PRODUCT SPECIFICATION
MIL-STD-348A, FIG. 311.1	INTERFACE SPECIFICATION
SPECIFICATION	DESCRIPTION

FUNCTIONAL SYMBOLS $\nabla_A = 0$ $\nabla_C = 0$ $\nabla_P = 0$	THIS DRAWING CONTAINS INFORMATION THAT IS PROPRIETARY TO MOLEX ELECTRONIC TECHNOLOGIES, LLC AND SHOULD NOT BE USED WITHOUT WRITTEN PERMISSION	SCALE		CURRENT REV DESC:									
	DIMENSION UNITS	INCH/MM	SCALE	NTS	GENERAL TOLERANCES (UNLESS SPECIFIED)								
	DIVISIONAL SYMBOLS	4 PLACES	±	ANGULAR TOL	± 2.0°	EC NO: 719496	DRWN: ELIN	2022/08/17	SMB JACK, FAKRA, VERTICAL PCB, 50 OHM SMB-J/PCB, EWR # 14535				
	3 PLACES	±	2 PLACES	±	1 PLACE	±	0 PLACES	±	INITIAL REVISION:	DRWN: ELIN	2010/01/20	APPR: YCHENG	2022/08/30
DRAFT WHERE APPLICABLE MUST REMAIN WITHIN DIMENSIONS		THIRD ANGLE PROJECTION		DRAWING		SERIES		MATERIAL NUMBER		CUSTOMER		SHEET NUMBER	
				C-SIZE		73403		SEE TABLE		GENERAL MARKET		1 OF 8	
								SD-73403-556		PSD 001		A4	

DOCUMENT STATUS	P1	RELEASE DATE	2022/08/30	08:30:37
-----------------	----	--------------	------------	----------

MATERIALS AND FINISHES

BODY ZINC ALLOY
 PLATED BRIGHT TIN 100 MICROINCHES MIN.

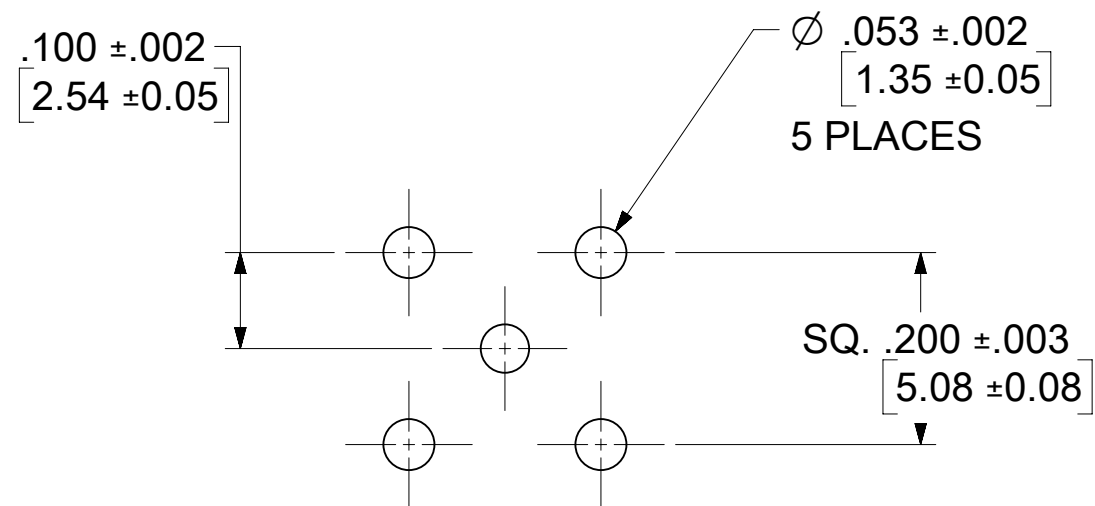
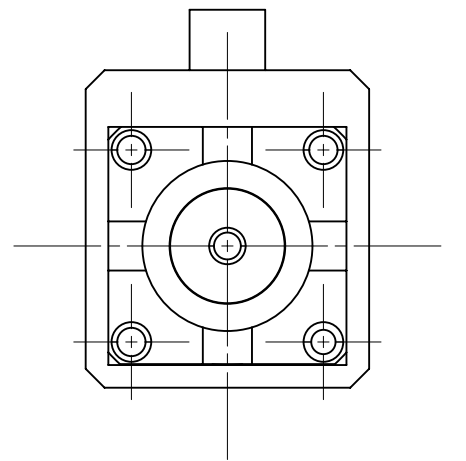
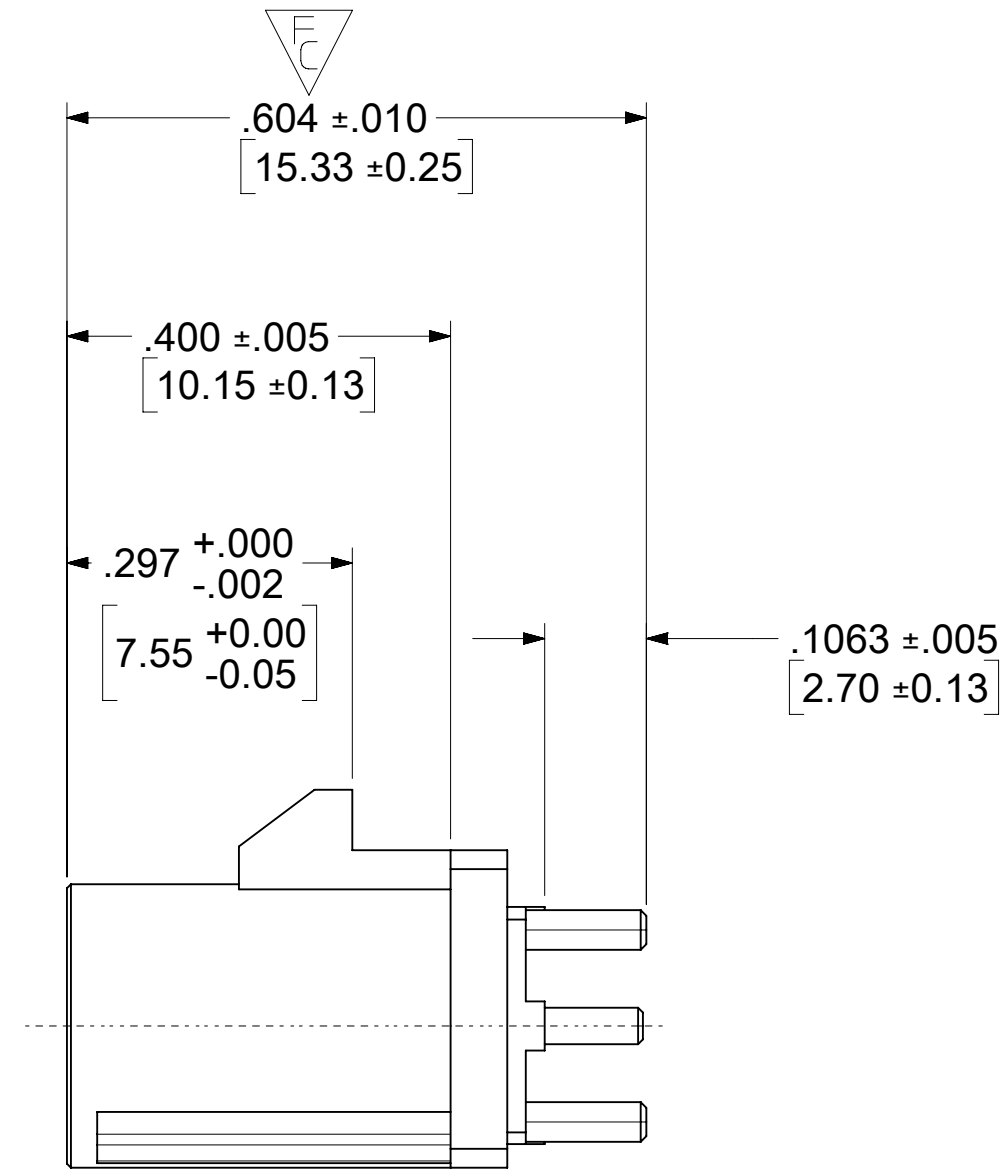
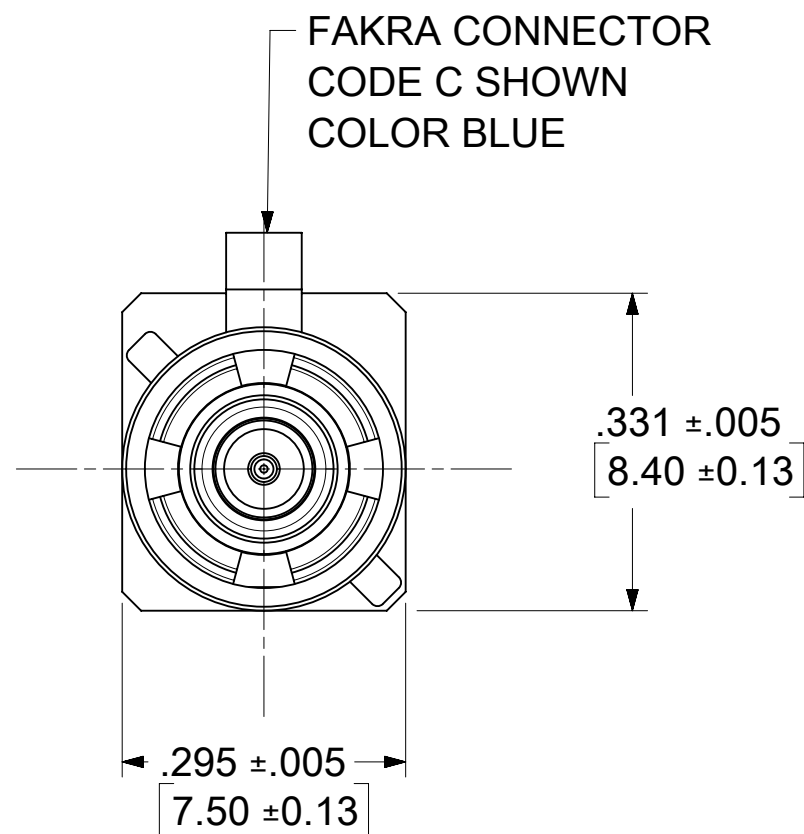
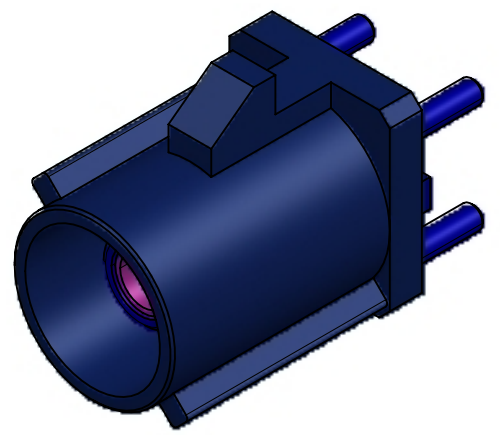
CENTER CONTACT BRASS
 PLATED GOLD 5 MICROINCHES MIN. OVER
 NICKEL 50 MICROINCHES MIN.

OUTER CASING NYLON46 30GF (STANYL TS200F6)
 KEYING CODE C
 COLOR BLUE

INSULATOR TEFLON

RETENTION SPECIFICATION:

THE FAKRA CONNECTOR SHROUD WILL WITHSTAND
 A LONGITUDINAL FORCE OF 110 N (24.75 LBS)



RECOMMENDED PCB LAYOUT

PART # 73403-5562

PS-89675-3310	PRODUCT SPECIFICATION
MIL-STD-348A, FIG. 311.1	INTERFACE SPECIFICATION
SPECIFICATION	DESCRIPTION

FUNCTIONAL SYMBOLS $\frac{F}{A} = 0$ $\frac{E}{C} = 0$ $\frac{E}{P} = 0$	THIS DRAWING CONTAINS INFORMATION THAT IS PROPRIETARY TO MOLEX ELECTRONIC TECHNOLOGIES, LLC AND SHOULD NOT BE USED WITHOUT WRITTEN PERMISSION	CURRENT REV DESC:						
	DIMENSION UNITS	SCALE						
	INCH/MM	NTS						
	GENERAL TOLERANCES (UNLESS SPECIFIED)							
DIVISIONAL SYMBOLS 4 PLACES ± 3 PLACES ± 2 PLACES ± 1 PLACE ± 0 PLACES ±	ANGULAR TOL ± 2.0°	EC NO: 719496	2022/08/17	SMB JACK, FAKRA, VERTICAL PCB, 50 OHM SMB-J/PCB, EWR # 14535				
		DRWN: ELIN	2022/08/30					
		CHK'D: YCHENG	2022/08/30					
		APPR: YCHENG	2022/08/30					
	DRAFT WHERE APPLICABLE MUST REMAIN WITHIN DIMENSIONS	THIRD ANGLE PROJECTION	DRAWING	SERIES	DOCUMENT NUMBER	DOC TYPE	DOC PART	REVISION
			C-SIZE	73403	SD-73403-556	PSD	001	A4
					SEE TABLE	GENERAL MARKET		2 OF 8

DOCUMENT STATUS	P1	RELEASE DATE	2022/08/30	08:30:37
-----------------	----	--------------	------------	----------

MATERIALS AND FINISHES

BODY ZINC ALLOY
 PLATED BRIGHT TIN 100 MICROINCHES MIN.

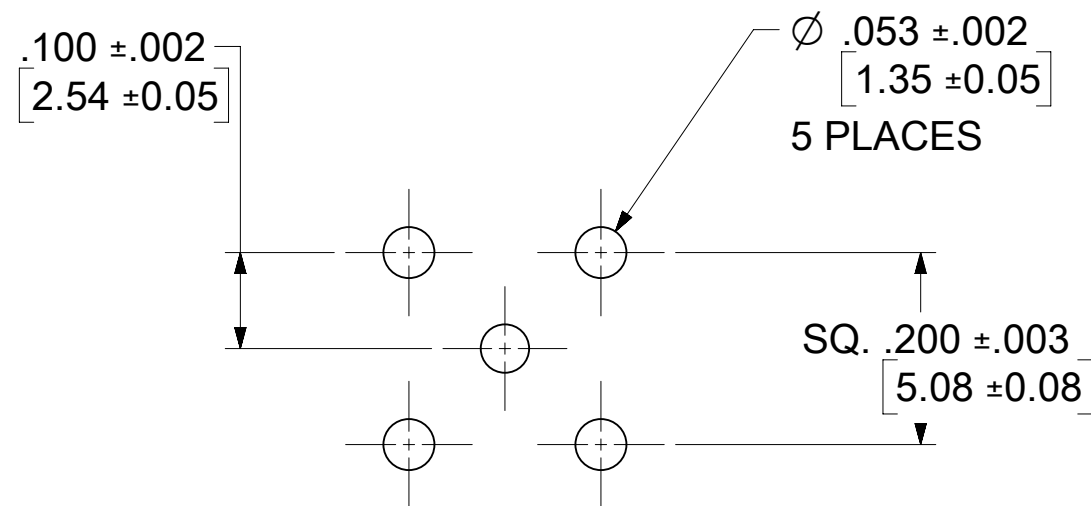
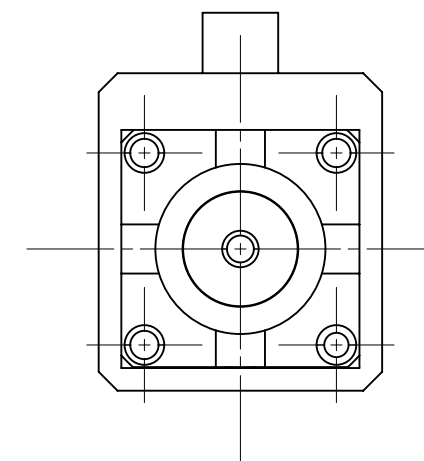
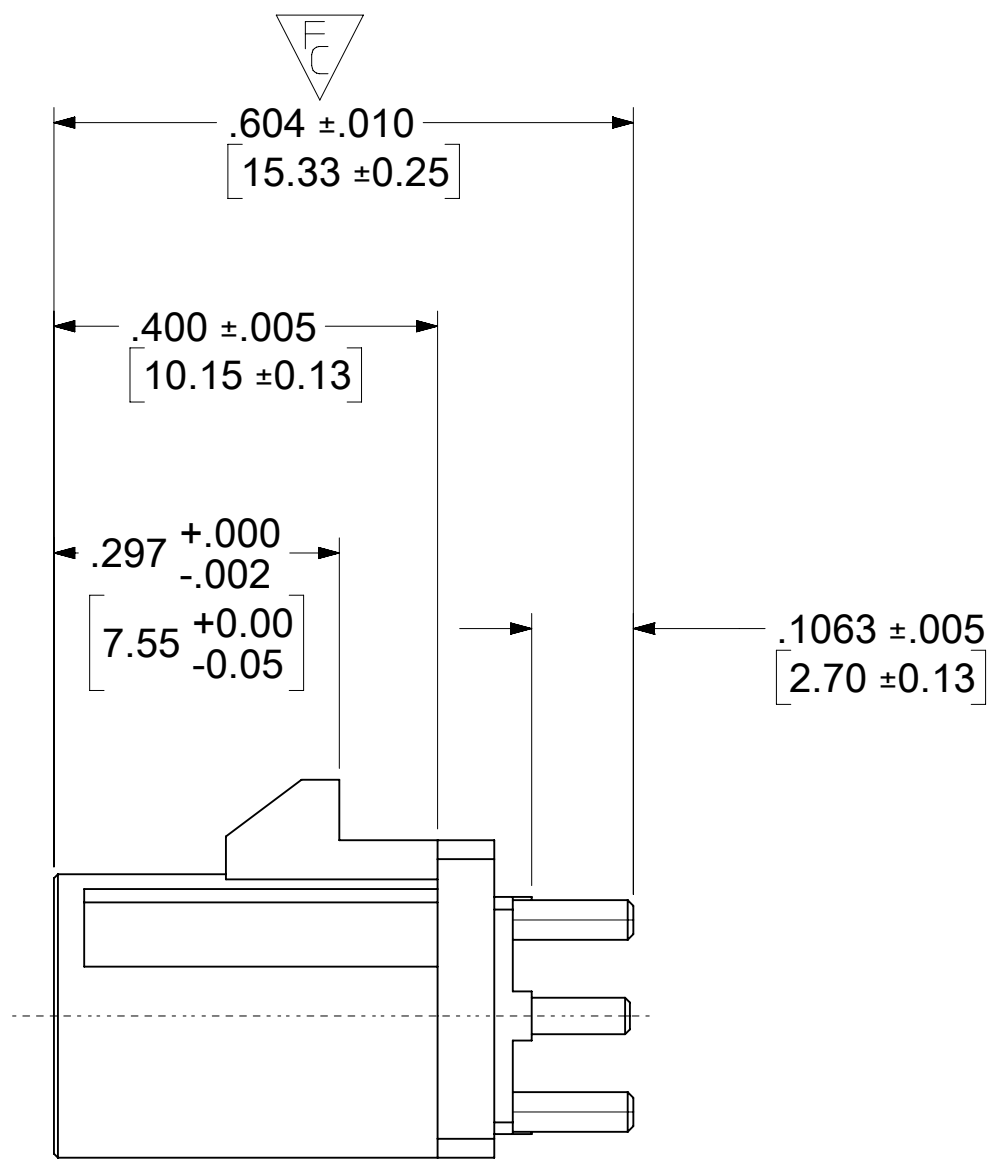
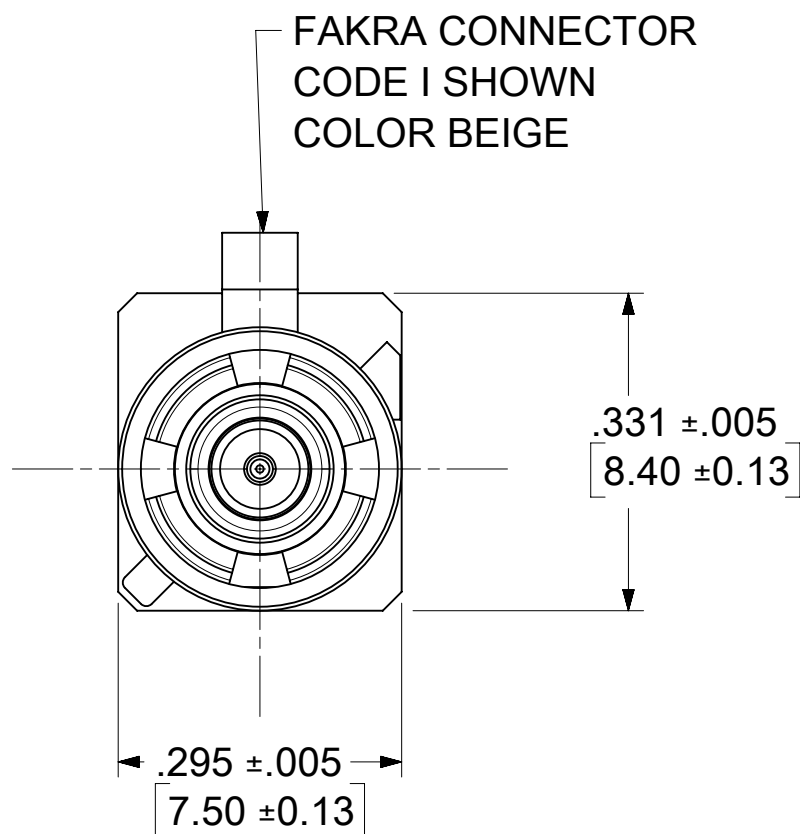
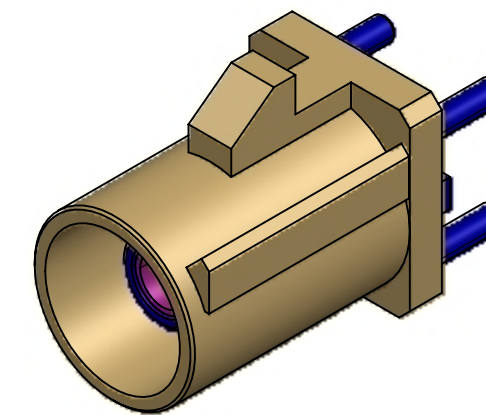
CENTER CONTACT BRASS
 PLATED GOLD 5 MICROINCHES MIN. OVER
 NICKEL 50 MICROINCHES MIN.

OUTER CASING NYLON46 30GF (STANYL TS200F6)
 KEYING CODE I
 COLOR BEIGE

INSULATOR TEFLON

RETENTION SPECIFICATION:

THE FAKRA CONNECTOR SHROUD WILL WITHSTAND
 A LONGITUDINAL FORCE OF 110 N (24.75 LBS)



RECOMMENDED PCB LAYOUT

PART # 73403-5568

PS-89675-3310	PRODUCT SPECIFICATION
MIL-STD-348A, FIG. 311.1	INTERFACE SPECIFICATION
SPECIFICATION	DESCRIPTION

FUNCTIONAL SYMBOLS $\nabla_A = 0$ $\nabla_C = 0$ $\nabla_P = 0$	THIS DRAWING CONTAINS INFORMATION THAT IS PROPRIETARY TO MOLEX ELECTRONIC TECHNOLOGIES, LLC AND SHOULD NOT BE USED WITHOUT WRITTEN PERMISSION	SCALE		CURRENT REV DESC:				
	DIMENSION UNITS	INCH/MM	NTS			EC NO: 719496 DRWN: ELIN 2022/08/17 CHK'D: YCHENG 2022/08/30 APPR: YCHENG 2022/08/30		
	GENERAL TOLERANCES (UNLESS SPECIFIED)	ANGULAR TOL ± 2.0°						
	DIVISIONAL SYMBOLS	4 PLACES ±	3 PLACES ±				INITIAL REVISION:	
		2 PLACES ±	1 PLACE ±	DRWN: ELIN 2010/01/20	DOCUMENT NUMBER	DOC TYPE	DOC PART	REVISION
		0 PLACES ±		APPR: MHUANG 2010/01/27	SD-73403-556	PSD	001	A4
	DRAFT WHERE APPLICABLE MUST REMAIN WITHIN DIMENSIONS	THIRD ANGLE PROJECTION	DRAWING	SERIES	MATERIAL NUMBER	CUSTOMER	SHEET NUMBER	
			C-SIZE	73403	SEE TABLE	GENERAL MARKET	3 OF 8	

DOCUMENT STATUS	P1	RELEASE DATE	2022/08/30	08:30:37
-----------------	----	--------------	------------	----------

MATERIALS AND FINISHES

BODY ZINC ALLOY
 PLATED BRIGHT TIN 100 MICROINCHES MIN.

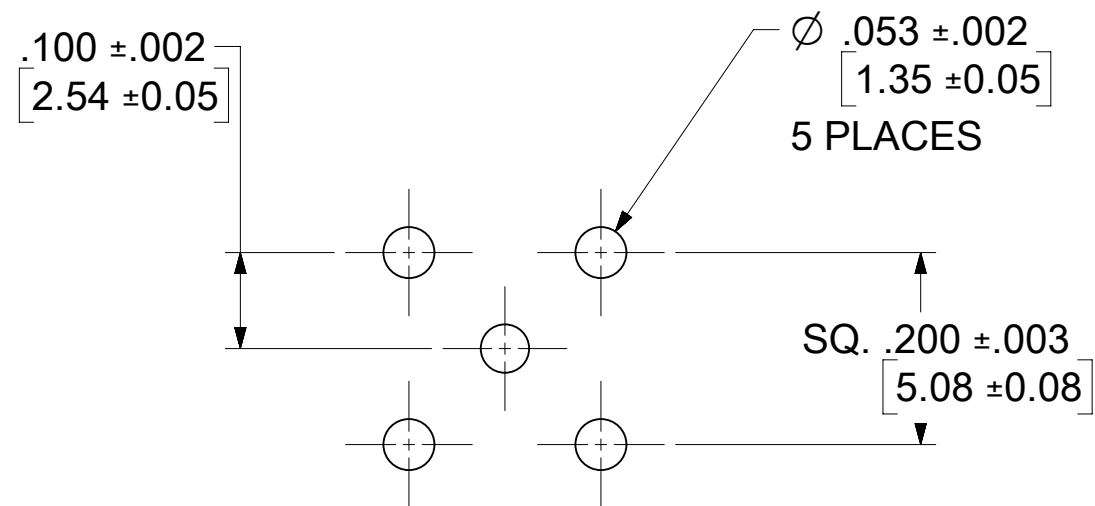
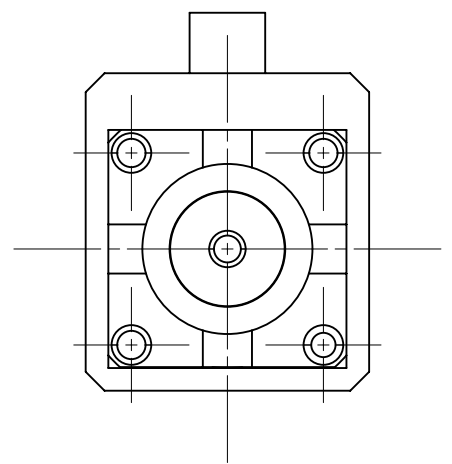
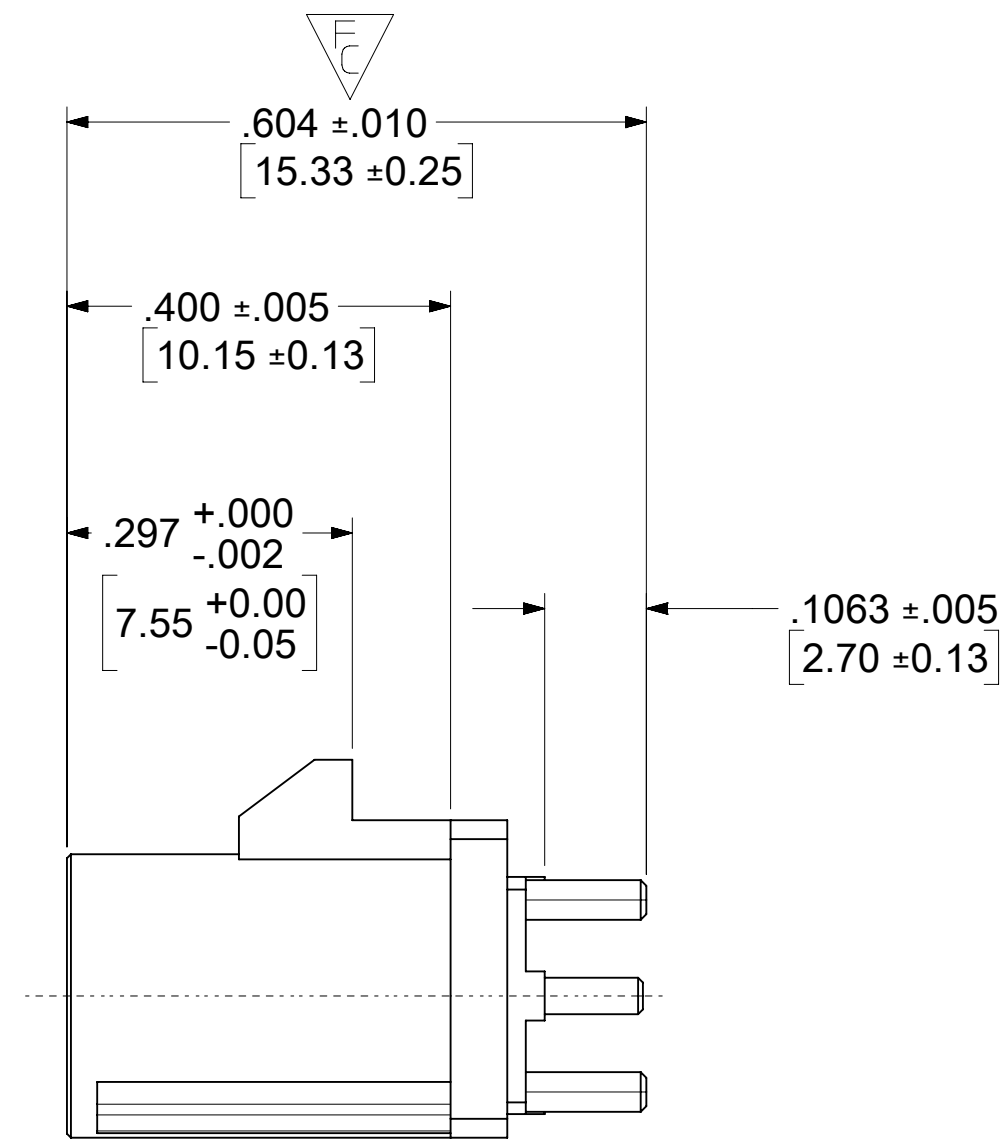
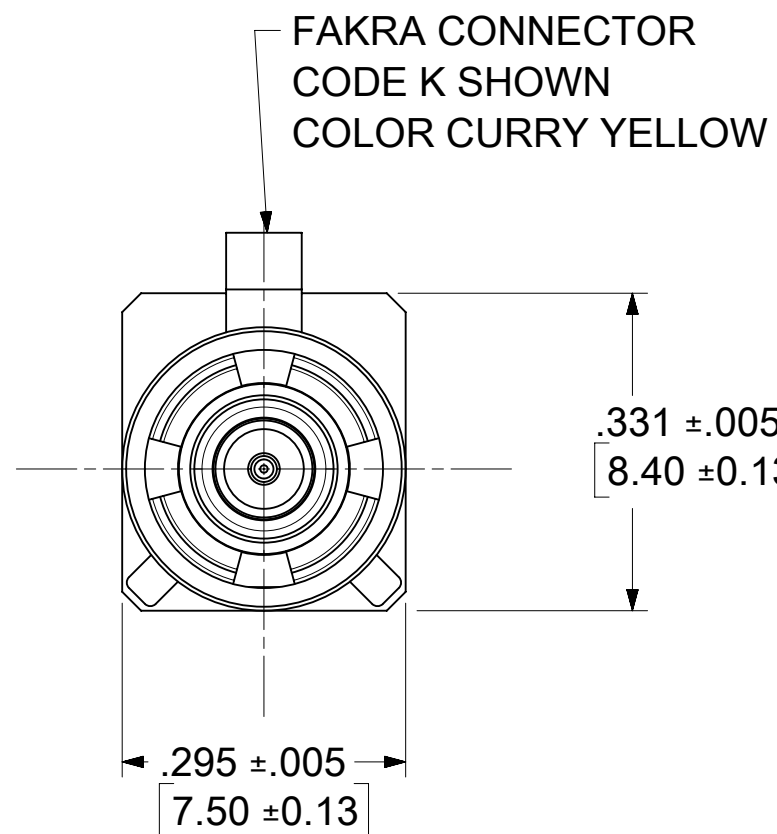
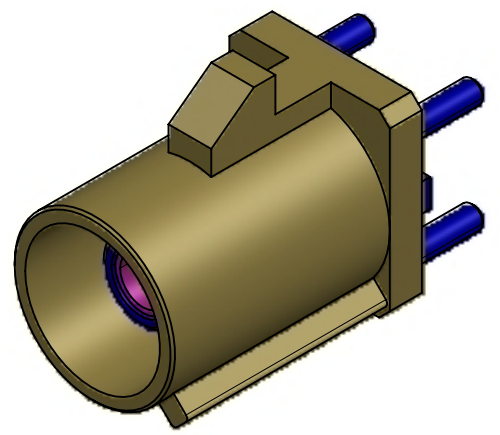
CENTER CONTACT BRASS
 PLATED GOLD 5 MICROINCHES MIN. OVER
 NICKEL 50 MICROINCHES MIN.

OUTER CASING NYLON46 30GF (STANYL TS200F6)
 KEYING CODE K
 COLOR CURRY YELLOW

INSULATOR TEFLON

RETENTION SPECIFICATION:

THE FAKRA CONNECTOR SHROUD WILL WITHSTAND
 A LONGITUDINAL FORCE OF 110 N (24.75 LBS)



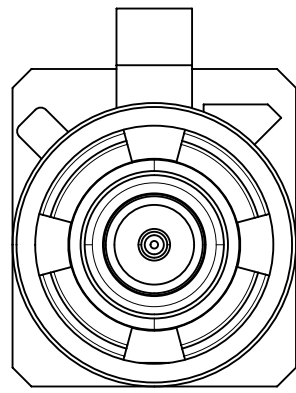
RECOMMENDED PCB LAYOUT

PART # 73403-5569

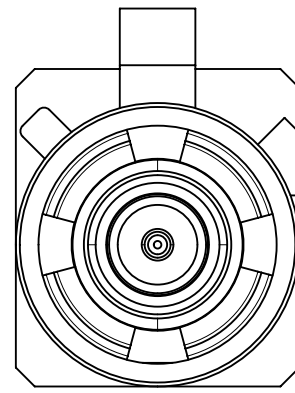
PS-89675-3310	PRODUCT SPECIFICATION
MIL-STD-348A, FIG. 311.1	INTERFACE SPECIFICATION
SPECIFICATION	DESCRIPTION

FUNCTIONAL SYMBOLS FA = 0 FC = 0 FP = 0	THIS DRAWING CONTAINS INFORMATION THAT IS PROPRIETARY TO MOLEX ELECTRONIC TECHNOLOGIES, LLC AND SHOULD NOT BE USED WITHOUT WRITTEN PERMISSION		CURRENT REV DESC:		molex				
	DIMENSION UNITS	SCALE	EC NO: 719496						
	INCH/MM	NTS	DRWN: ELIN 2022/08/17						
	GENERAL TOLERANCES (UNLESS SPECIFIED)		CHK'D: YCHENG 2022/08/30						
DIVISIONAL SYMBOLS	ANGULAR TOL ± 2.0°		APPR: YCHENG 2022/08/30		PRODUCT CUSTOMER DRAWING				
	4 PLACES ±	INITIAL REVISION:							
	3 PLACES ±	DRWN: ELIN 2010/01/20							
	2 PLACES ±	APPR: MHUANG 2010/01/27							
1 PLACE ±	DRAFT WHERE APPLICABLE MUST REMAIN WITHIN DIMENSIONS		THIRD ANGLE PROJECTION	DRAWING	SERIES	DOCUMENT NUMBER	DOC TYPE	DOC PART	REVISION
0 PLACES ±	C-SIZE		73403	SD-73403-556	PSD	001	A4	SHEET NUMBER	
SEE TABLE		GENERAL MARKET		4 OF 8					

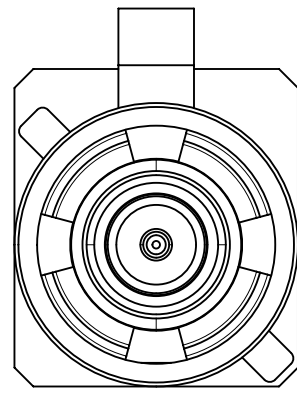
DOCUMENT STATUS	P1	RELEASE DATE	2022/08/30	08:30:37
-----------------	----	--------------	------------	----------



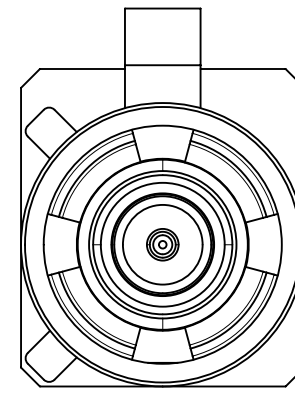
CODE A



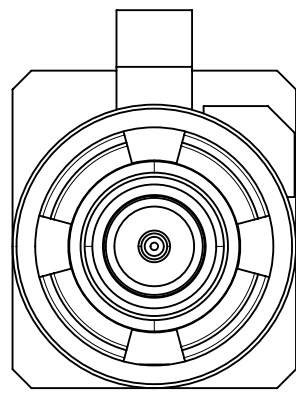
CODE B



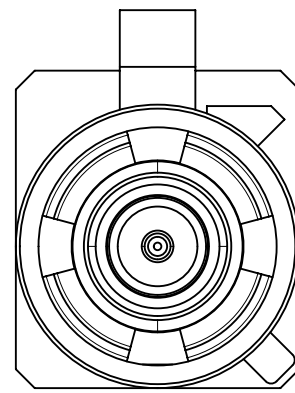
CODE C



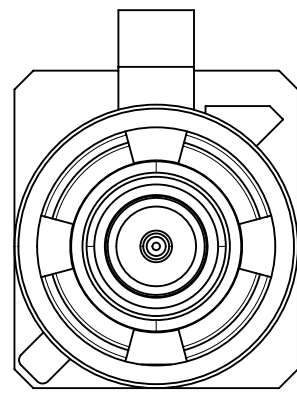
CODE D



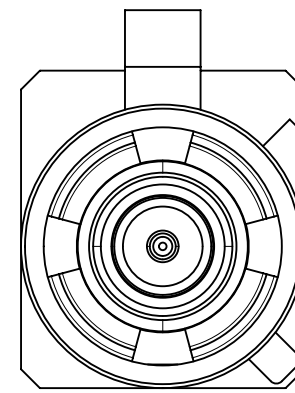
CODE E



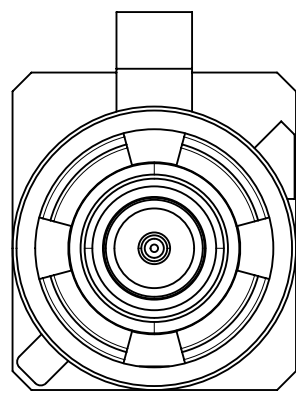
CODE F



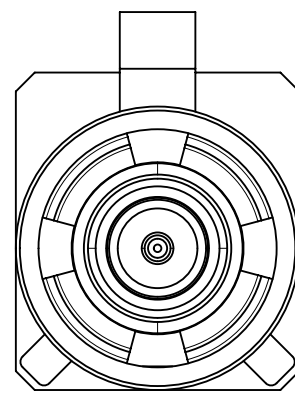
CODE G



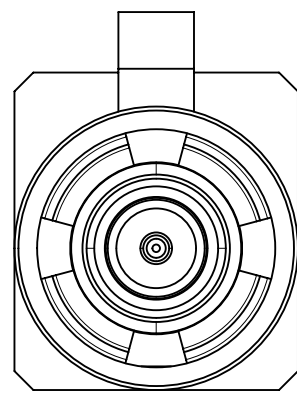
CODE H



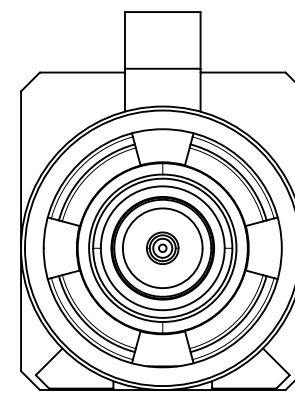
CODE I



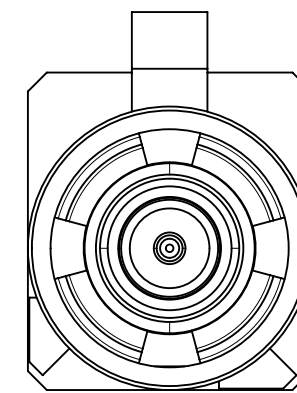
CODE K



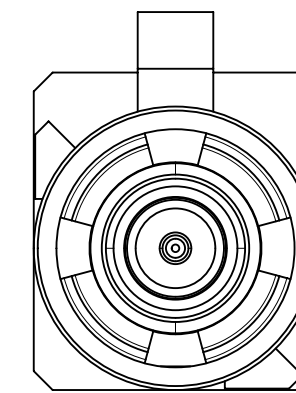
CODE Z



CODE L



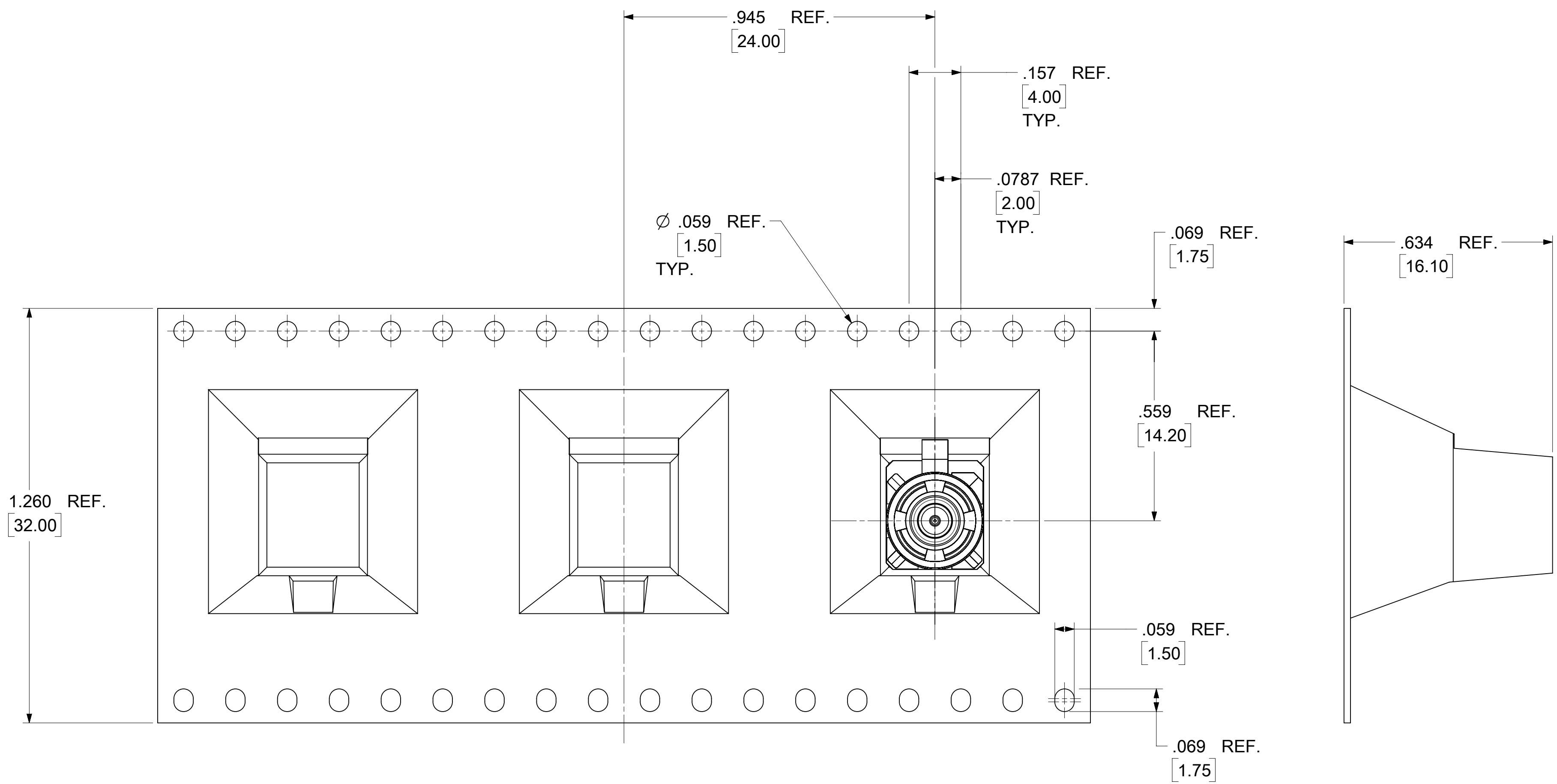
CODE M



CODE N

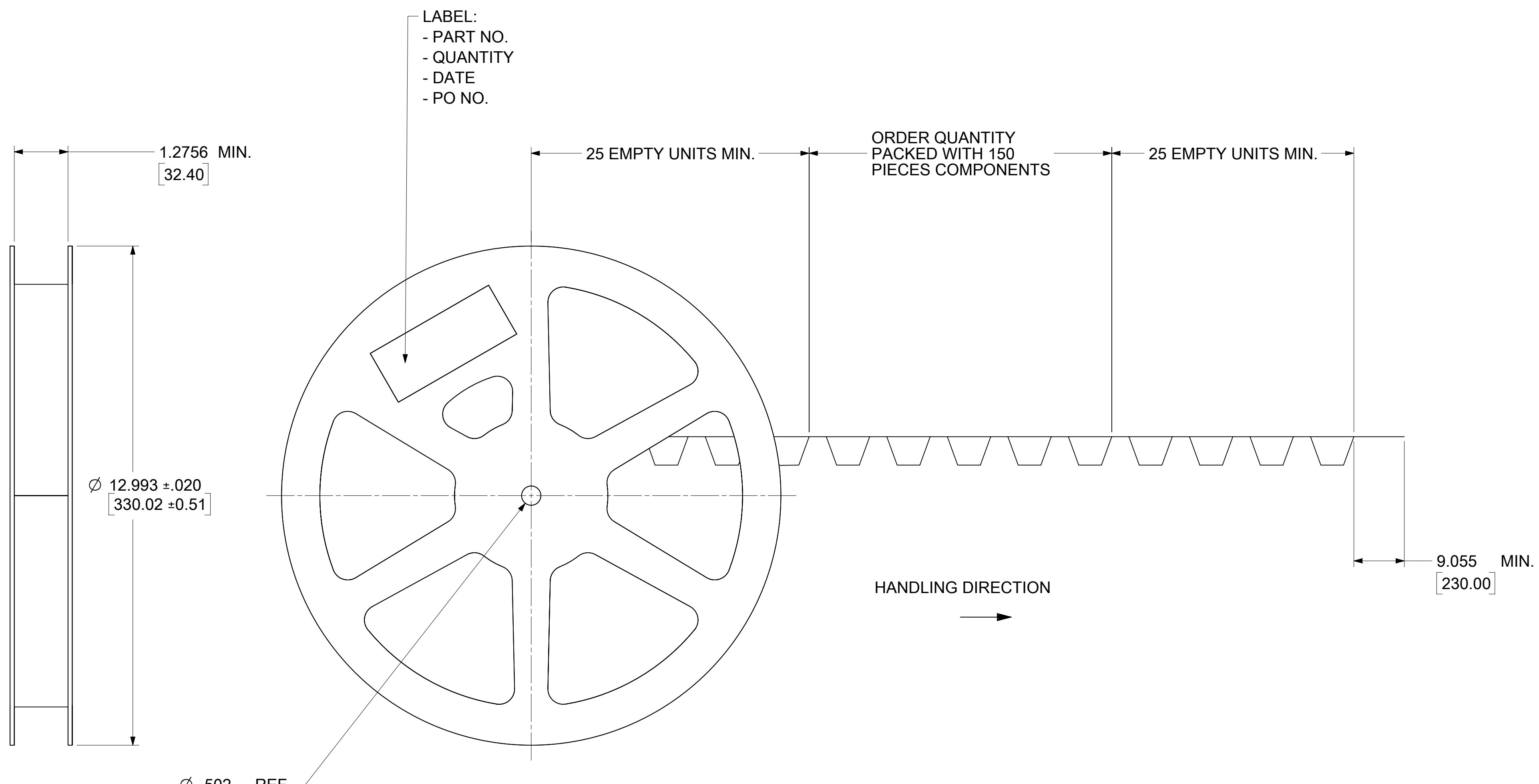
N	PASTEL GREEN	73403-5573
M	PASTEL ORANGE	73403-5572
L	CARMINE RED	73403-5571
Z	WATER BLUE	73403-5570
K	CURRY YELLOW	73403-5569
I	BEIGE	73403-5568
H	VIOLET	73403-5567
G	GRAY	73403-5566
F	BROWN	73403-5565
E	GREEN	73403-5564
D	BORDEAUXVIOLET	73403-5563
C	BLUE	73403-5562
B	SINGLE WHITE	73403-5561
A	BLACK	73403-5560
KEYING CODE	COLOR	PART NO.

FUNCTIONAL SYMBOLS $\nabla_A = 0$ $\nabla_C = 0$ $\nabla_P = 0$	THIS DRAWING CONTAINS INFORMATION THAT IS PROPRIETARY TO MOLEX ELECTRONIC TECHNOLOGIES, LLC AND SHOULD NOT BE USED WITHOUT WRITTEN PERMISSION		CURRENT REV DESC:		
	DIMENSION UNITS	SCALE	EC NO: 719496		
	INCH/MM	NTS	DRWN: ELIN 2022/08/17		SMB JACK, FAKRA, VERTICAL PCB, 50 OHM SMB-J/PCB, EWR # 14535
	GENERAL TOLERANCES (UNLESS SPECIFIED)		CHK'D: YCHENG 2022/08/30		
	ANGULAR TOL $\pm 2.0^\circ$		APPR: YCHENG 2022/08/30		PRODUCT CUSTOMER DRAWING
DIVISIONAL SYMBOLS 4 PLACES \pm 3 PLACES \pm 2 PLACES \pm 1 PLACE \pm 0 PLACES \pm	DRAFT WHERE APPLICABLE MUST REMAIN WITHIN DIMENSIONS		THIRD ANGLE PROJECTION		DOCUMENT NUMBER
			DRAWING C-SIZE		SD-73403-556
			SERIES 73403		DOC TYPE PSD
					DOC PART 001
				REVISION A4	SHEET NUMBER 5 OF 8



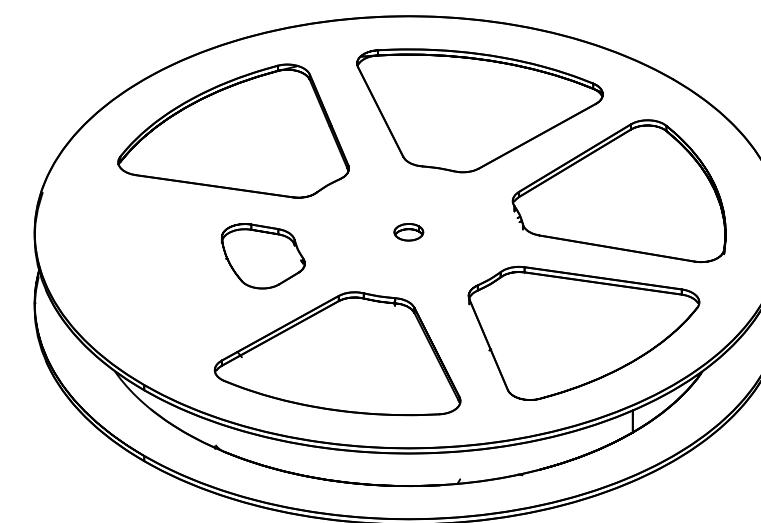
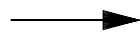
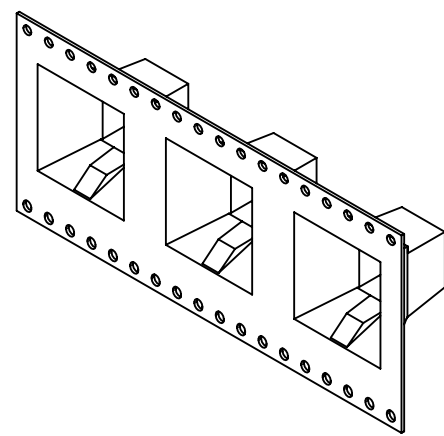
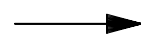
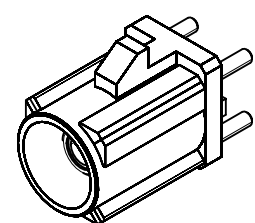
FUNCTIONAL SYMBOLS		THIS DRAWING CONTAINS INFORMATION THAT IS PROPRIETARY TO MOLEX ELECTRONIC TECHNOLOGIES, LLC AND SHOULD NOT BE USED WITHOUT WRITTEN PERMISSION		CURRENT REV DESC:					
DIMENSION UNITS		SCALE		EC NO: 719496					
INCH/MM		NTS		DRWN: ELIN		2022/08/30		SMB-J/PCB, EWR # 14535	
GENERAL TOLERANCES (UNLESS SPECIFIED)		ANGULAR TOL \pm 2.0°		CHK'D: YCHENG		2022/08/30		PRODUCT CUSTOMER DRAWING	
4 PLACES \pm				APPR: YCHENG		2022/08/30		DOCUMENT NUMBER	
3 PLACES \pm				INITIAL REVISION:		2010/01/20		SD-73403-556	
2 PLACES \pm				DRWN: ELIN		2010/01/27		PSD 001 A4	
1 PLACE \pm				APPR: MHUANG				DOC TYPE	
0 PLACES \pm				DRAFT WHERE APPLICABLE MUST REMAIN WITHIN DIMENSIONS		THIRD ANGLE PROJECTION		DOC PART	
				DRAWING		SERIES		REVISION	
				C-SIZE		73403		1	
				MATERIAL NUMBER		CUSTOMER		SHEET NUMBER	
				SEE TABLE		GENERAL MARKET		6 OF 8	

DOCUMENT STATUS	P1	RELEASE DATE	2022/08/30	08:30:37
-----------------	----	--------------	------------	----------

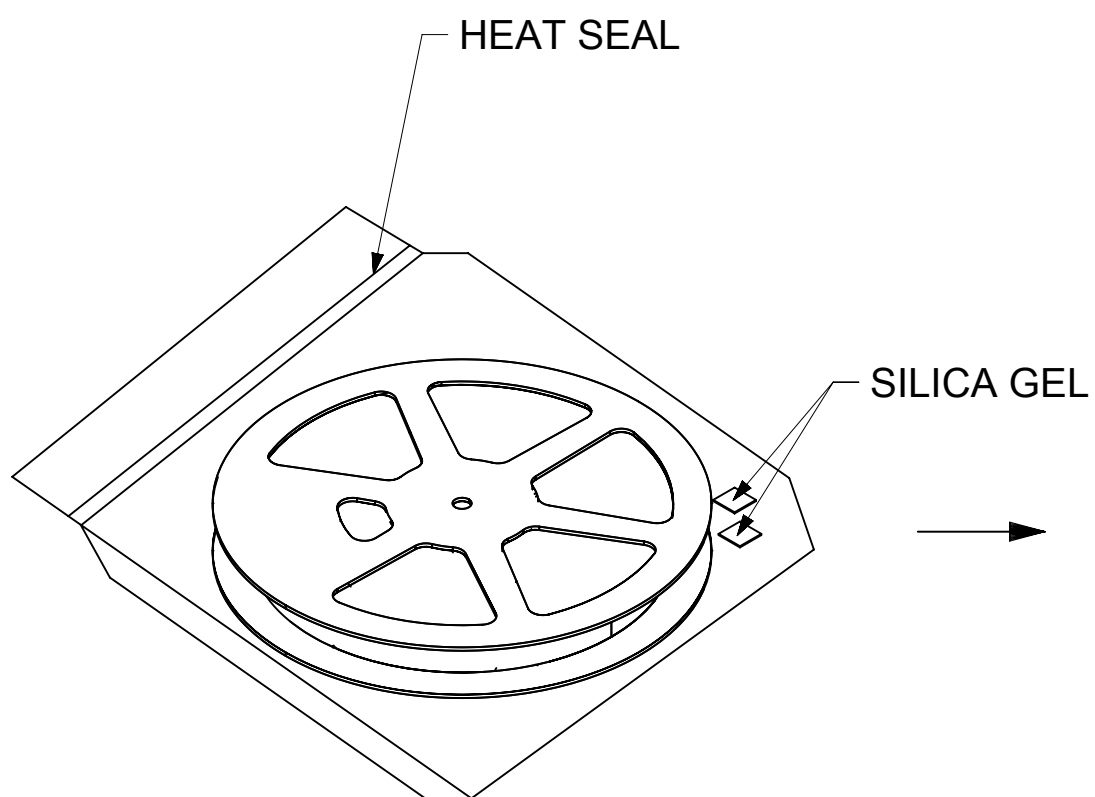


NOTE:
13" REEL SIZE FOR 150 PIECES

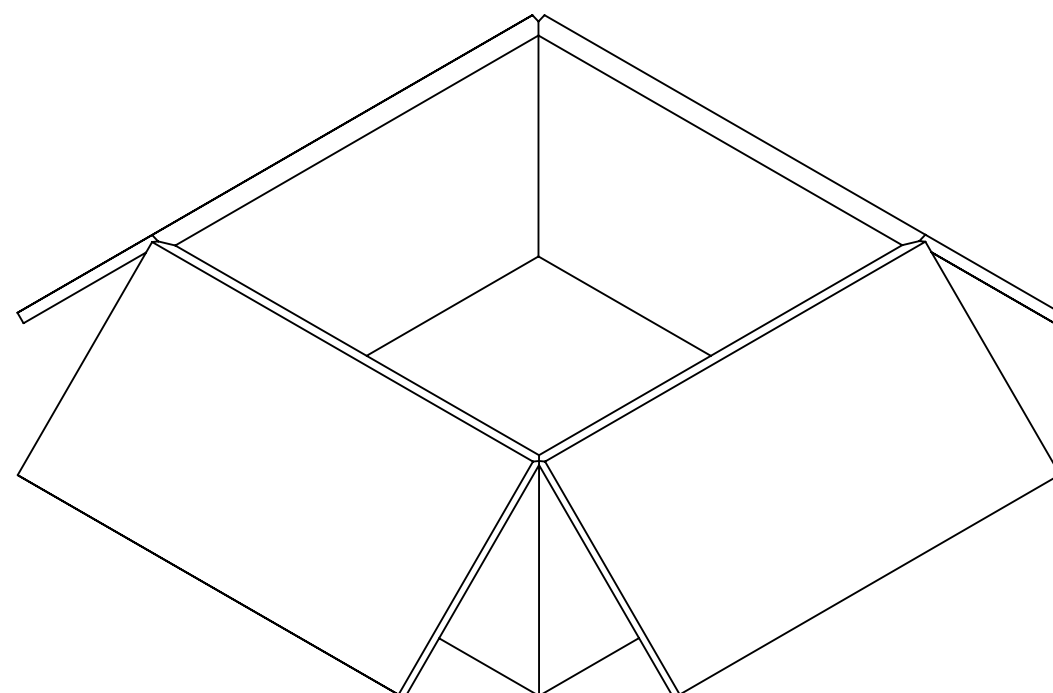
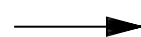
FUNCTIONAL SYMBOLS $\nabla_A = 0$ $\nabla_C = 0$ $\nabla_P = 0$	THIS DRAWING CONTAINS INFORMATION THAT IS PROPRIETARY TO MOLEX ELECTRONIC TECHNOLOGIES, LLC AND SHOULD NOT BE USED WITHOUT WRITTEN PERMISSION	CURRENT REV DESC:					
	DIMENSION UNITS: INCH/MM	SCALE: NTS	GENERAL TOLERANCES (UNLESS SPECIFIED)				
	ANGULAR TOL ± 2.0°	4 PLACES ±	EC NO: 719496	2022/08/17	SMB JACK, FAKRA, VERTICAL PCB, 50 OHM		
	3 PLACES ±	2 PLACES ±	DRWN: ELIN	2022/08/30	SMB-J/PCB, EWR # 14535		
DIVISIONAL SYMBOLS	1 PLACE ±	APPR: YCHENG	2022/08/30	PRODUCT CUSTOMER DRAWING			
0 PLACES ±	DRAFT WHERE APPLICABLE MUST REMAIN WITHIN DIMENSIONS	INITIAL REVISION:	2010/01/20	DOCUMENT NUMBER	DOC TYPE	DOC PART	REVISION
	THIRD ANGLE PROJECTION	DRWN: ELIN	2010/01/27	SD-73403-556	PSD	001	A4
		APPR: MHUANG		SEE TABLE	GENERAL MARKET		SHEET NUMBER
							7 OF 8



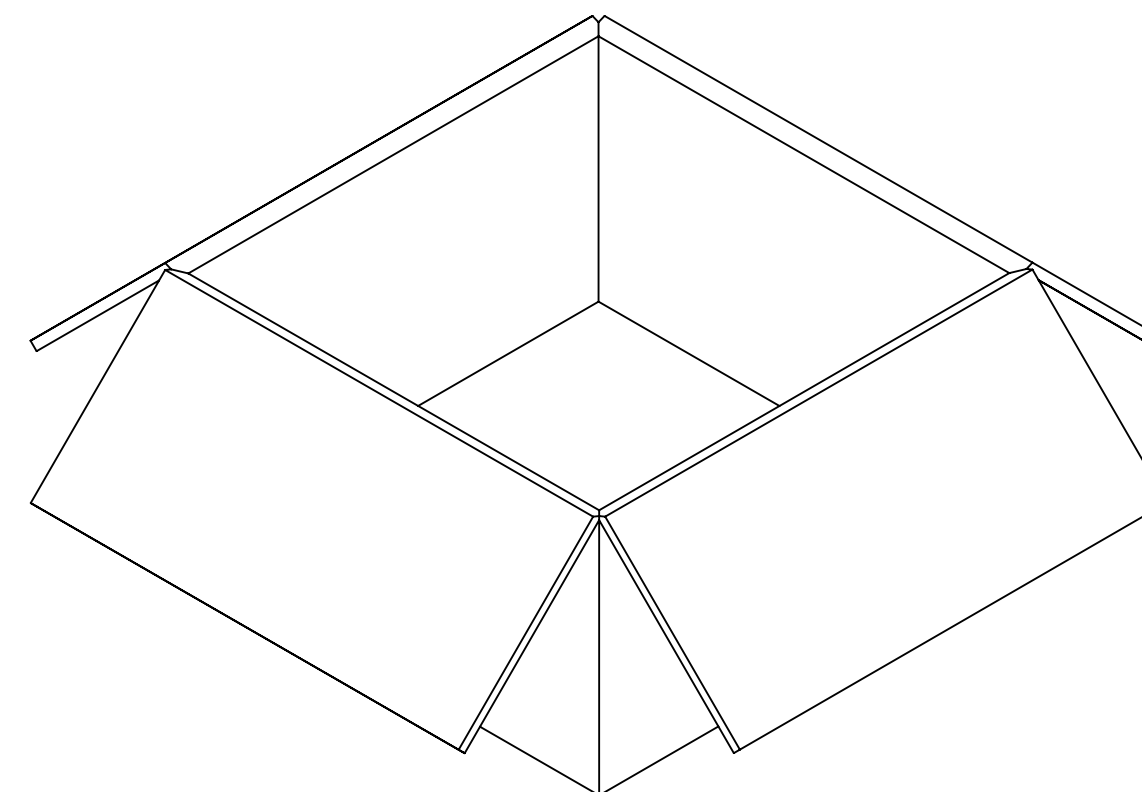
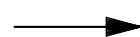
150 SET PER 13" REEL



HDPE BAG



600 SET PER INNER
CARTON BOX



600 SET PER OUTER
CARTON BOX

FUNCTIONAL SYMBOLS	THIS DRAWING CONTAINS INFORMATION THAT IS PROPRIETARY TO MOLEX ELECTRONIC TECHNOLOGIES, LLC AND SHOULD NOT BE USED WITHOUT WRITTEN PERMISSION										
	DIMENSION UNITS	SCALE	CURRENT REV DESC:							molex	
$\frac{F}{A} = 0$	INCH/MM	NTS	EC NO: 719496								
$\frac{E}{C} = 0$	GENERAL TOLERANCES (UNLESS SPECIFIED)		DRWN: ELIN							SMB-J/PCB, EWR # 14535	
$\frac{E}{P} = 0$	ANGULAR TOL $\pm 2.0^\circ$		2022/08/17							PRODUCT CUSTOMER DRAWING	
DIVISIONAL SYMBOLS	4 PLACES	\pm	CHK'D: YCHENG							DOCUMENT NUMBER	
	3 PLACES	\pm	2022/08/30							SD-73403-556	
	2 PLACES	\pm	APPR: YCHENG							DOC TYPE	
	1 PLACE	\pm	INITIAL REVISION:							DOC PART	
0 PLACES	\pm	2010/01/20							REVISION		
DRAFT WHERE APPLICABLE MUST REMAIN WITHIN DIMENSIONS		THIRD ANGLE PROJECTION	DRAWING	SERIES	MATERIAL NUMBER	CUSTOMER	SHEET NUMBER				
			C-SIZE	73403	SEE TABLE	GENERAL MARKET	8 OF 8				

DOCUMENT STATUS	P1	RELEASE DATE	2022/08/30	08:30:37
-----------------	----	--------------	------------	----------