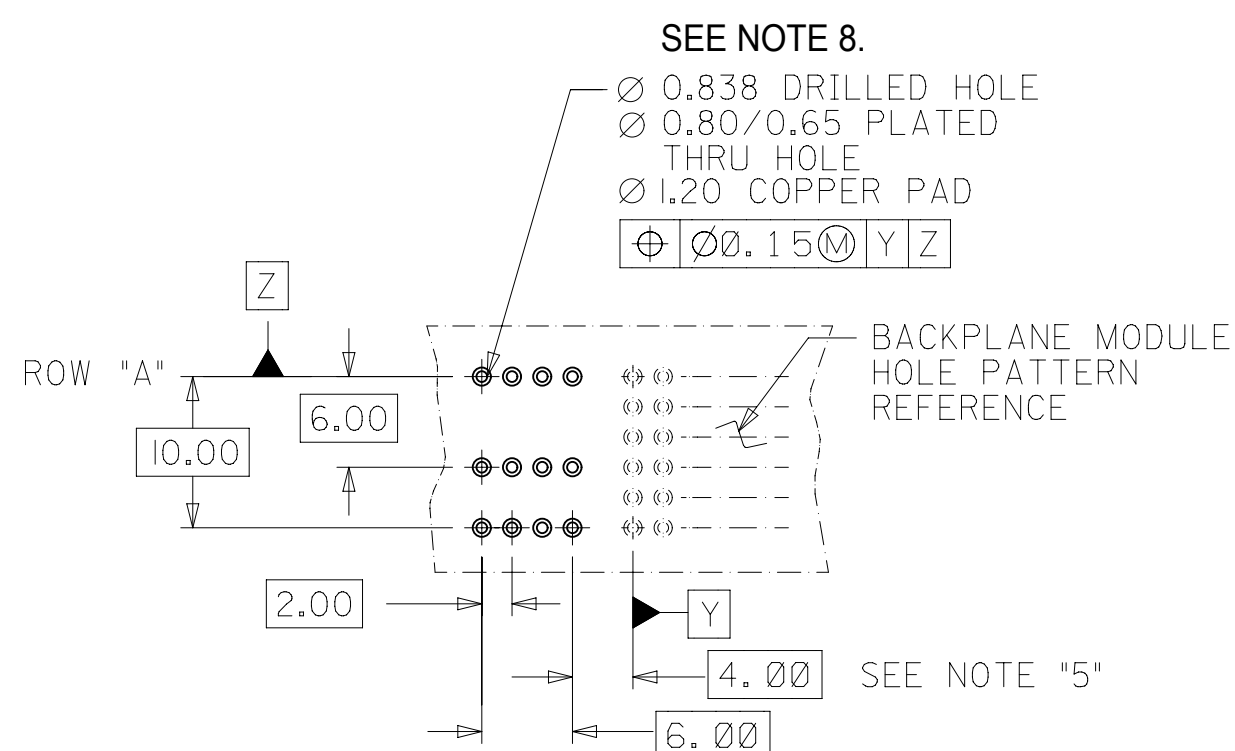
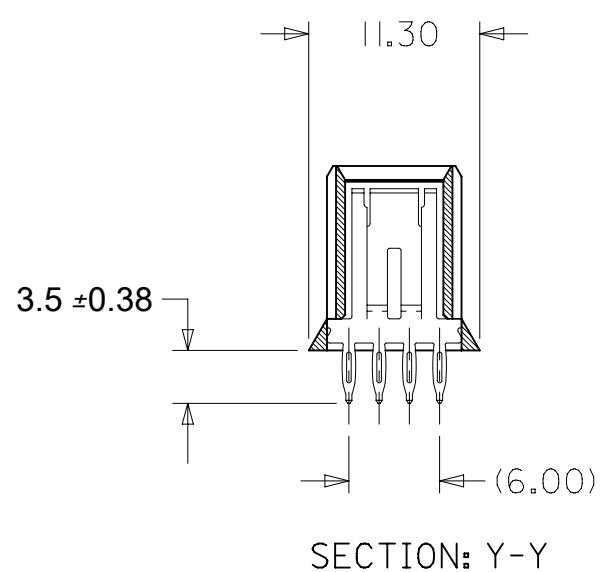
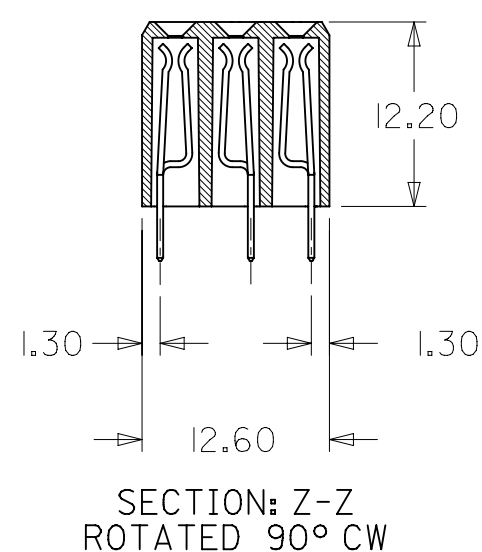
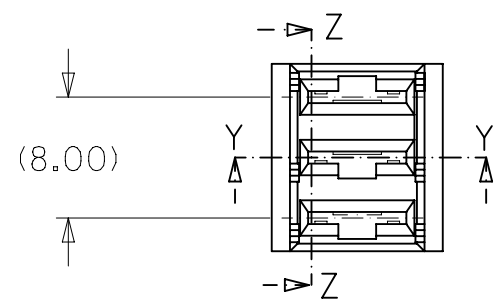
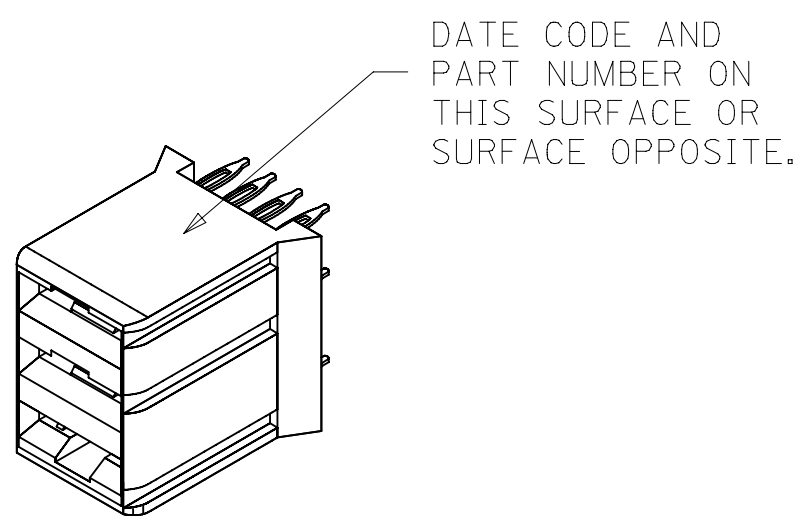


ASSEMBLY NUMBER	FINISH
73656-0000	SEE NOTE 2.
73656-0001	SEE NOTE 3.



PCB LAYOUT: COMPONENT SIDE
RECOMMENDED PCB THICKNESS: 2.50 MIN

NOTES:

- MATERIALS: HOUSING - LIQUID CRYSTAL POLYMER (LCP), GLASS-FILLED, UL94V-0, COLOR: BLACK
TERMINAL - COPPER ALLOY
- FINISH: SELECTIVE GOLD (Au) IN CONTACT AREA, 0.76 micrometer
MINIMUM THICKNESS: NICKEL (Ni) AND GOLD FLASH OVERALL
- FINISH: SELECTIVE GOLD (Au) IN CONTACT AREA, 0.76 micrometer
MINIMUM THICKNESS: MATTE TIN (Sn) OVER NICKEL (Ni)
IN COMPLIANT AREA: NICKEL (Ni) OVERALL ON REMAINING
WITH SELECTIVE GOLD (Au) FLASH.
- THIS DIMENSION MUST BE A MULTIPLE OF 4.00 mm.
- DIMENSIONS ARE IN MILLIMETERS.
- THIS PART CONFORMS TO MOLEX PRODUCT SPECIFICATION PS-73670-9999.
- PACKAGE ASSEMBLIES PER PK-70873-0819.
- HOLE SIZE SPECIFICATION IS FOR TIN/LEAD PLATED HOLES ONLY.
FOR OTHER PLATING TYPES SEE MOLEX APPLICATION AS-73670-9996.
- THIS PART CONFORMS TO MOLEX COSMETIC SPECIFICATION PS-45499-002 CLASS B.

SYMBOLS		THIS DRAWING CONTAINS INFORMATION THAT IS PROPRIETARY TO MOLEX ELECTRONIC TECHNOLOGIES, LLC AND SHOULD NOT BE USED WITHOUT WRITTEN PERMISSION	
DIMENSION UNITS	SCALE	CURRENT REV DESC:	
$\nabla = 0$	mm	2:1	EC NO: 607574 DRWN: DMORGAN 2018/11/13 CHK'D: TELO 2018/11/15 APPR: TELO 2018/11/15
$\nabla = 0$	GENERAL TOLERANCES (UNLESS SPECIFIED)		
$\nabla = 0$	ANGULAR TOL $\pm 0.5^\circ$		INITIAL REVISION: DRWN: TELO 1998/05/21 APPR: CBIXLER 2000/06/13
$\nabla = 0$	4 PLACES \pm		
$\nabla = 0$	3 PLACES \pm		DOCUMENT NUMBER SDA-73656-X00X
$\nabla = 0$	2 PLACES ± 0.13		
$\nabla = 0$	1 PLACE ± 0.25		DOC TYPE PSD
$\nabla = 0$	0 PLACES \pm		DOC PART 001
$\nabla = 0$	DRAFT WHERE APPLICABLE MUST REMAIN WITHIN DIMENSIONS		REVISION J
$\nabla = 0$	THIRD ANGLE PROJECTION	DRAWING C-SIZE	SHEET NUMBER 1 OF 4
	SERIES 73656	MATERIAL NUMBER SEE TABLES	CUSTOMER GENERAL MARKET

molex

SALES ASSY , HDM
BACKPLANE POWER MODULE (PRESSFIT)

PRODUCT CUSTOMER DRAWING

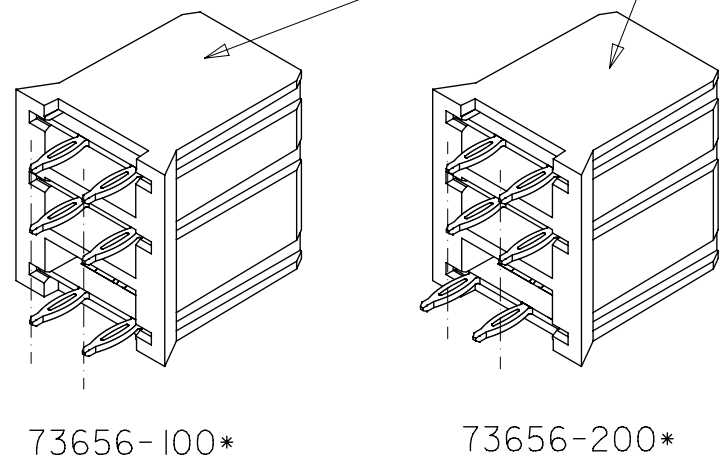
DOCUMENT NUMBER DOC TYPE DOC PART REVISION

SDA-73656-X00X PSD 001 J

MATERIAL NUMBER CUSTOMER SHEET NUMBER

SEE TABLES GENERAL MARKET 1 OF 4

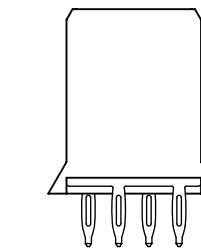
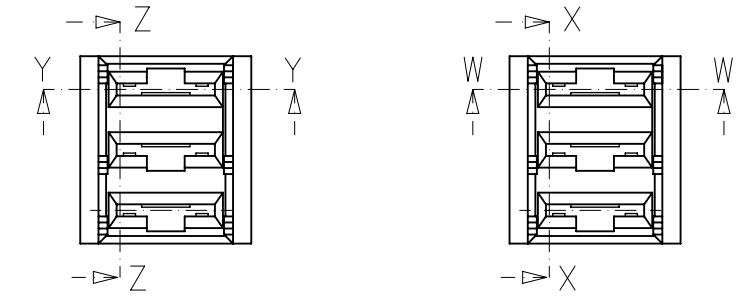
DATE CODE AND
PART NUMBER ON
THIS SURFACE OR
SURFACE OPPOSITE.



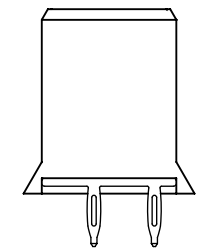
MIDPLANE OPTION

ASSEMBLY NUMBER	FINISH (SEE SHT 1)
73656-1000	SEE NOTE 2. (GOLD TAILS)
73656-2000	
73656-1001	SEE NOTE 3. *(MATTE TIN TAILS)
73656-2001	

* FORMERLY TIN/LEAD

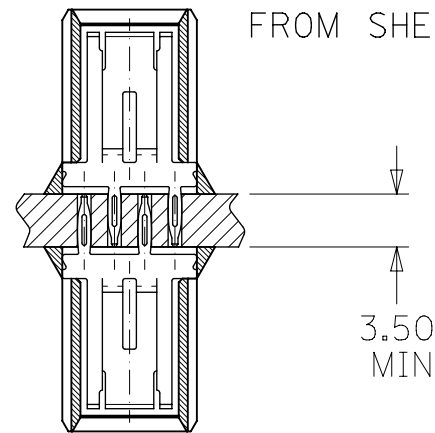


73656-200*

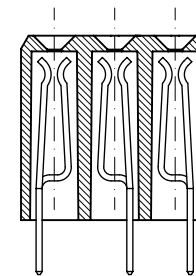


73656-100*

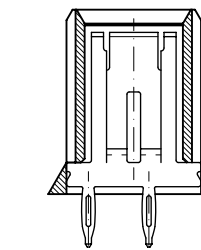
USE BACKPLANE MODULE
HOLE REFERENCE PATTERN
FROM SHEET 1



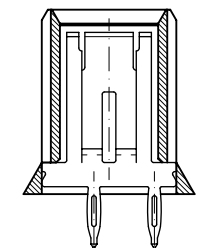
BACK-TO-BACK
MOUNTING APPLICATION



SECTION X-X
SECTION Z-Z
ROTATED 90° CW



SECTION: Y-Y
(4.00)



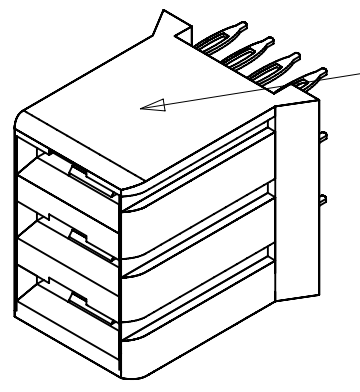
SECTION: W-W
(4.00)

SYMBOLS		THIS DRAWING CONTAINS INFORMATION THAT IS PROPRIETARY TO MOLEX ELECTRONIC TECHNOLOGIES, LLC AND SHOULD NOT BE USED WITHOUT WRITTEN PERMISSION	
DIMENSION UNITS	SCALE	CURRENT REV DESC:	
mm	2:1		
GENERAL TOLERANCES (UNLESS SPECIFIED)			
ANGULAR TOL	± 0.5°		
4 PLACES	±		
3 PLACES	±		
2 PLACES	± 0.13		
1 PLACE	± 0.25		
0 PLACES	±		
DRAFT WHERE APPLICABLE MUST REMAIN WITHIN DIMENSIONS			
THIRD ANGLE PROJECTION			
DRAWING			
SERIES			
MATERIAL NUMBER			
CUSTOMER			
SHEET NUMBER			

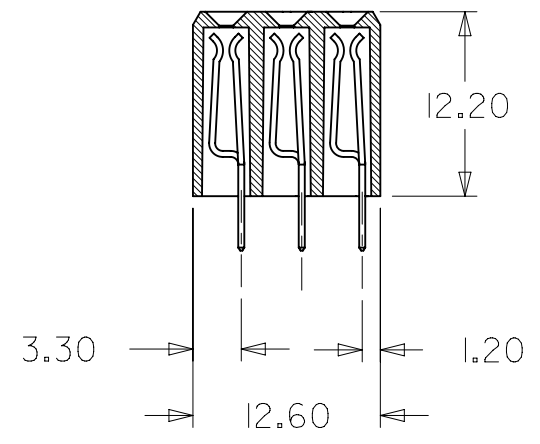
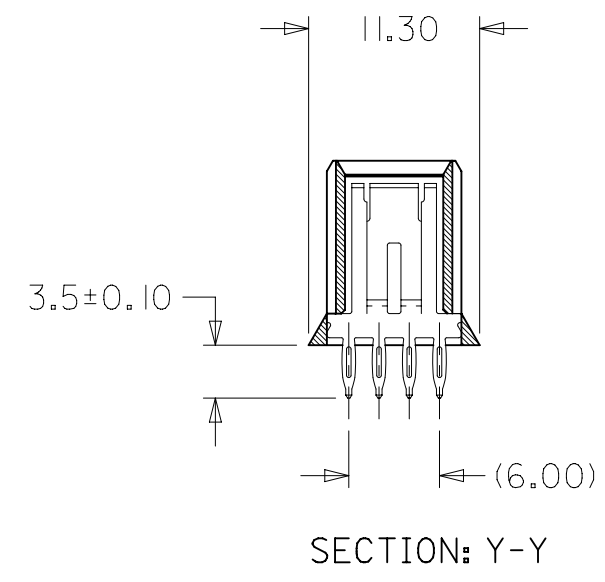
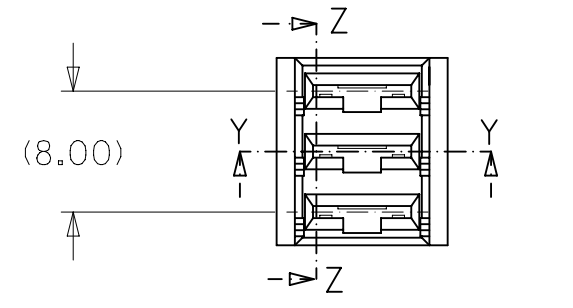
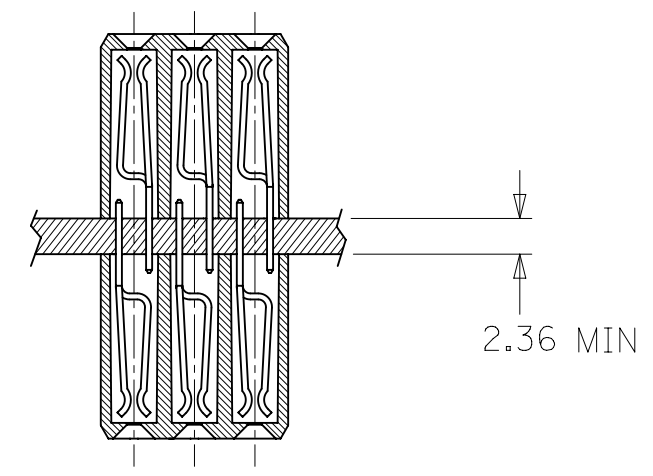
EC NO: 607574			
DRWN: DMORGAN	2018/11/13		
CHK'D: TELO	2018/11/15		
APPR: TELO	2018/11/15		
INITIAL REVISION:			
DRWN: TELO	1998/05/21		
APPR: CBIXLER	2000/06/13		

molex			
SALES ASSY , HDM BACKPLANE POWER MODULE (PRESSFIT)			
PRODUCT CUSTOMER DRAWING			
DOCUMENT NUMBER	DOC TYPE	DOC PART	REVISION
SDA-73656-X00X	PSD	001	J
MATERIAL NUMBER	CUSTOMER	SHEET NUMBER	
SEE TABLES	GENERAL MARKET	2 OF 4	

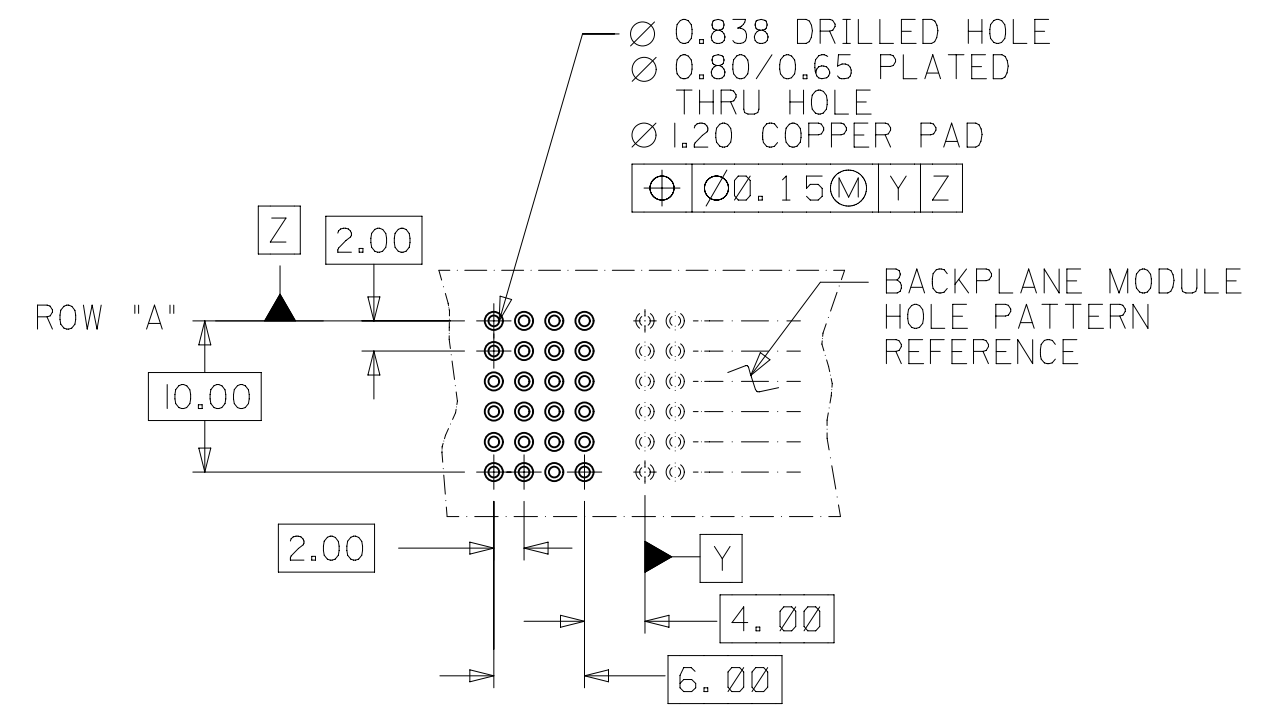
ASSEMBLY NUMBER	FINISH (SHT 1)
73656-5000	SEE NOTE 2.
73656-5001	SEE NOTE 3.



DATE CODE AND PART NUMBER ON THIS SURFACE OR SURFACE OPPOSITE.



SECTION: Z-Z
ROTATED 90° CW



SYMBOLS	THIS DRAWING CONTAINS INFORMATION THAT IS PROPRIETARY TO MOLEX ELECTRONIC TECHNOLOGIES, LLC AND SHOULD NOT BE USED WITHOUT WRITTEN PERMISSION		
	DIMENSION UNITS	SCALE	CURRENT REV DESC:
▽ = 0	mm	2:1	EC NO: 607574
▽ = 0	GENERAL TOLERANCES (UNLESS SPECIFIED)		DRWN: DMORGAN 2018/11/13
▽ = 0	ANGULAR TOL ± 0.5°		CHK'D: TELO 2018/11/15
▽ = 0	4 PLACES	±	APPR: TELO 2018/11/15
▽ = 0	3 PLACES	±	INITIAL REVISION:
▽ = 0	2 PLACES	± 0.13	DRWN: TELO 1998/05/21
▽ = 0	1 PLACE	± 0.25	APPR: CBIXLER 2000/06/13
▽ = 0	0 PLACES	±	
▽ = 0	DRAFT WHERE APPLICABLE MUST REMAIN WITHIN DIMENSIONS	THIRD ANGLE PROJECTION	DRAWING SERIES MATERIAL NUMBER CUSTOMER SHEET NUMBER
		B-SIZE	73656 SEE TABLES GENERAL MARKET 3 OF 4

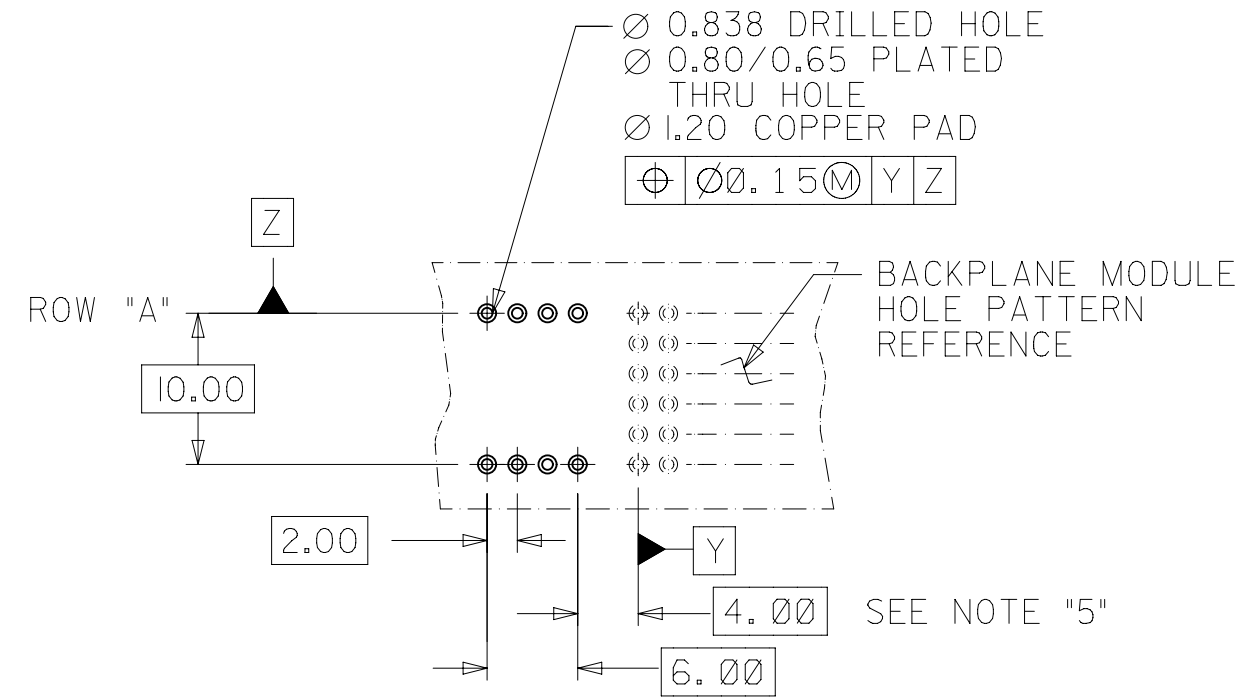
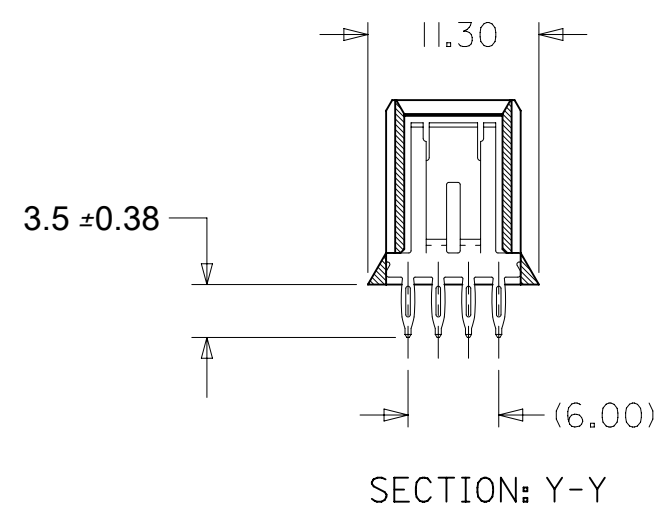
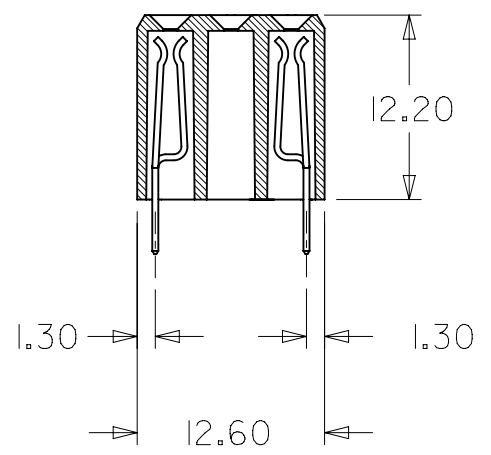
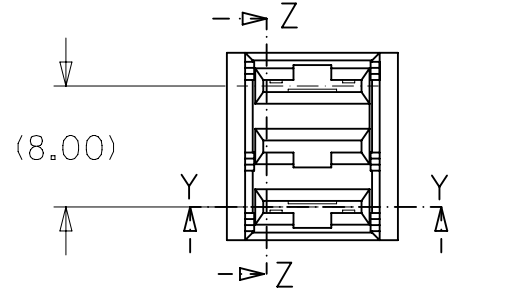
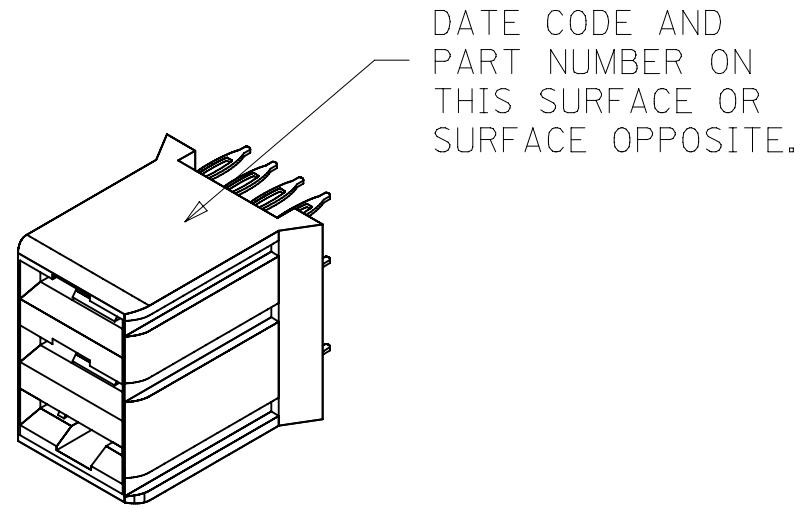
molex

SALES ASSY , HDM
BACKPLANE POWER MODULE (PRESSFIT)

PRODUCT CUSTOMER DRAWING

DOCUMENT NUMBER	DOC TYPE	DOC PART	REVISION
SDA-73656-X00X	PSD	001	J

ASSEMBLY NUMBER	FINISH
73656-0180	SEE NOTE 2.
73656-0181	SEE NOTE 3.



SYMBOLS	THIS DRAWING CONTAINS INFORMATION THAT IS PROPRIETARY TO MOLEX ELECTRONIC TECHNOLOGIES, LLC AND SHOULD NOT BE USED WITHOUT WRITTEN PERMISSION		
	DIMENSION UNITS	SCALE	CURRENT REV DESC:
▽ = 0	mm	2:1	molex SALES ASSY , HDM BACKPLANE POWER MODULE (PRESSFIT)
▽ = 0	GENERAL TOLERANCES (UNLESS SPECIFIED)		
▽ = 0	ANGULAR TOL ± 0.5°		
▽ = 0	4 PLACES ±		
▽ = 0	3 PLACES ±		EC NO: 607574
▽ = 0	2 PLACES ± 0.13		DRWN: DMORGAN 2018/11/13
▽ = 0	1 PLACE ± 0.25		CHK'D: TELO 2018/11/15
▽ = 0	0 PLACES ±		APPR: TELO 2018/11/15
■ = 0	DRAFT WHERE APPLICABLE MUST REMAIN WITHIN DIMENSIONS		INITIAL REVISION:
▽ = 0	THIRD ANGLE PROJECTION	DRAWING	DRWN: TELO 1998/05/21
		SERIES	APPR: CBIXLER 2000/06/13
		MATERIAL NUMBER	DOCUMENT NUMBER
		CUSTOMER	DOC TYPE DOC PART REVISION
		SEE TABLES	SDA-73656-X00X PSD 001 J
		GENERAL MARKET	SHEET NUMBER
		4 OF 4	

DOCUMENT STATUS	P1	RELEASE DATE	2018/11/15 03:28:27
-----------------	----	--------------	---------------------