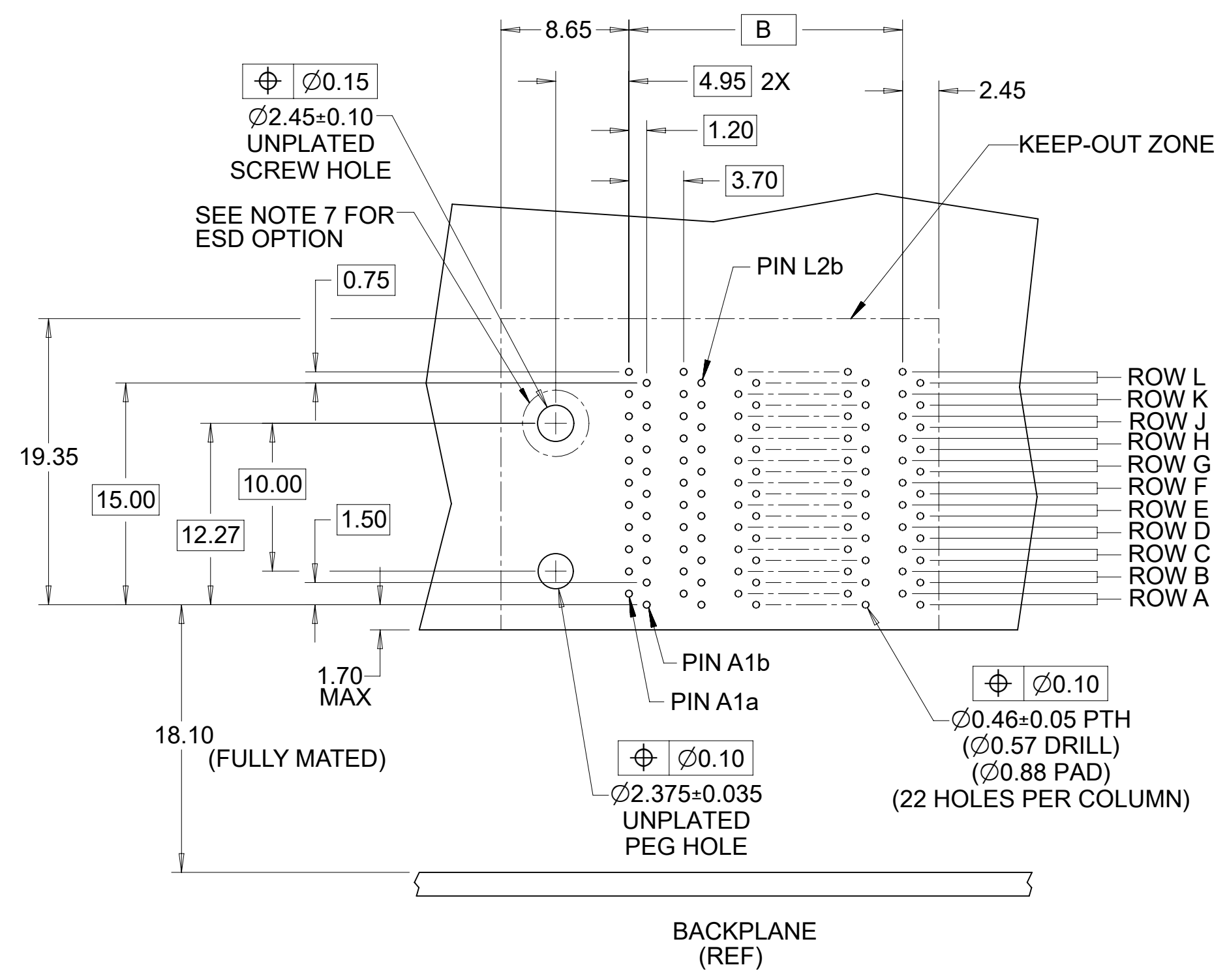
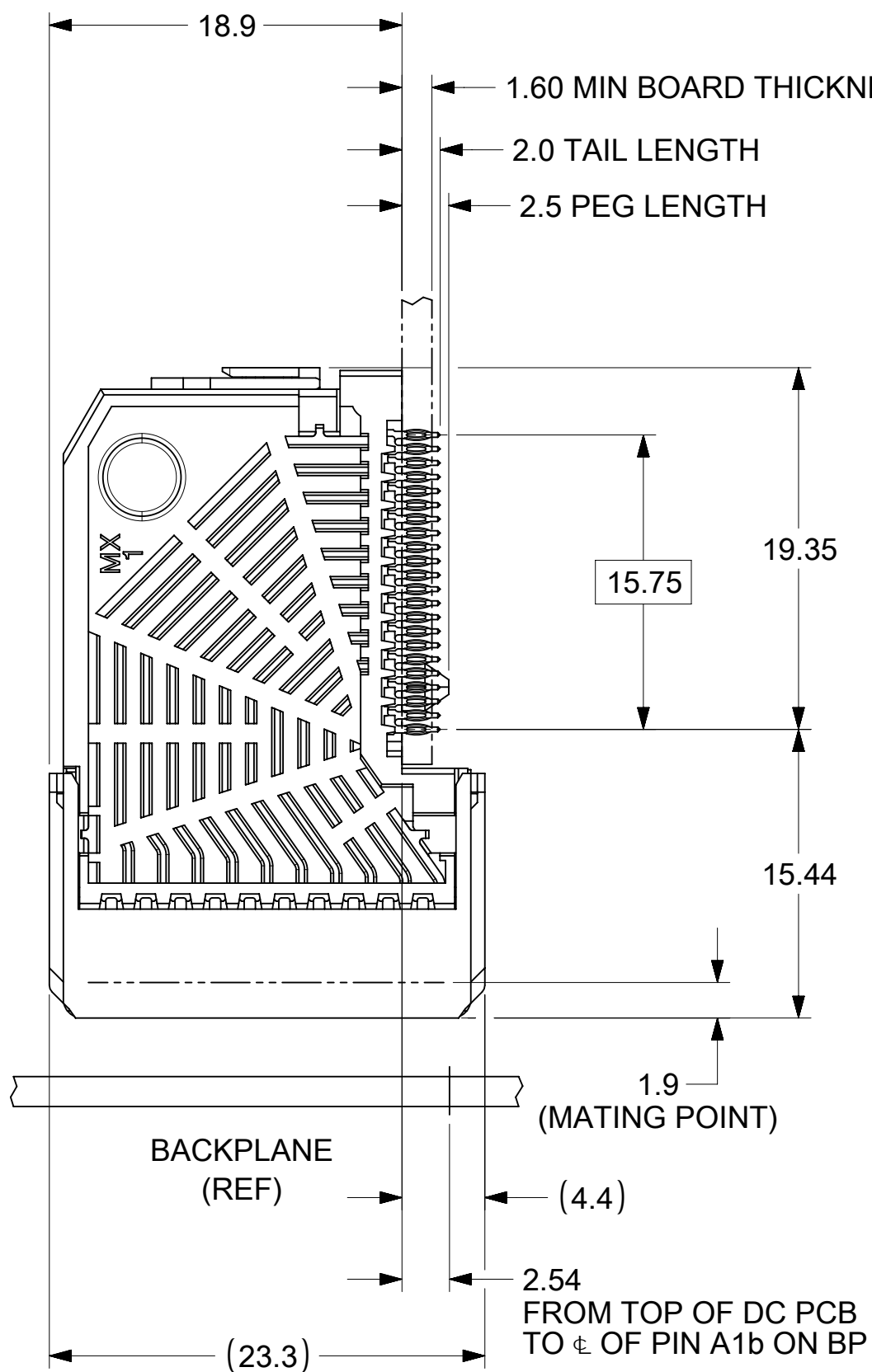


KEY SHOWN IN POSITION "A"



DAUGHTERCARD HOLE PATTERN (CONNECTOR SIDE)

- NOTES:
1. MATERIALS: HOUSING - LIQUID CRYSTAL POLYMER (LCP) GLASS-FILLED, UL94V-0
TERMINALS - HIGH PERFORMANCE COPPER ALLOY
 2. FINISH: SELECTIVE GOLD IN CONTACT AREA.
SELECTIVE MATTE TIN ON PCB TAILS. NICKEL OVERALL.
 3. REFER TO MOLEX PRODUCT SPECIFICATION PS-75710-999 FOR PERFORMANCE SPECS.
 4. PRODUCT IS PACKAGED PER PK-70873-609.
 5. THIS PART CONFORMS TO CLASS B REQUIREMENTS OF COSMETIC SPEC PS-45499-002.
 6. GUIDED PARTS TO BE SHIPPED WITH 2-32 TYPE AB
SELF-TAPPING SCREW P/N 73726-0000.
 7. FOR GROUNDED GUIDE MODULES USE DIA 2.45+/-0.10 (PTH), DIA 2.58 (DRILL),
AND DIA 4.50 (PAD).
 8. MAPS (MOLEX ADVANCED PLATING SYSTEM).

THIS DRAWING CONTAINS INFORMATION THAT IS PROPRIETARY TO MOLEX ELECTRONIC TECHNOLOGIES, LLC AND SHOULD NOT BE USED WITHOUT WRITTEN PERMISSION									
DIMENSION UNITS		SCALE		CURRENT REV DESC: REMASTERED TO NX					
mm		NTS							
GENERAL TOLERANCES (UNLESS SPECIFIED)									
ANGULAR TOL ± 0.5°				EC NO: 671119 DRWN: YOGEEB 2021/06/24 CHK'D: MMALLIGEVALU 2022/01/28 APPR: CWANG25 2022/02/18					
4 PLACES ±									
3 PLACES ±				I-TRAC DAUGHTERCARD 11 ROW SIGNAL MODULE GUIDE LEFT SALES DWG					
2 PLACES ± 0.13									
1 PLACE ± 0.25				PRODUCT CUSTOMER DRAWING					
0 PLACES ±									
DRAFT WHERE APPLICABLE MUST REMAIN WITHIN DIMENSIONS				THIRD ANGLE PROJECTION		DRAWING		SERIES	
DOCUMENT STATUS		P1		RELEASE DATE		2022/02/18 05:03:56		SD-75710-002	
PSD		001		D1		SEE TABLE		GENERAL MARKET	
MATERIAL NUMBER		CUSTOMER		SHEET NUMBER		1 OF 2			

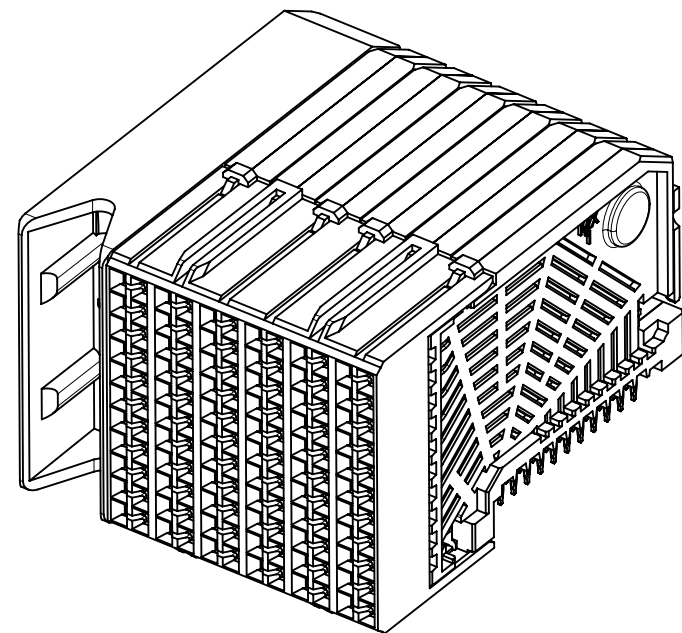
MATERIAL NUMBER	# OF COLUMNS	DIM "A" MAX	DIM "B"
75710-***5	5	25.90	14.80
75710-***6	6	29.60	18.50
75710-***8	8	37.00	25.90
75710-***0	10	44.40	33.30

75710- * * * *

MODULE TYPE -- TAIL PLATING TYPE
 GUIDE LEFT -- MATTE TIN (FORMERLY TIN/LEAD)= 2
 GUIDE LEFT -- MATTE TIN = 3

POLARIZATION KEY ORIENTATION
 0 = NO KEY
 1 = A 5 = E
 2 = B 6 = F
 3 = C 7 = G
 4 = D 8 = H

OF COLUMNS/PLATING
 05 = 5 COL 30 GOLD
 06 = 6 COL 30 GOLD
 08 = 8 COL 30 GOLD
 10 = 10 COL 30 GOLD
 55 = 5 COL W/ESD 30 GOLD
 56 = 6 COL W/ESD 30 GOLD
 58 = 8 COL W/ESD 30 GOLD
 50 = 10 COL W/ESD 30 GOLD
 25 = 5 COL 10 GOLD (MAPS)
 26 = 6 COL 10 GOLD (MAPS)
 28 = 8 COL 10 GOLD (MAPS)
 20 = 10 COL 10 GOLD (MAPS)
 65 = 5 COL W/ESD 10 GOLD (MAPS)
 66 = 6 COL W/ESD 10 GOLD (MAPS)
 68 = 8 COL W/ESD 10 GOLD (MAPS)
 60 = 10 COL W/ESD 10 GOLD (MAPS)



THIS DRAWING CONTAINS INFORMATION THAT IS PROPRIETARY TO MOLEX ELECTRONIC TECHNOLOGIES, LLC AND SHOULD NOT BE USED WITHOUT WRITTEN PERMISSION										
DIMENSION UNITS	SCALE	CURRENT REV DESC: REMASTERED TO NX				molex				
mm	NTS									
GENERAL TOLERANCES (UNLESS SPECIFIED)		EC NO: 671119				I-TRAC DAUGHTERCARD				
ANGULAR TOL ± 0.5°		DRWN: YOGEEB 2021/06/24				11 ROW SIGNAL MODULE GUIDE LEFT SALES DWG				
4 PLACES ±		CHK'D: MMALLIGEVALU 2022/01/28				PRODUCT CUSTOMER DRAWING				
3 PLACES ±		APPR: CWANG25 2022/02/18								
2 PLACES ± 0.13		INITIAL REVISION:				DOCUMENT NUMBER		DOC TYPE	DOC PART	REVISION
1 PLACE ± 0.25		DRWN: MCARRANZA 2006/06/19				SD-75710-002		PSD	001	D1
0 PLACES ±		APPR: JLAURX 2006/06/21				MATERIAL NUMBER		CUSTOMER		SHEET NUMBER
DRAFT WHERE APPLICABLE MUST REMAIN WITHIN DIMENSIONS		THIRD ANGLE PROJECTION		DRAWING	SERIES	SEE TABLE	GENERAL MARKET		2 OF 2	
				C-SIZE	75710					