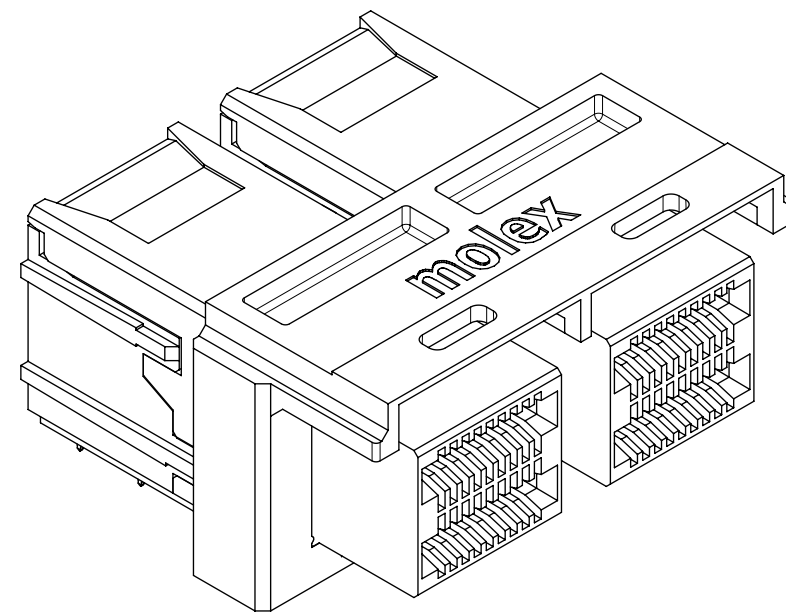
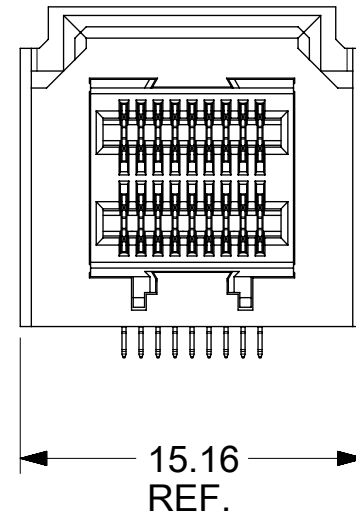
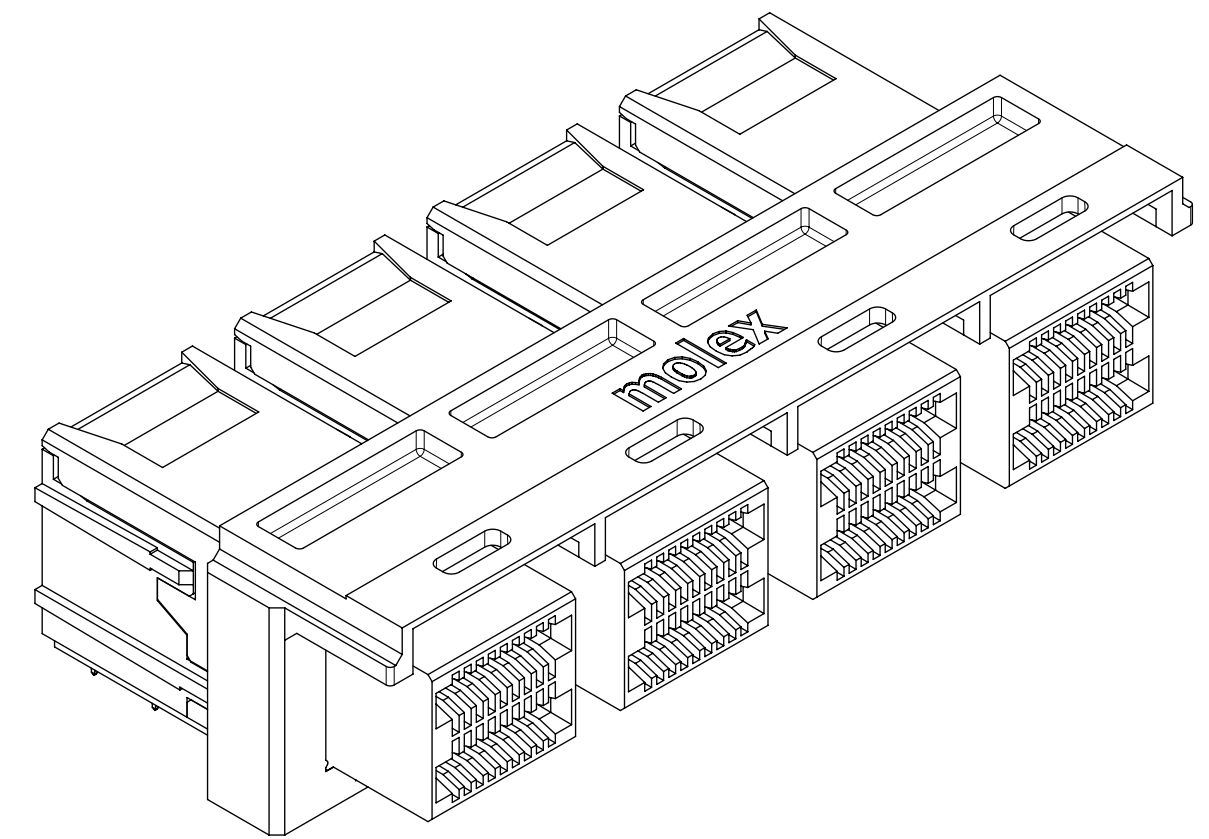
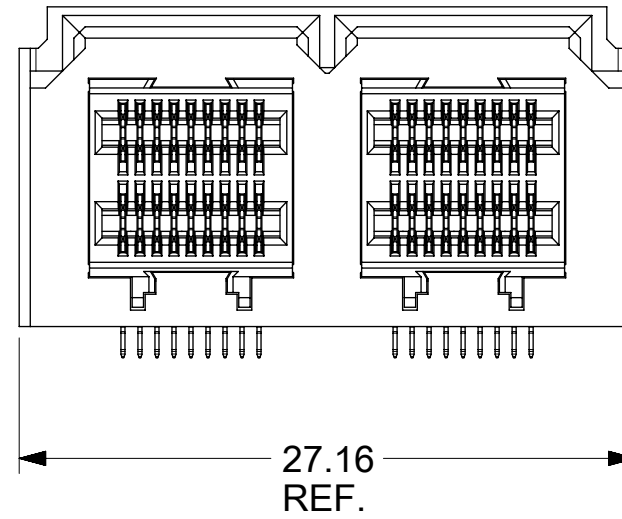


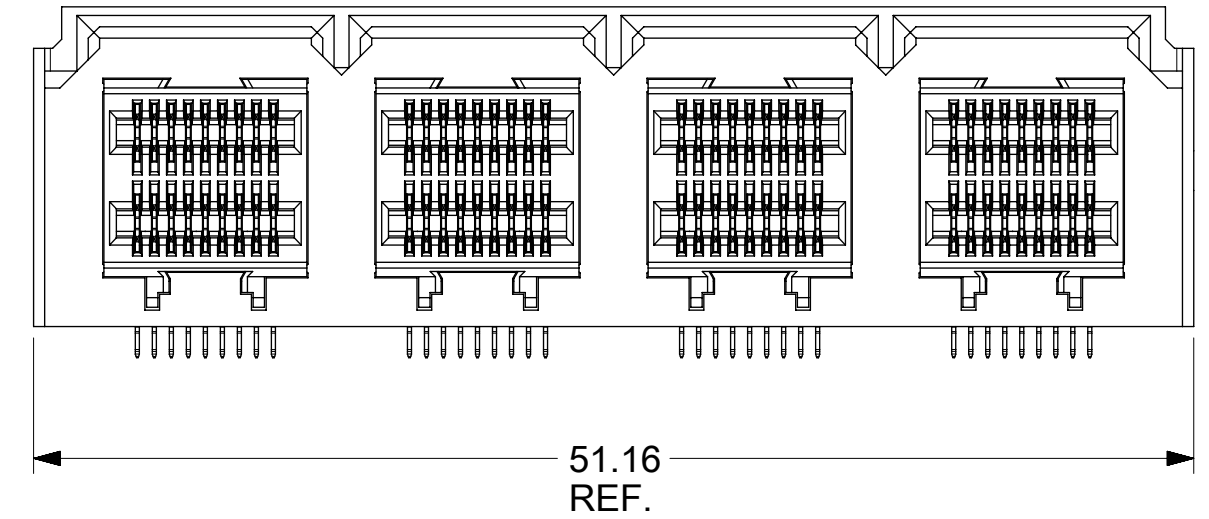
1 X 1



1 X 2



1 X 4



NOTES:

- MATERIALS:  
CONNECTOR HOUSING: HIGH TEMPERATURE THERMOPLASTIC  
GLASS FILLED, UL 94V-0  
TERMINALS: COPPER ALLOY
- FINISHES:  
CONTACT AREA: 0.76µm MIN. GOLD OVER 3.81µm MIN. NICKEL  
TAIL AREA (LEAD FREE): 0.76µm-1.52µm TIN OVER 1.27µm MIN. NICKEL
- PRODUCT SPECIFICATION: PS-76867-001
- PACKAGING SPECIFICATION: PK-76867-001
- MATES WITH: MOLEX CABLE SERIES 100171, 100189, 100190 & 100191
- MOUNTING HARDWARE NOT SUPPLIED, REFER TO APPLICATION SPECIFICATION AS-76867-001
- PLUG MODULE PCB LAYOUT REFER TO SD-76866-9900

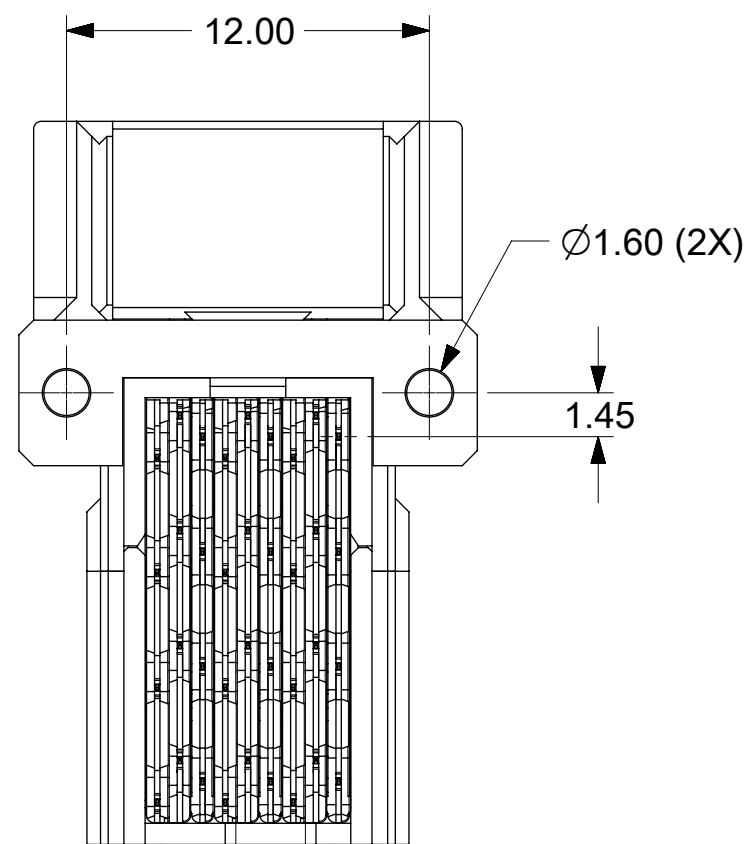
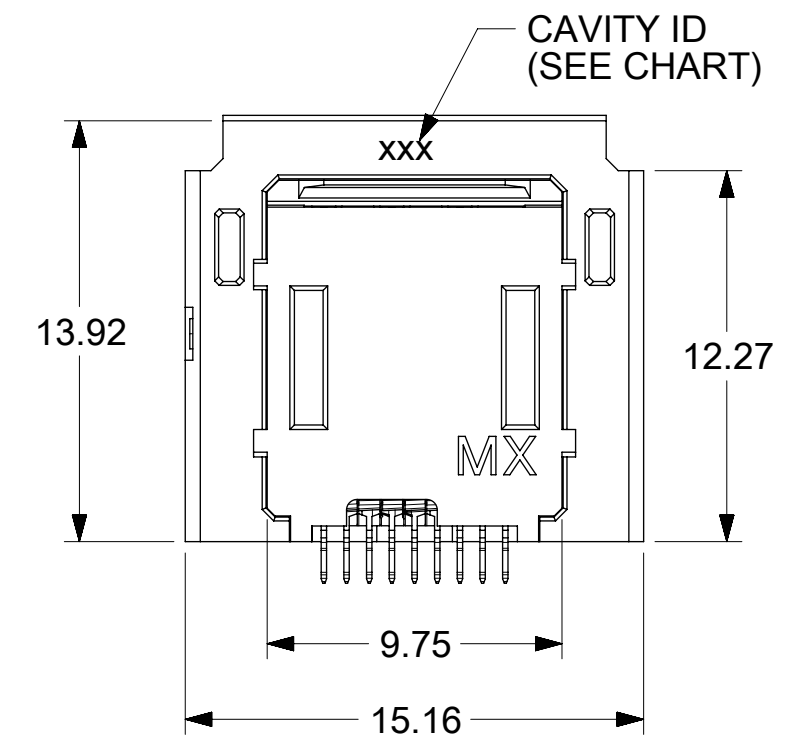
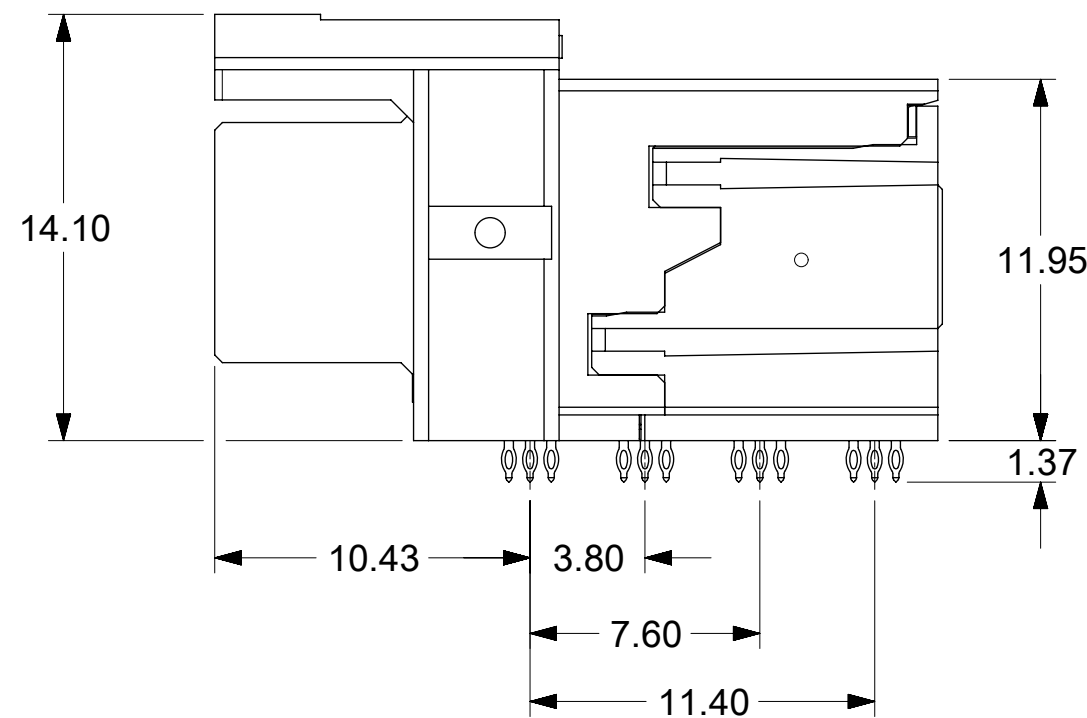
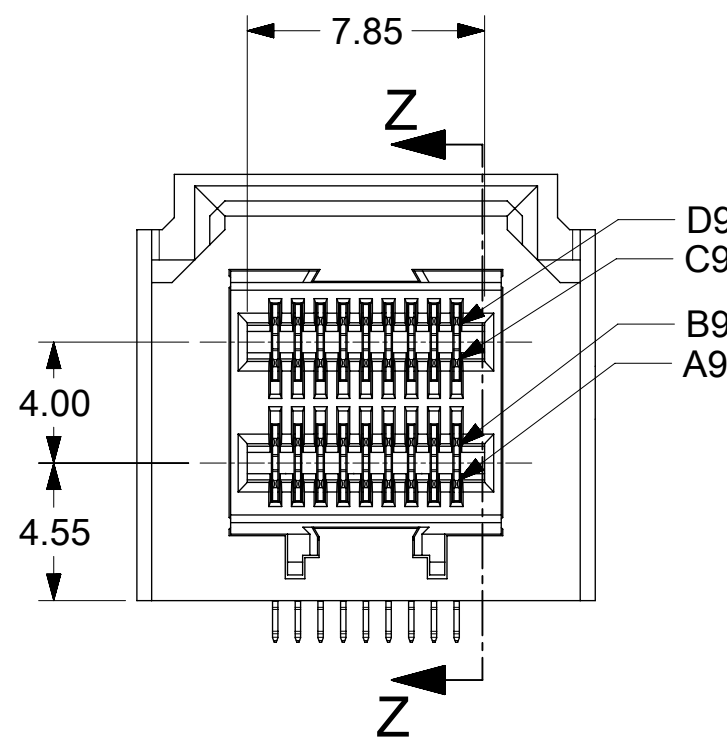
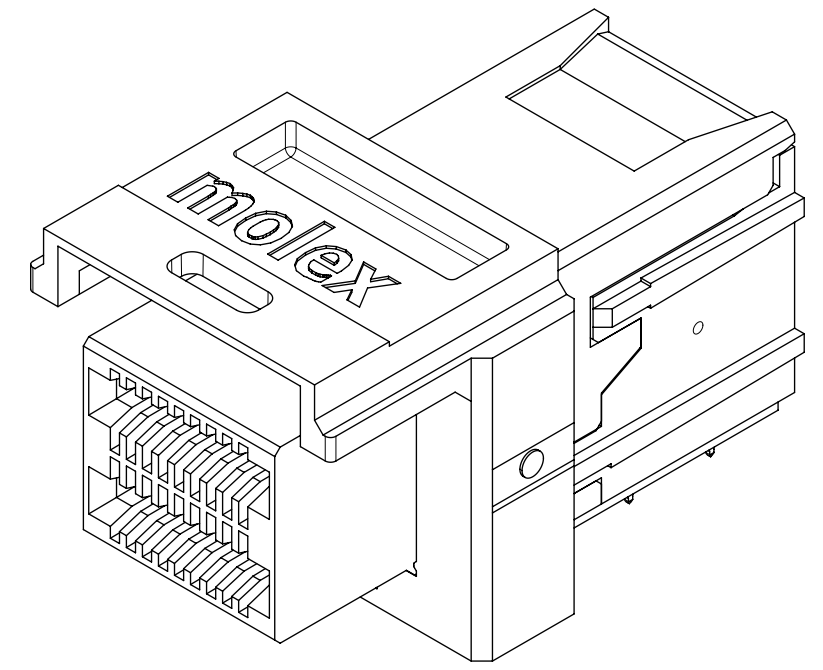
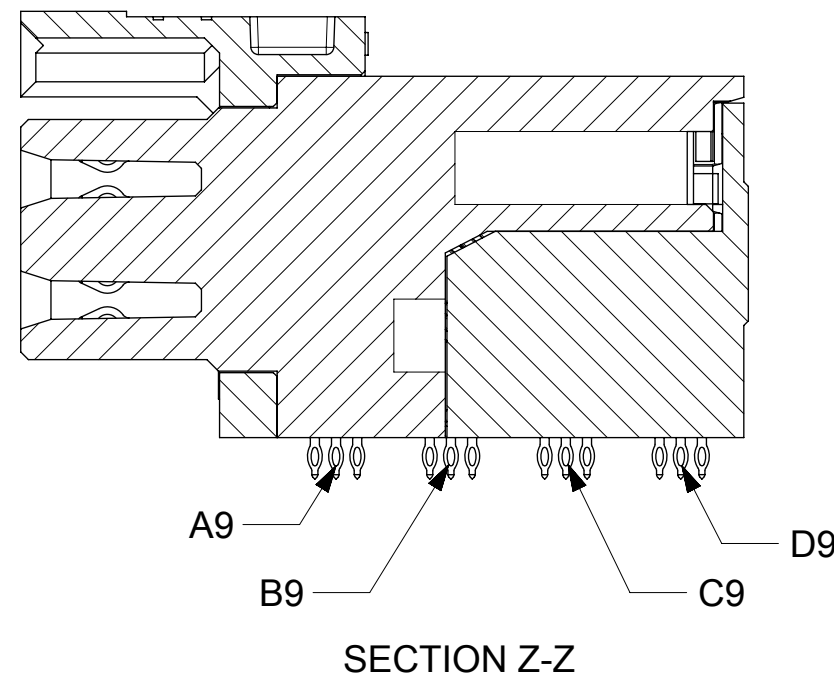
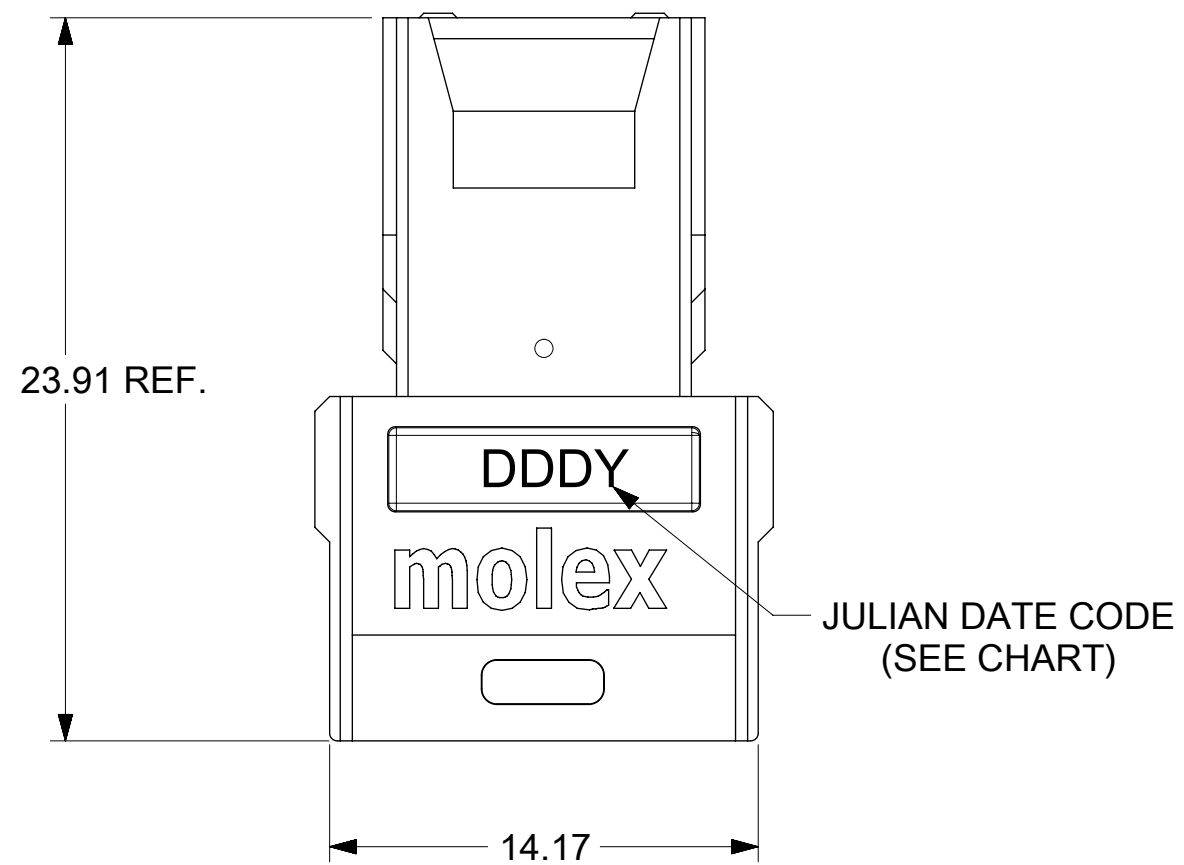
CONGIFURATION	MATERIAL NO.
1 X 1	768671011
1 X 2	768671012
1 X 4	768671013

THIS DRAWING CONTAINS INFORMATION THAT IS PROPRIETARY TO MOLEX ELECTRONIC TECHNOLOGIES, LLC AND SHOULD NOT BE USED WITHOUT WRITTEN PERMISSION

DIMENSION UNITS		SCALE		CURRENT REV/DESC: MIGRATED TO NX									
mm		2:1											
GENERAL TOLERANCES (UNLESS SPECIFIED)				EC NO: 173887				IPASS PLUS HD 12G INTERNAL					
				DRWN: ABABU01 2018/03/08									
4 PLACES ±				CHK'D: TMCLELLAND 2018/03/21				PRODUCT CUSTOMER DRAWING					
3 PLACES ±				APPR: TMCLELLAND 2018/03/21									
2 PLACES ± 0.13				INITIAL REVISION:				DOCUMENT NUMBER SD-76867-1000					
1 PLACE ± 0.25				DRWN: KLANG 2011/10/10									
0 PLACES ±				APPR: TMCLELL 2012/08/29				DOC TYPE DOC PART REVISION PSD 001 B2					
ANGULAR TOL ± 0.5°				THIRD ANGLE PROJECTION									
DRAFT WHERE APPLICABLE MUST REMAIN WITHIN DIMENSIONS				DRAWING		SERIES		MATERIAL NUMBER		CUSTOMER		SHEET NUMBER	
				C-SIZE		76867		SEE CHART		GENERAL MARKET		1 OF 10	

DOCUMENT STATUS	P1	RELEASE DATE	2018/03/21	13:32:11
-----------------	----	--------------	------------	----------

# 1 X 1 ASSEMBLY

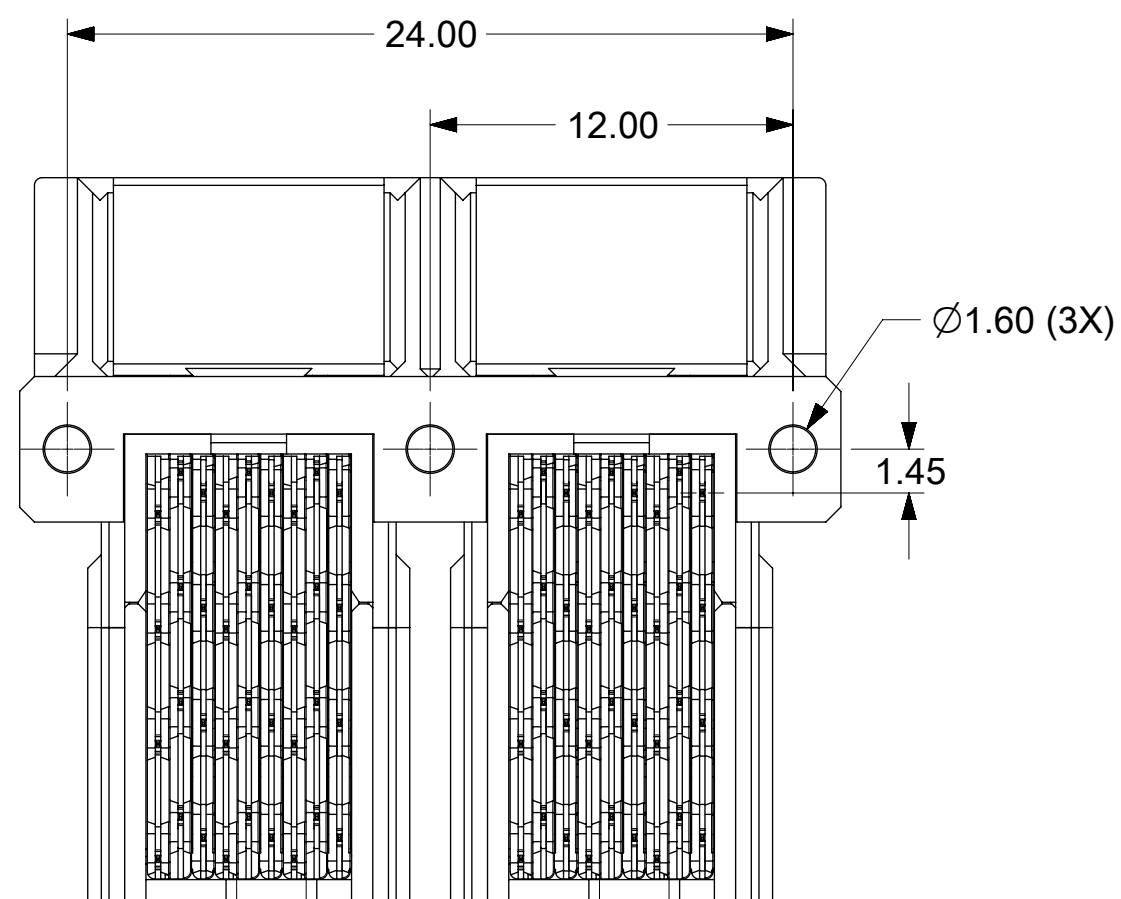
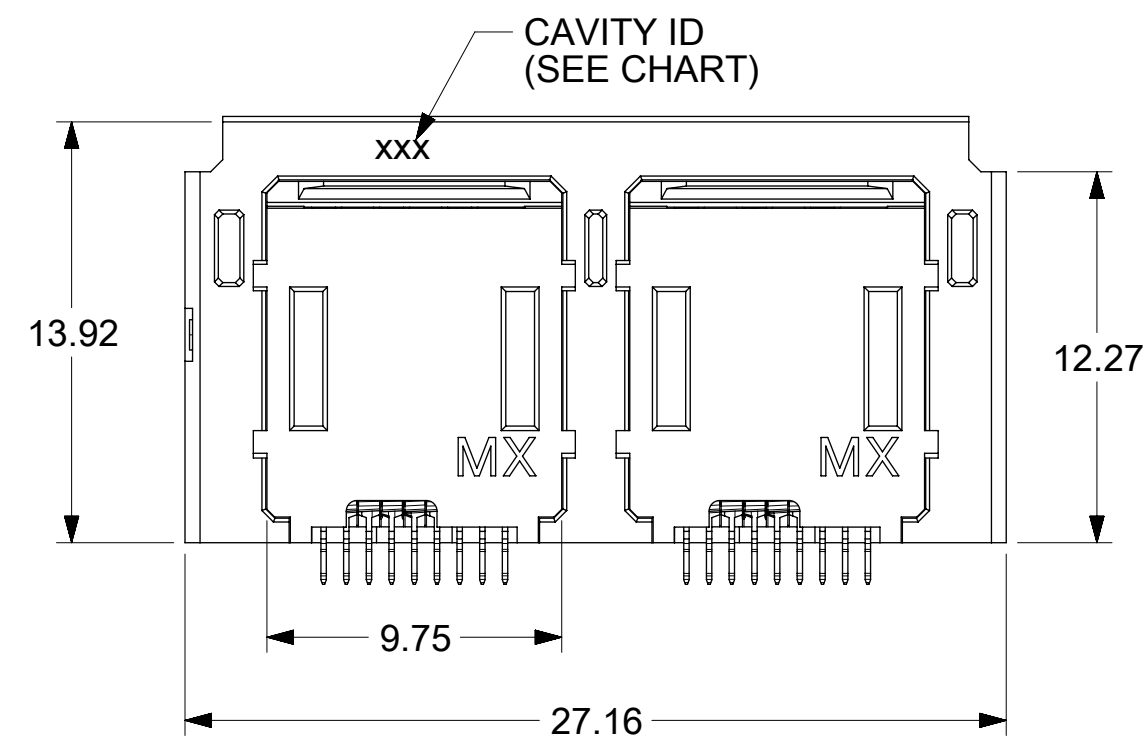
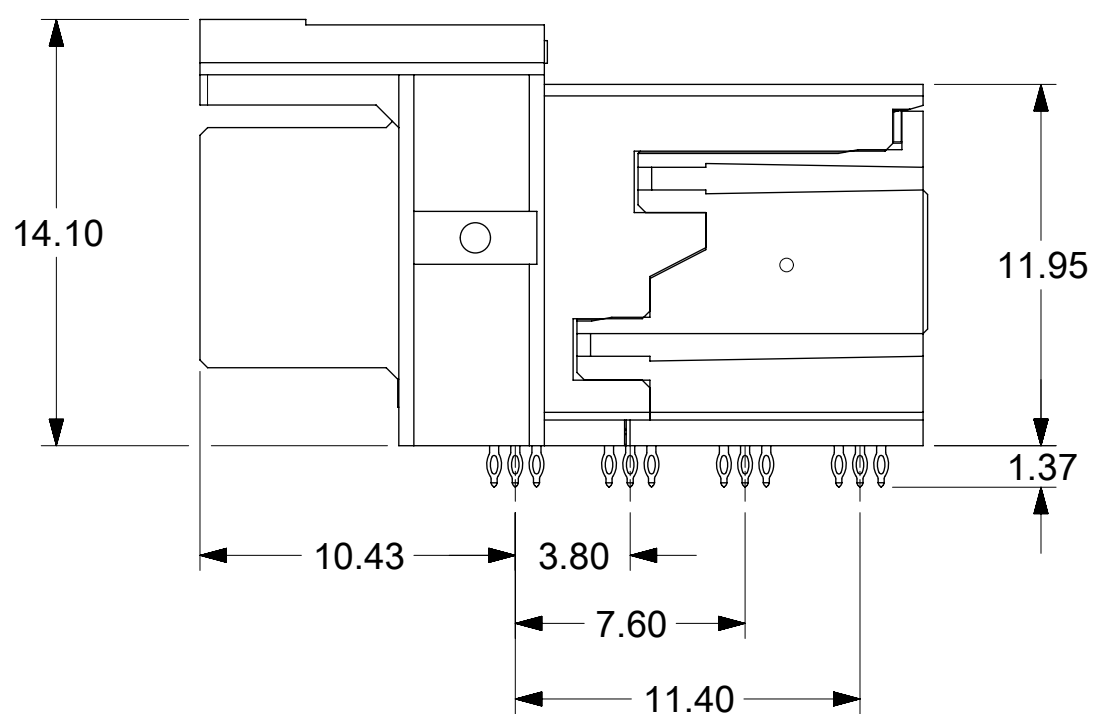
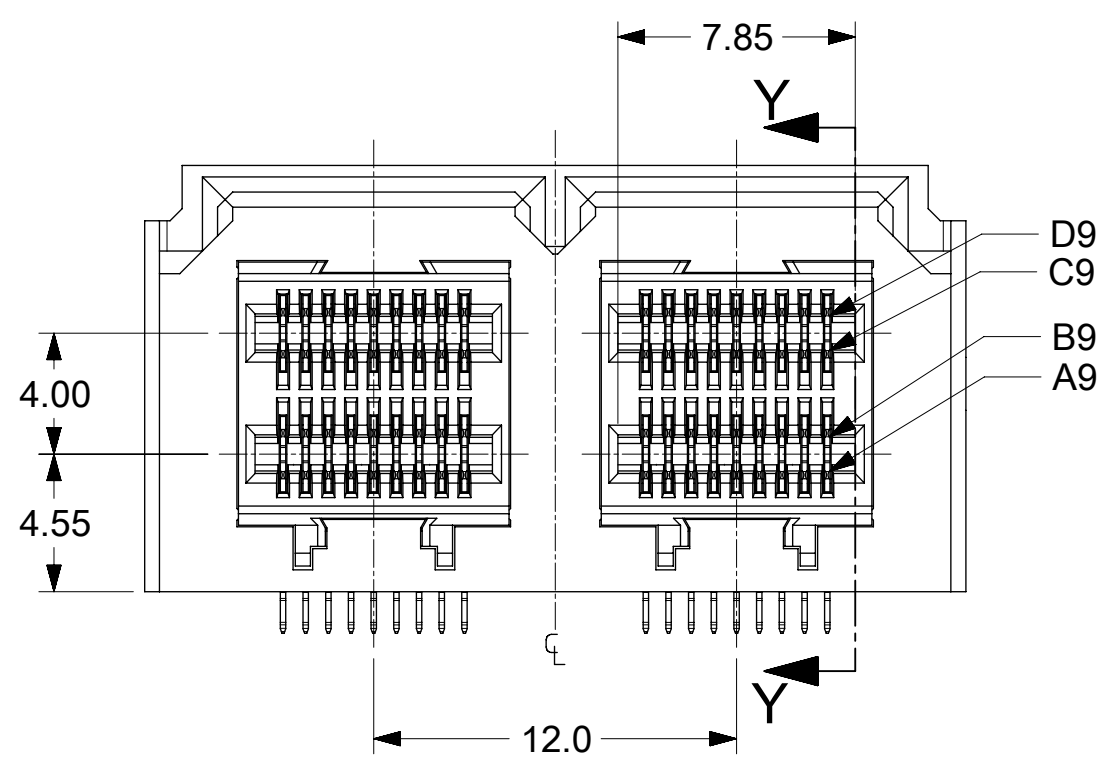
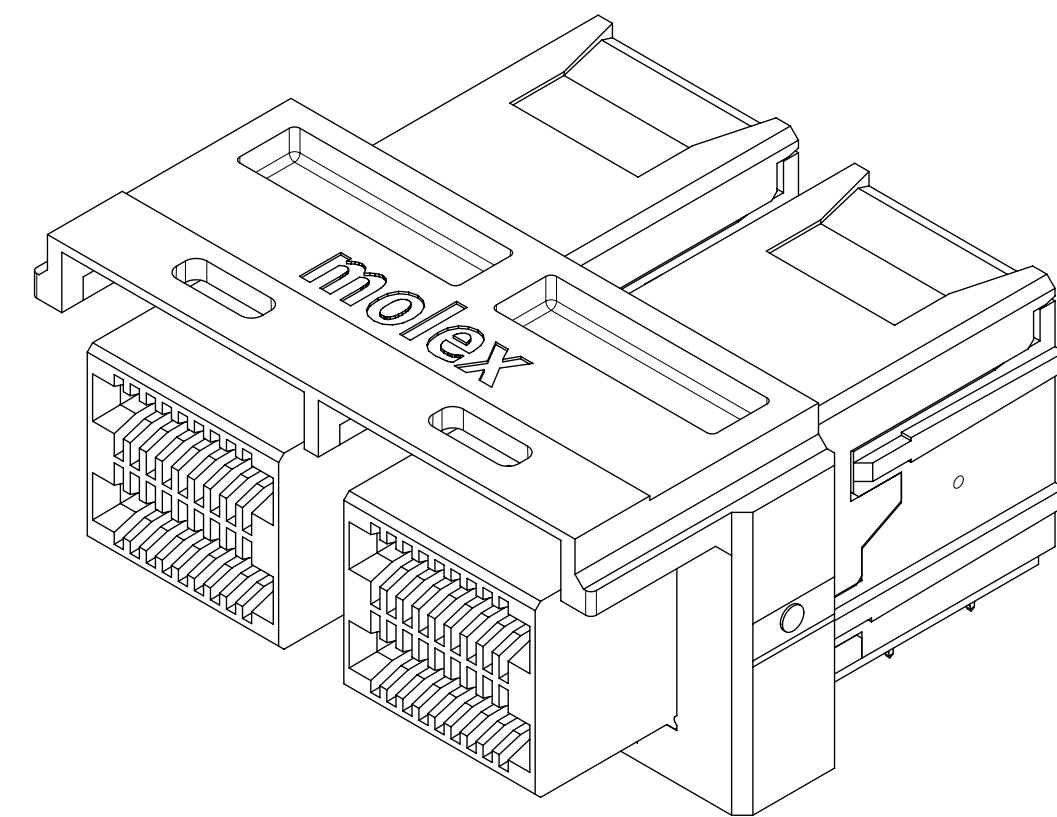
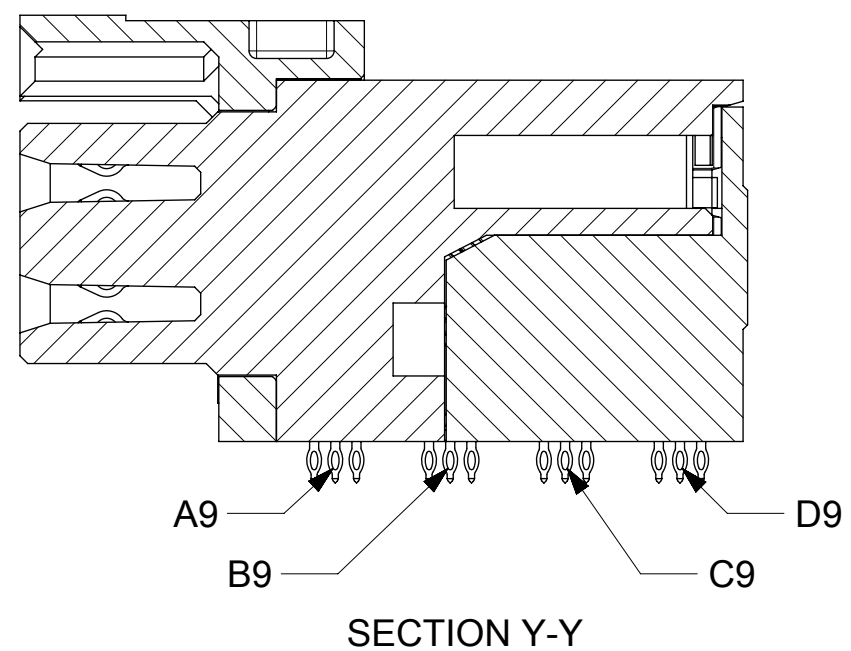
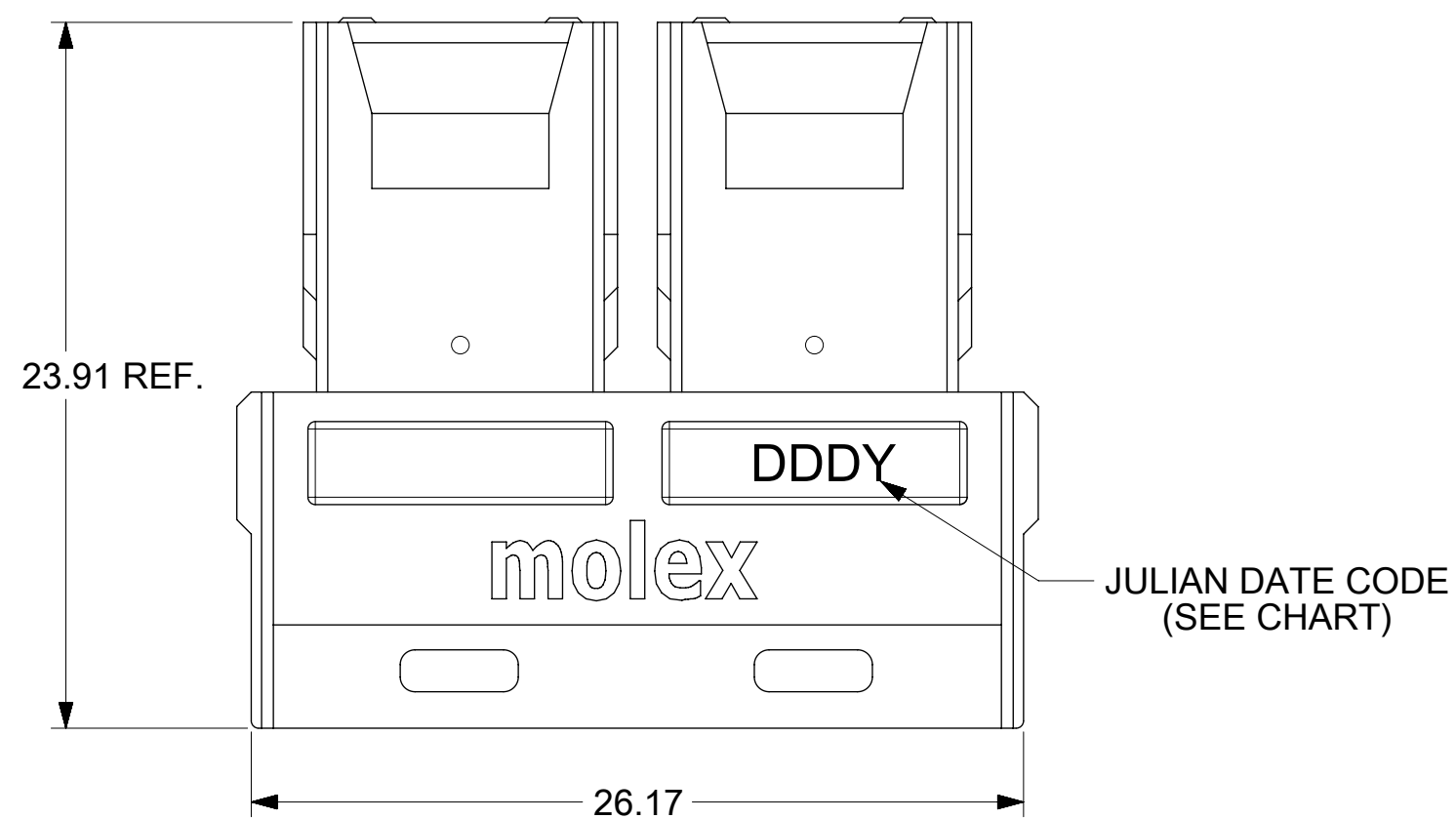


MEXICO/USA	DDDY	MX 1-4
CHINA	MSHDDDY	MSH B1-B4
MANUFACTURING LOCATION	DATE CODE	LATCH FRAME CAVITY ID

THIS DRAWING CONTAINS INFORMATION THAT IS PROPRIETARY TO MOLEX ELECTRONIC TECHNOLOGIES, LLC AND SHOULD NOT BE USED WITHOUT WRITTEN PERMISSION

DIMENSION UNITS	SCALE	CURRENT REV DESC: MIGRATED TO NX				
mm	4:1					
GENERAL TOLERANCES (UNLESS SPECIFIED)				IPASS PLUS HD 12G INTERNAL		
	MM	INCH		PRODUCT CUSTOMER DRAWING		
4 PLACES	±	±		DOCUMENT NUMBER		
3 PLACES	±	±		DOC TYPE		
2 PLACES	± 0.13	±		DOC PART		
1 PLACE	± 0.25	±		REVISION		
0 PLACES	±	±		SD-76867-1000		
ANGULAR TOL	± 0.5 °			PSD	001	B2
DRAFT WHERE APPLICABLE MUST REMAIN WITHIN DIMENSIONS				MATERIAL NUMBER		SHEET NUMBER
THIRD ANGLE PROJECTION				CUSTOMER		2 OF 10
DRAWING				GENERAL MARKET		
SERIES						
C-SIZE						
76867						

# 1 X 2 ASSEMBLY

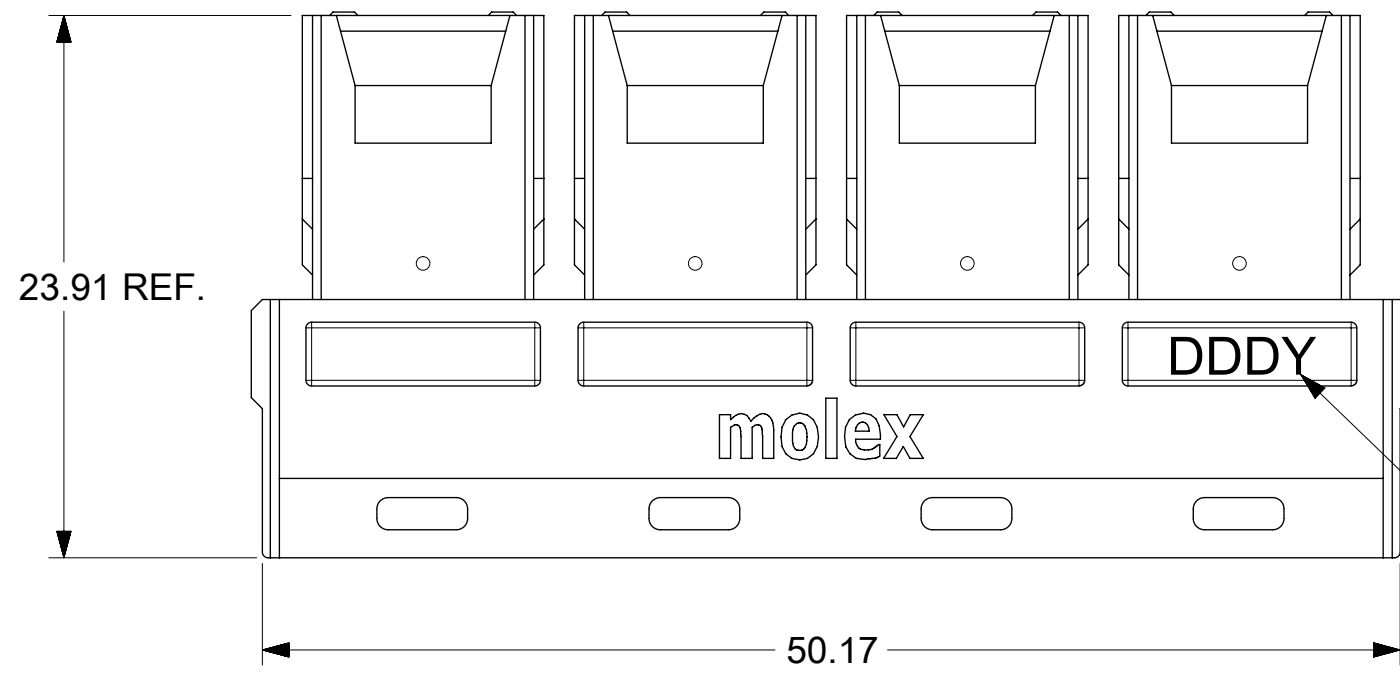


MEXICO/USA	DDDY	MX 1-4
CHINA	MSHDDDY	MSH1-4
MANUFACTURING LOCATION	DATE CODE	LATCH FRAME CAVITY ID

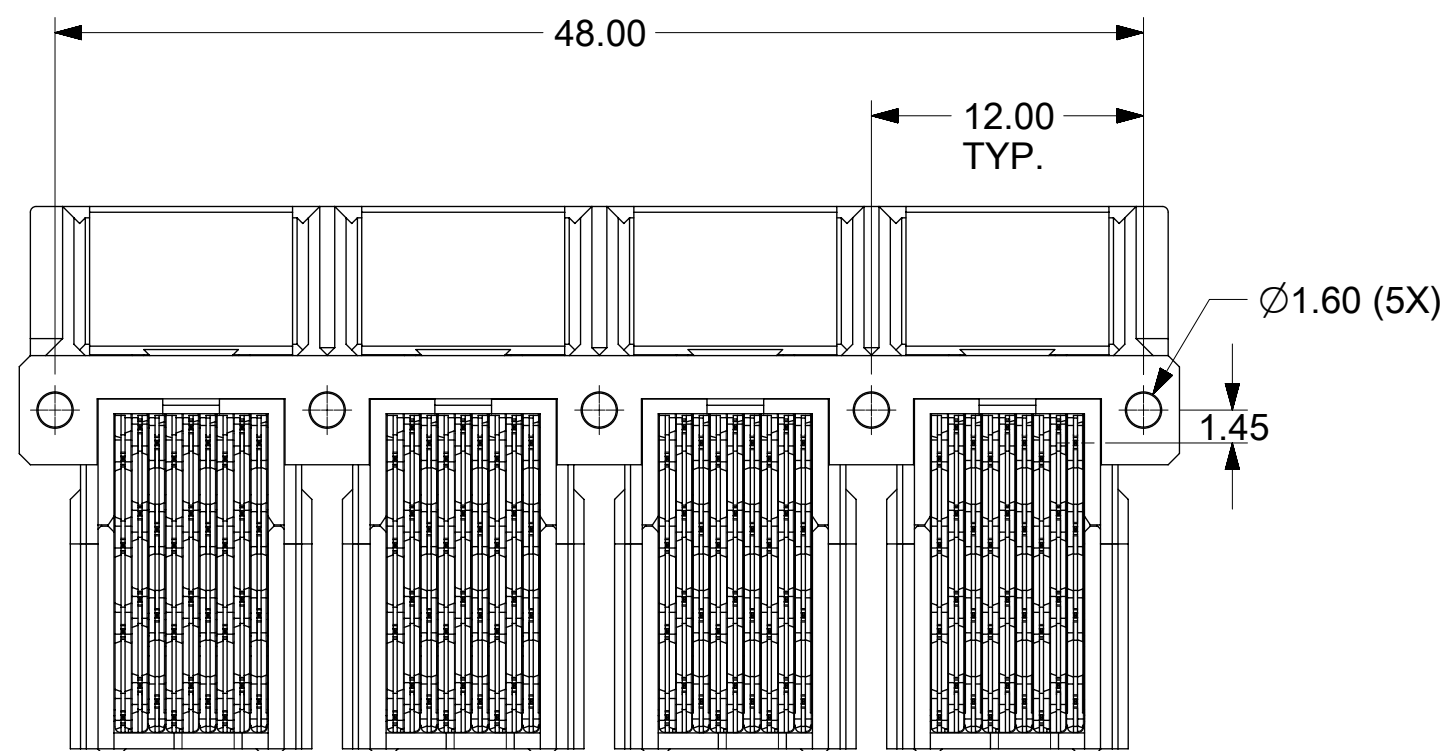
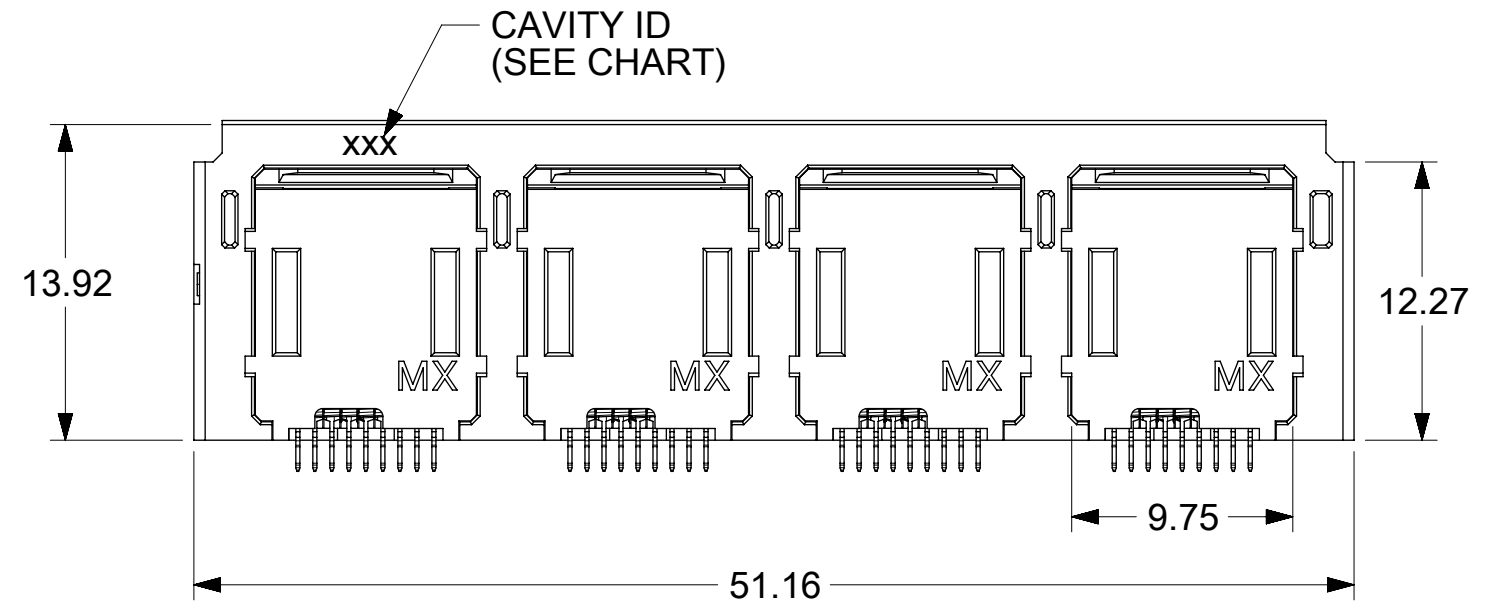
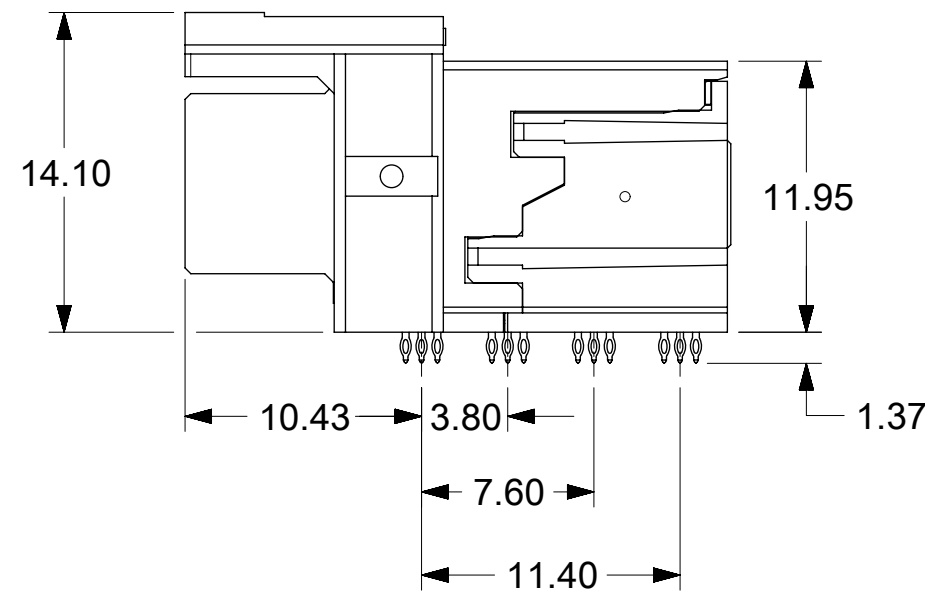
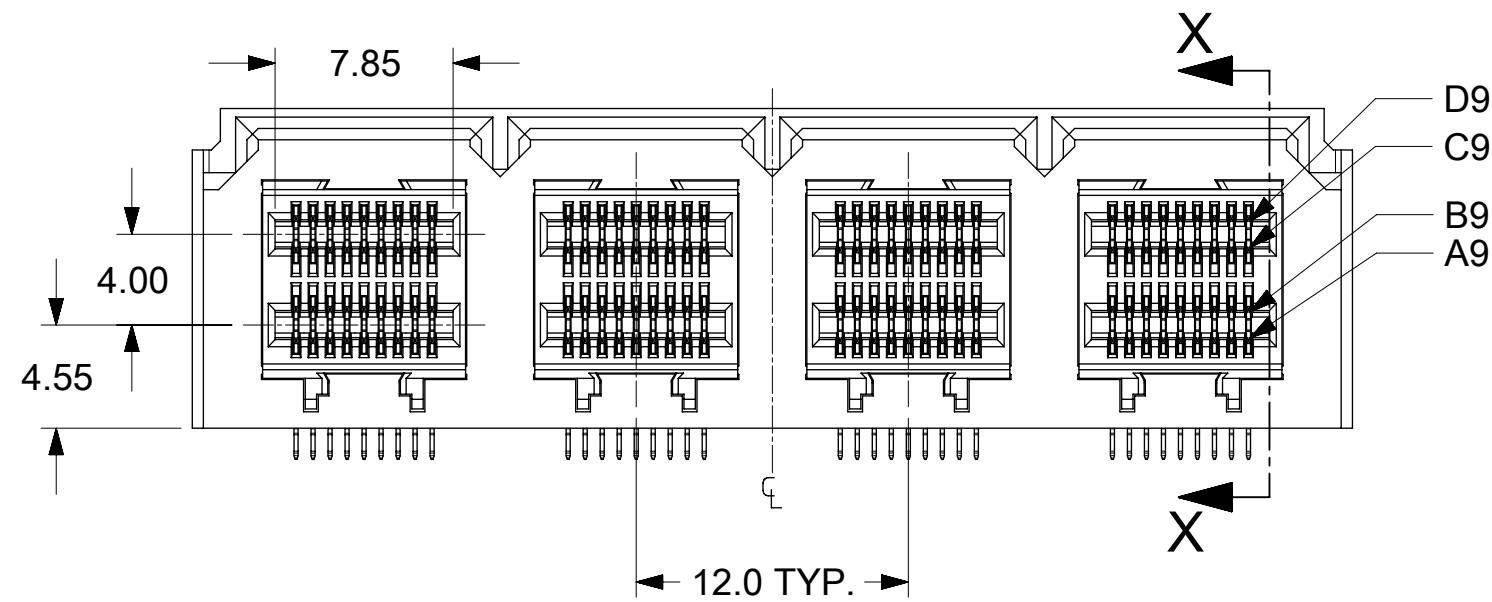
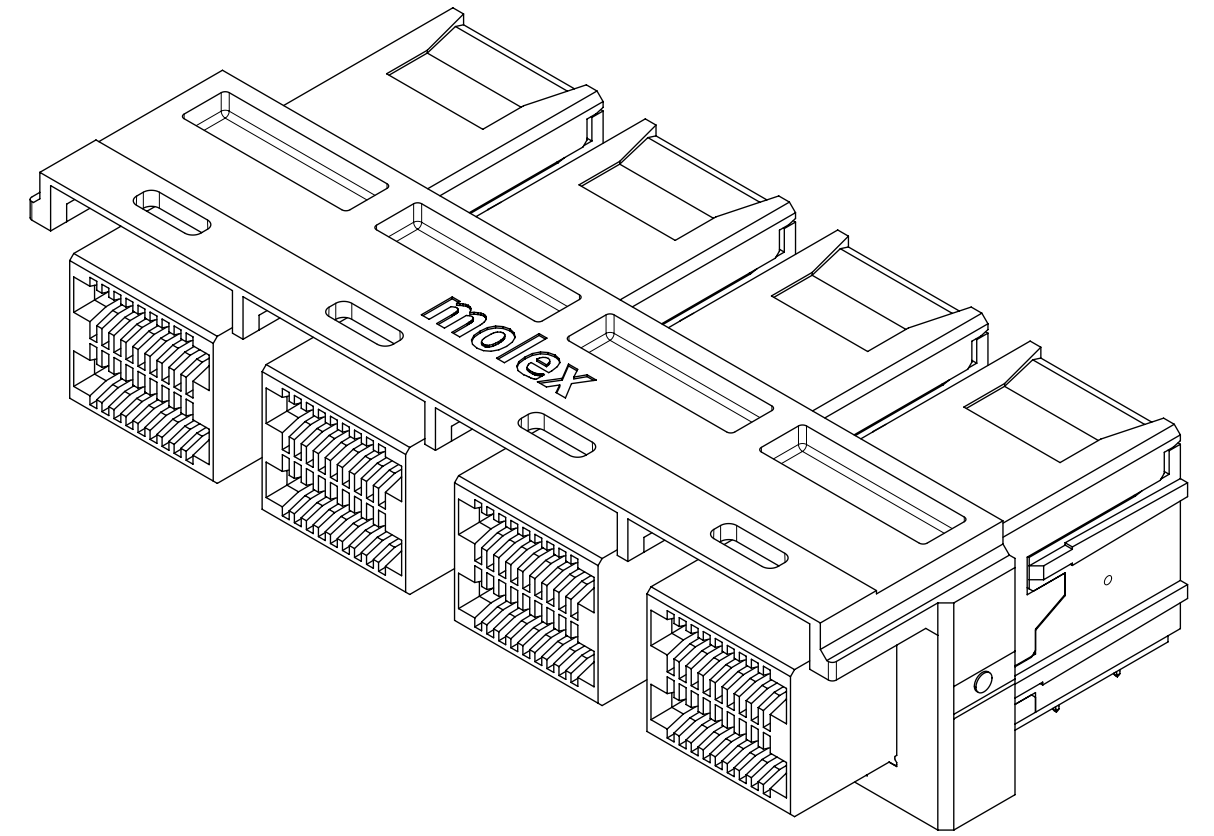
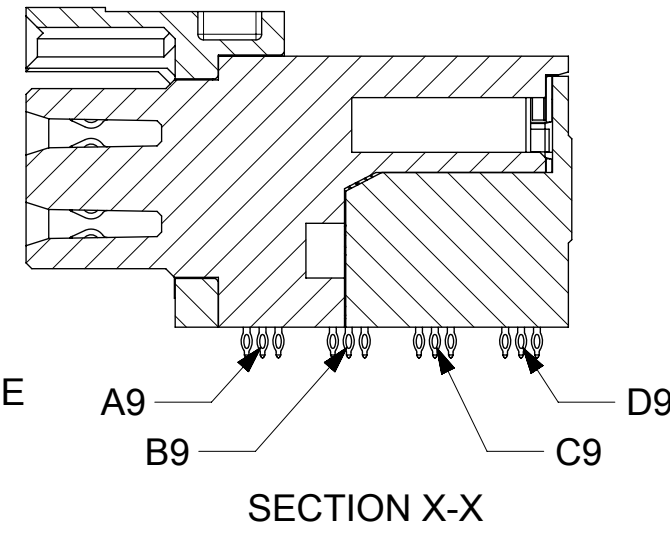
THIS DRAWING CONTAINS INFORMATION THAT IS PROPRIETARY TO MOLEX ELECTRONIC TECHNOLOGIES, LLC AND SHOULD NOT BE USED WITHOUT WRITTEN PERMISSION									
DIMENSION UNITS		SCALE		CURRENT REV/DESC: MIGRATED TO NX					
mm		4:1		<b>molex</b> IPASS PLUS HD 12G INTERNAL PRODUCT CUSTOMER DRAWING					
GENERAL TOLERANCES (UNLESS SPECIFIED)									
	MM	INCH							
4 PLACES	±								
3 PLACES	±								
2 PLACES	± 0.13			EC NO: 173887 DRWN: ABABU01 2018/03/08 CHK'D: TMCLELLAND 2018/03/21 APPR: TMCLELLAND 2018/03/21					
1 PLACE	± 0.25			INITIAL REVISION: DRWN: KLANG 2011/10/10 APPR: TMCLELL 2012/08/29					
0 PLACES	±			DOCUMENT NUMBER: <b>SD-76867-1000</b> DOC TYPE: PSD DOC PART: 001 REVISION: B2					
ANGULAR TOL ± 0.5°				THIRD ANGLE PROJECTION		DRAWING		SERIES	
DRAFT WHERE APPLICABLE MUST REMAIN WITHIN DIMENSIONS				C-SIZE		76867		SHEET NUMBER	
				SEE CHART		GENERAL MARKET		3 OF 10	

DOCUMENT STATUS	P1	RELEASE DATE	2018/03/21	13:32:11
-----------------	----	--------------	------------	----------

# 1 X 4 ASSEMBLY



JULIAN DATE CODE  
(SEE CHART)



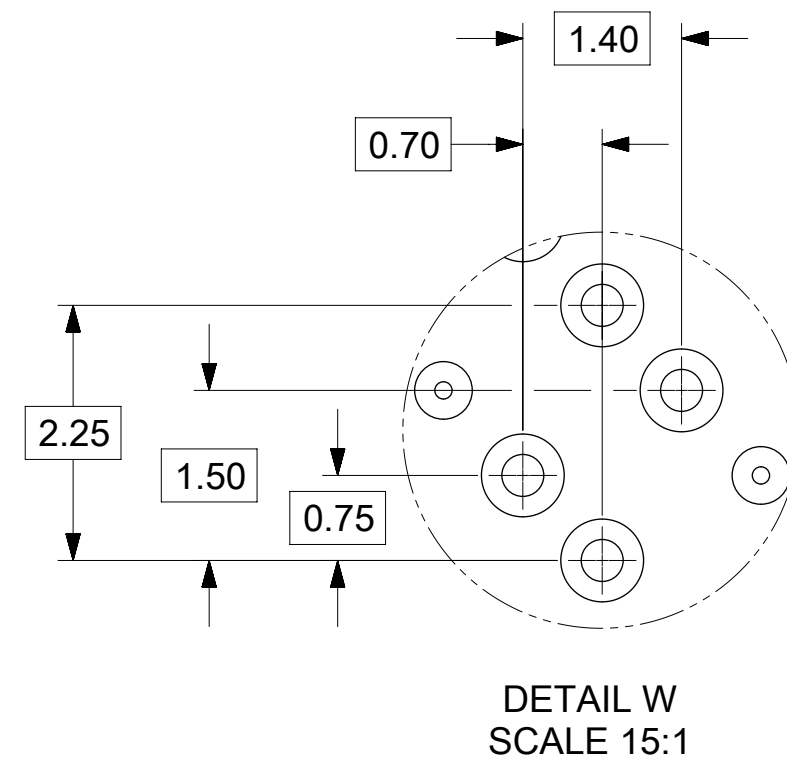
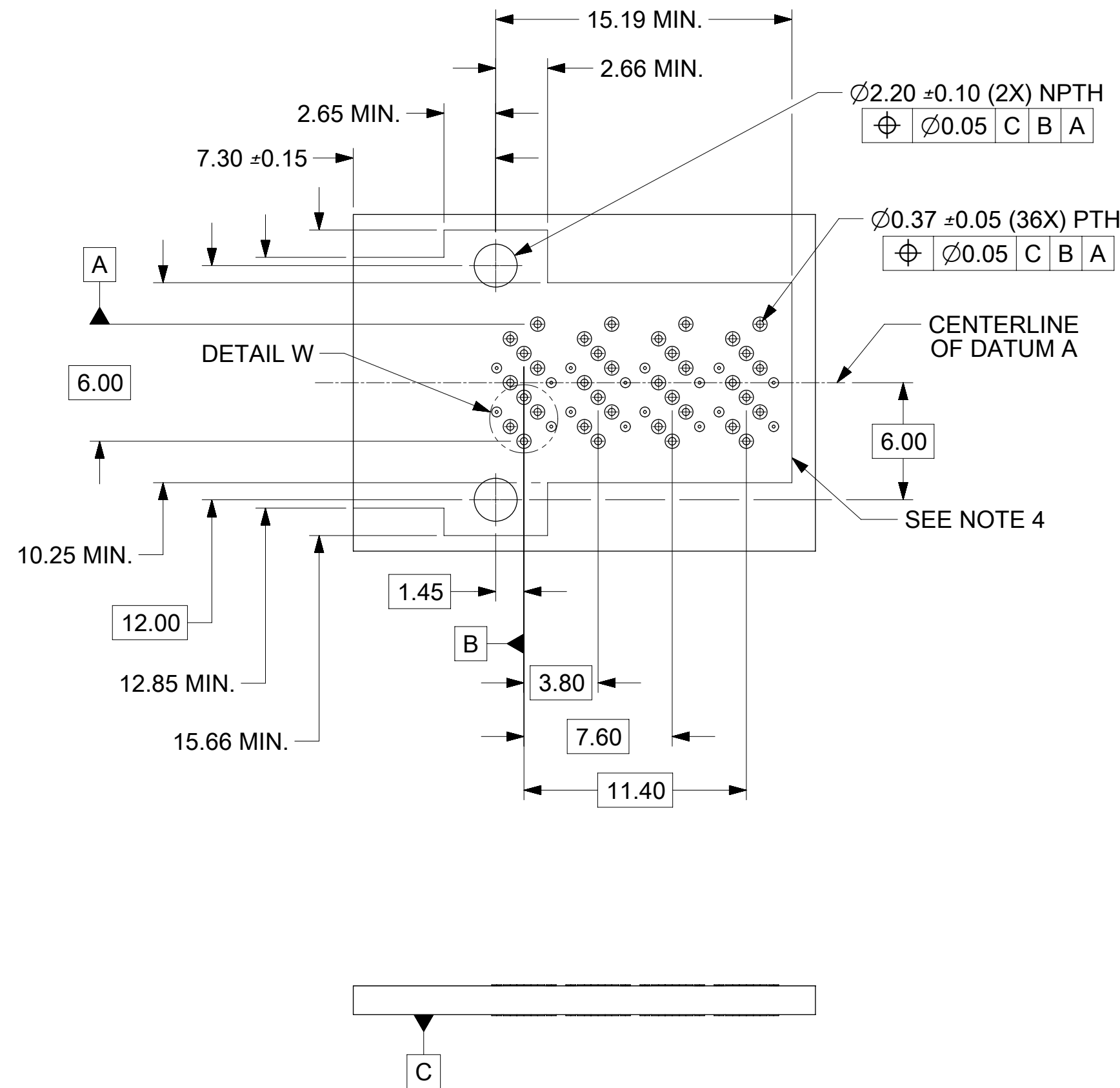
MEXICO/USA	DDDY	MX 1-4
CHINA	MSHDDDY	MSH1-4
MANUFACTURING LOCATION	DATE CODE	LATCH FRAME CAVITY ID

THIS DRAWING CONTAINS INFORMATION THAT IS PROPRIETARY TO MOLEX ELECTRONIC TECHNOLOGIES, LLC AND SHOULD NOT BE USED WITHOUT WRITTEN PERMISSION

DIMENSION UNITS		SCALE		CURRENT REV / DESC: MIGRATED TO NX							
mm		3:1									
GENERAL TOLERANCES (UNLESS SPECIFIED)				EC NO: 173887				IPASS PLUS HD 12G INTERNAL PRODUCT CUSTOMER DRAWING			
		MM	INCH	DRWN: ABABU01		2018/03/08					
4 PLACES		±	±	CHK'D: TMCLELLAND		2018/03/21					
3 PLACES		±	±	APPR: TMCLELLAND		2018/03/21					
2 PLACES		±	0.13	INITIAL REVISION:				DOCUMENT NUMBER			
1 PLACE		±	0.25	DRWN: KLANG		2011/10/10		SD-76867-1000			
0 PLACES		±	±	APPR: TMCLELL		2012/08/29		DOC TYPE   DOC PART   REVISION			
ANGULAR TOL		±	0.5 °					PSD   001   B2			
DRAFT WHERE APPLICABLE MUST REMAIN WITHIN DIMENSIONS				THIRD ANGLE PROJECTION		DRAWING		MATERIAL NUMBER		CUSTOMER	
						C-SIZE		SEE CHART		GENERAL MARKET	
						SERIES		SHEET NUMBER		4 OF 10	
						76867					

DOCUMENT STATUS	P1	RELEASE DATE	2018/03/21	13:32:11
-----------------	----	--------------	------------	----------

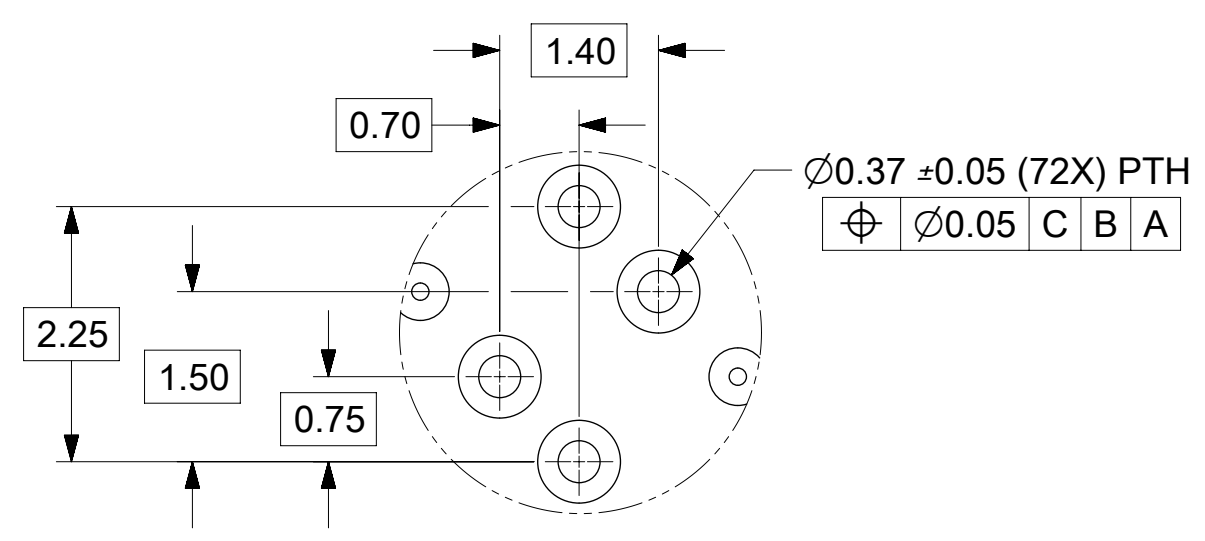
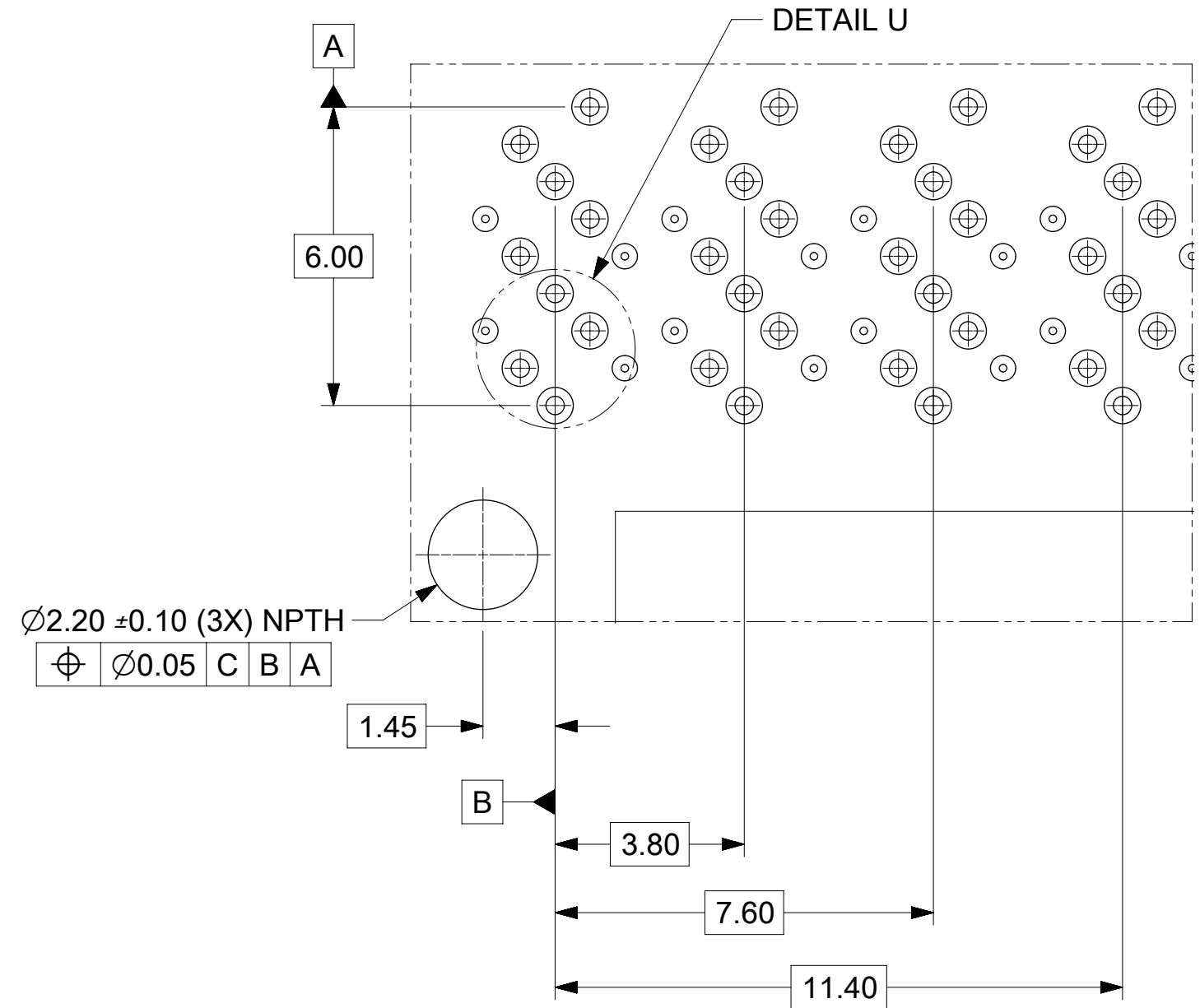
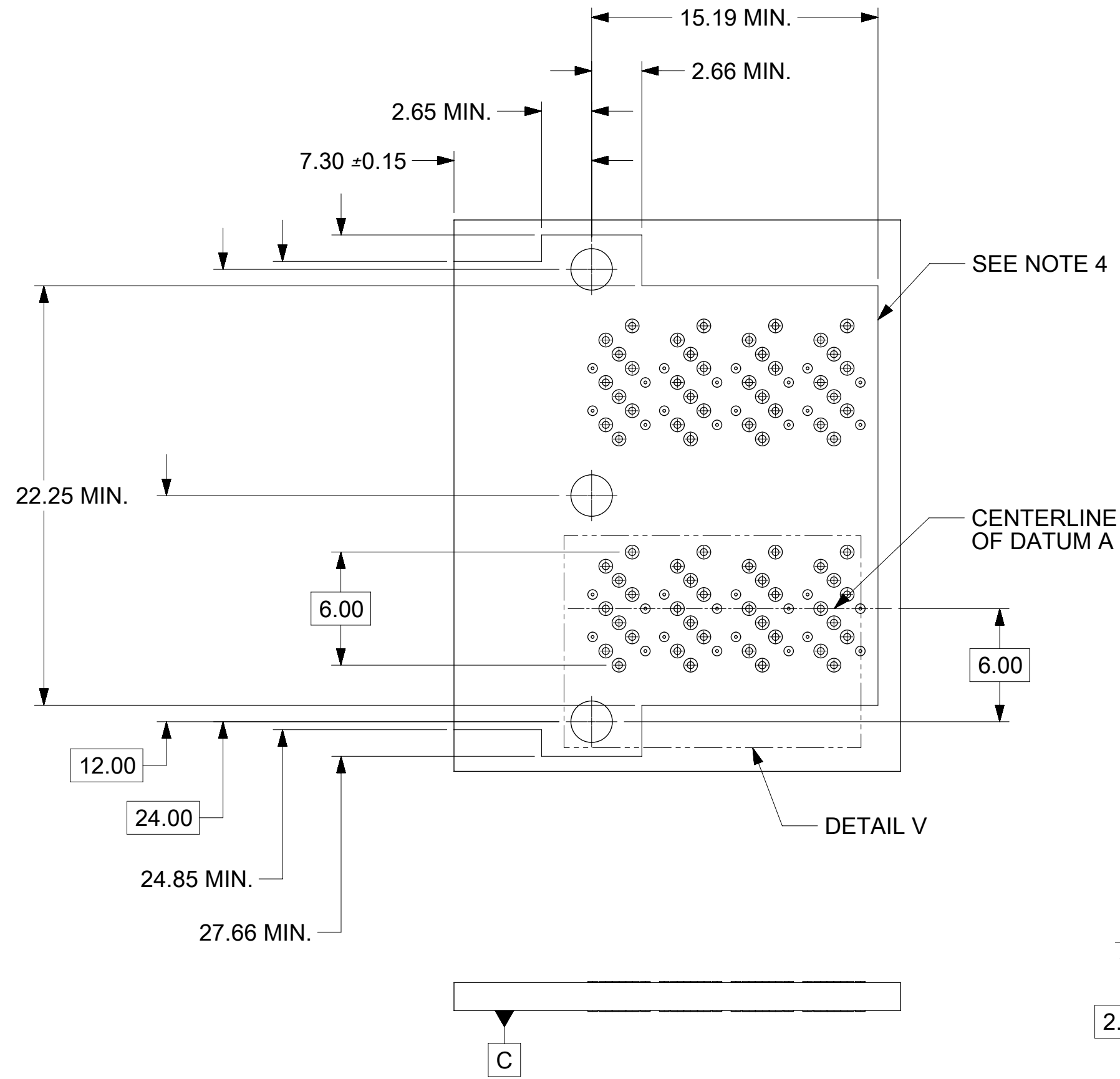
# 1 X 1 RECOMMENDED FOOTPRINT



- NOTES:
- RECOMMENDED DRILL AND ANNULAR RING SIZE FOR A 0.37 $\phi$  FINISHED PTH - REFER TO APPLICATION SPECIFICATION AS-76867-0001
  - MINIMUM RECOMMENDED SPACING: 16.00mm
  - MINIMUM PCB THICKNESS: 1.57mm
  - CONNECTOR KEEP OUT AREA

THIS DRAWING CONTAINS INFORMATION THAT IS PROPRIETARY TO MOLEX ELECTRONIC TECHNOLOGIES, LLC AND SHOULD NOT BE USED WITHOUT WRITTEN PERMISSION																																																																																																																																								
DIMENSION UNITS		SCALE		CURRENT REV DESC: MIGRATED TO NX																																																																																																																																				
mm		4:1		<table border="0"> <tr> <td colspan="2">GENERAL TOLERANCES (UNLESS SPECIFIED)</td> <td colspan="2">EC NO: 173887</td> <td colspan="2" rowspan="3"> <table border="0"> <tr> <td colspan="2">IPASS PLUS HD 12G INTERNAL</td> </tr> <tr> <td colspan="2">PRODUCT CUSTOMER DRAWING</td> </tr> <tr> <td>DOCUMENT NUMBER</td> <td>DOC TYPE</td> <td>DOC PART</td> <td>REVISION</td> </tr> <tr> <td colspan="2">SD-76867-1000</td> <td>PSD</td> <td>001</td> <td>B2</td> </tr> </table> </td> </tr> <tr> <td>4 PLACES</td> <td>±</td> <td>±</td> <td>±</td> <td colspan="2">DRWN: ABABU01</td> <td colspan="2">2018/03/08</td> </tr> <tr> <td>3 PLACES</td> <td>±</td> <td>±</td> <td>±</td> <td colspan="2">CHK'D: TMCLELLAND</td> <td colspan="2">2018/03/21</td> </tr> <tr> <td>2 PLACES</td> <td>±</td> <td>0.13</td> <td>±</td> <td colspan="2">APPR: TMCLELLAND</td> <td colspan="2">2018/03/21</td> </tr> <tr> <td>1 PLACE</td> <td>±</td> <td>0.25</td> <td>±</td> <td colspan="4">INITIAL REVISION:</td> </tr> <tr> <td>0 PLACES</td> <td>±</td> <td>±</td> <td>±</td> <td colspan="2">DRWN: KLANG</td> <td colspan="2">2011/10/10</td> </tr> <tr> <td colspan="2">ANGULAR TOL</td> <td colspan="2">± 0.5 °</td> <td colspan="2">APPR: TMCLELL</td> <td colspan="2">2012/08/29</td> </tr> <tr> <td colspan="2">DRAFT WHERE APPLICABLE MUST REMAIN WITHIN DIMENSIONS</td> <td colspan="2">THIRD ANGLE PROJECTION</td> <td colspan="2">DRAWING</td> <td colspan="2">SERIES</td> <td colspan="2">MATERIAL NUMBER</td> </tr> <tr> <td colspan="2"></td> <td colspan="2"> </td> <td colspan="2">C-SIZE</td> <td colspan="2">76867</td> <td colspan="2">SEE CHART</td> </tr> <tr> <td colspan="2"></td> <td colspan="2"></td> <td colspan="2"></td> <td colspan="2"></td> <td colspan="2">CUSTOMER</td> </tr> <tr> <td colspan="2"></td> <td colspan="2"></td> <td colspan="2"></td> <td colspan="2"></td> <td colspan="2">GENERAL MARKET</td> </tr> <tr> <td colspan="2"></td> <td colspan="2"></td> <td colspan="2"></td> <td colspan="2"></td> <td colspan="2">SHEET NUMBER</td> </tr> <tr> <td colspan="2"></td> <td colspan="2"></td> <td colspan="2"></td> <td colspan="2"></td> <td colspan="2">5 OF 10</td> </tr> </table>						GENERAL TOLERANCES (UNLESS SPECIFIED)		EC NO: 173887		<table border="0"> <tr> <td colspan="2">IPASS PLUS HD 12G INTERNAL</td> </tr> <tr> <td colspan="2">PRODUCT CUSTOMER DRAWING</td> </tr> <tr> <td>DOCUMENT NUMBER</td> <td>DOC TYPE</td> <td>DOC PART</td> <td>REVISION</td> </tr> <tr> <td colspan="2">SD-76867-1000</td> <td>PSD</td> <td>001</td> <td>B2</td> </tr> </table>		IPASS PLUS HD 12G INTERNAL		PRODUCT CUSTOMER DRAWING		DOCUMENT NUMBER	DOC TYPE	DOC PART	REVISION	SD-76867-1000		PSD	001	B2	4 PLACES	±	±	±	DRWN: ABABU01		2018/03/08		3 PLACES	±	±	±	CHK'D: TMCLELLAND		2018/03/21		2 PLACES	±	0.13	±	APPR: TMCLELLAND		2018/03/21		1 PLACE	±	0.25	±	INITIAL REVISION:				0 PLACES	±	±	±	DRWN: KLANG		2011/10/10		ANGULAR TOL		± 0.5 °		APPR: TMCLELL		2012/08/29		DRAFT WHERE APPLICABLE MUST REMAIN WITHIN DIMENSIONS		THIRD ANGLE PROJECTION		DRAWING		SERIES		MATERIAL NUMBER						C-SIZE		76867		SEE CHART										CUSTOMER										GENERAL MARKET										SHEET NUMBER										5 OF 10	
GENERAL TOLERANCES (UNLESS SPECIFIED)		EC NO: 173887								<table border="0"> <tr> <td colspan="2">IPASS PLUS HD 12G INTERNAL</td> </tr> <tr> <td colspan="2">PRODUCT CUSTOMER DRAWING</td> </tr> <tr> <td>DOCUMENT NUMBER</td> <td>DOC TYPE</td> <td>DOC PART</td> <td>REVISION</td> </tr> <tr> <td colspan="2">SD-76867-1000</td> <td>PSD</td> <td>001</td> <td>B2</td> </tr> </table>		IPASS PLUS HD 12G INTERNAL				PRODUCT CUSTOMER DRAWING		DOCUMENT NUMBER	DOC TYPE	DOC PART	REVISION	SD-76867-1000		PSD	001	B2																																																																																																														
IPASS PLUS HD 12G INTERNAL																																																																																																																																								
PRODUCT CUSTOMER DRAWING																																																																																																																																								
DOCUMENT NUMBER	DOC TYPE	DOC PART	REVISION																																																																																																																																					
SD-76867-1000		PSD	001							B2																																																																																																																														
4 PLACES	±	±	±	DRWN: ABABU01		2018/03/08																																																																																																																																		
3 PLACES	±	±	±	CHK'D: TMCLELLAND		2018/03/21																																																																																																																																		
2 PLACES	±	0.13	±	APPR: TMCLELLAND		2018/03/21																																																																																																																																		
1 PLACE	±	0.25	±	INITIAL REVISION:																																																																																																																																				
0 PLACES	±	±	±	DRWN: KLANG		2011/10/10																																																																																																																																		
ANGULAR TOL		± 0.5 °		APPR: TMCLELL		2012/08/29																																																																																																																																		
DRAFT WHERE APPLICABLE MUST REMAIN WITHIN DIMENSIONS		THIRD ANGLE PROJECTION		DRAWING		SERIES		MATERIAL NUMBER																																																																																																																																
				C-SIZE		76867		SEE CHART																																																																																																																																
								CUSTOMER																																																																																																																																
								GENERAL MARKET																																																																																																																																
								SHEET NUMBER																																																																																																																																
								5 OF 10																																																																																																																																
DOCUMENT STATUS				P1	RELEASE DATE		2018/03/21	13:32:11																																																																																																																																

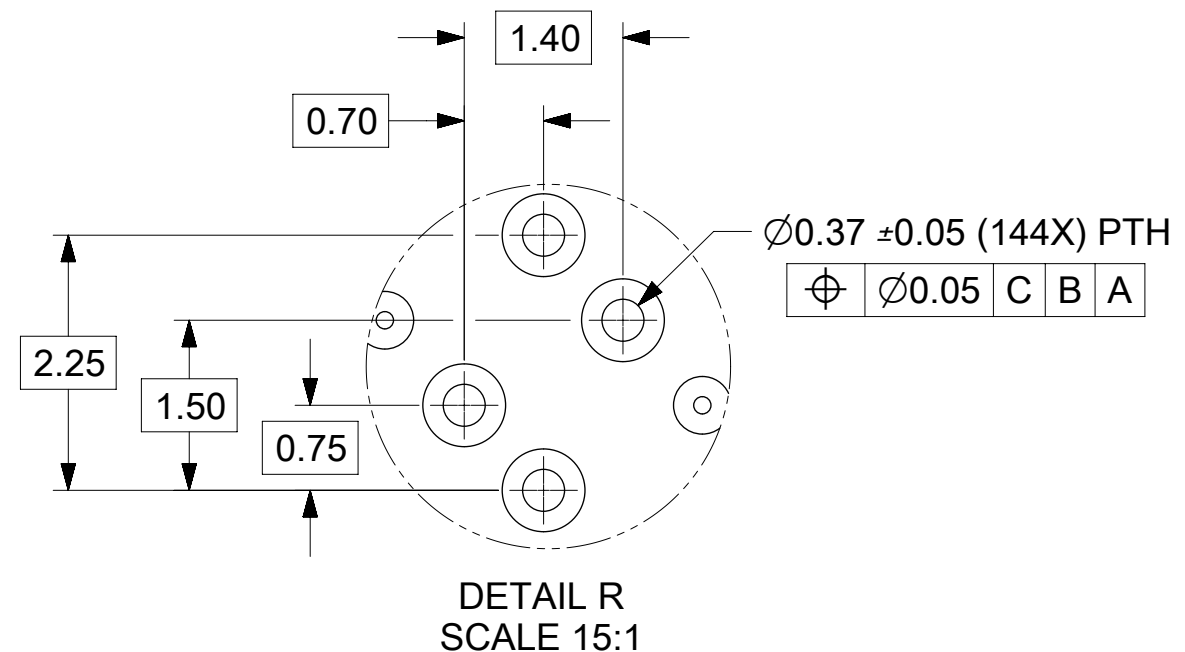
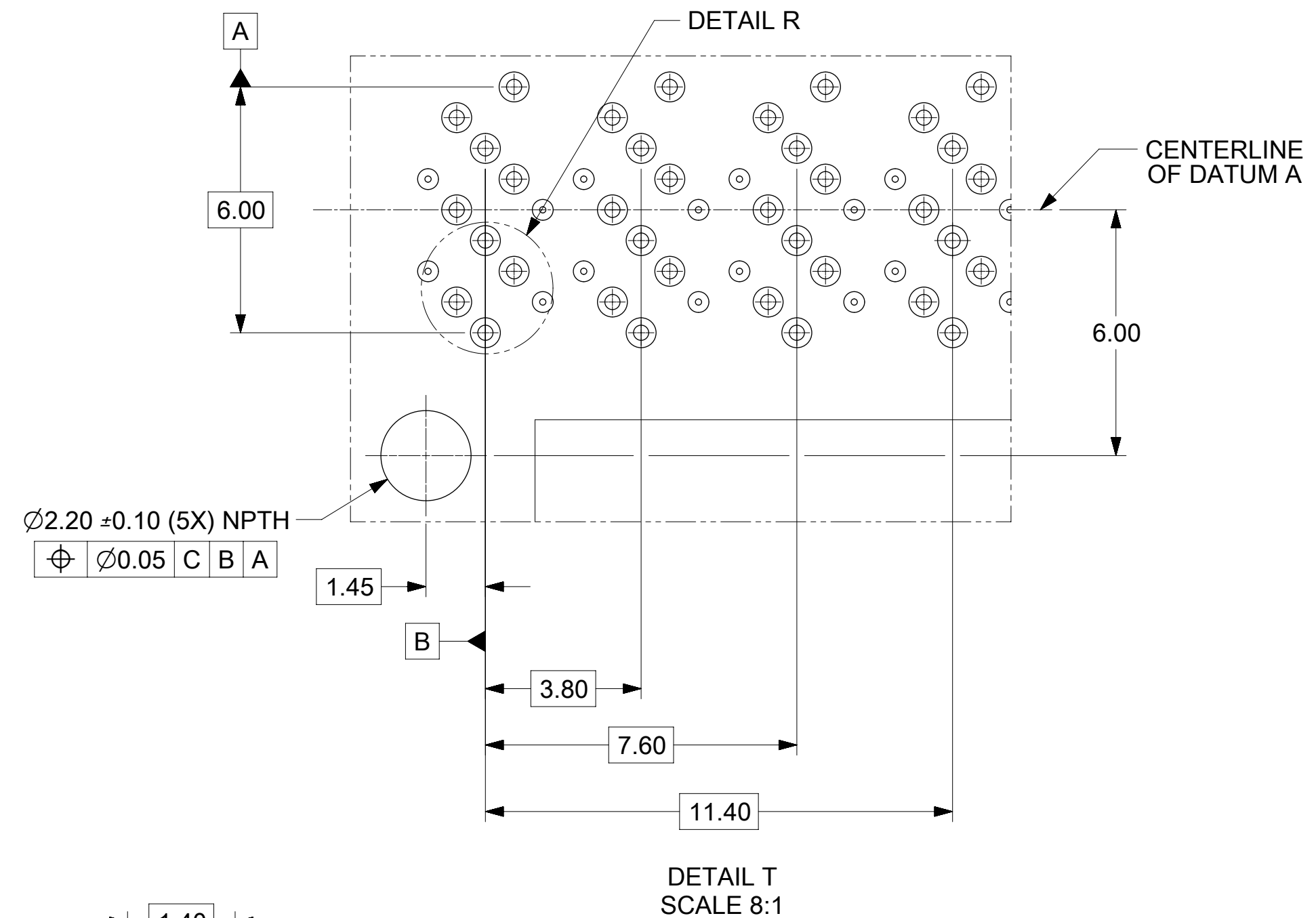
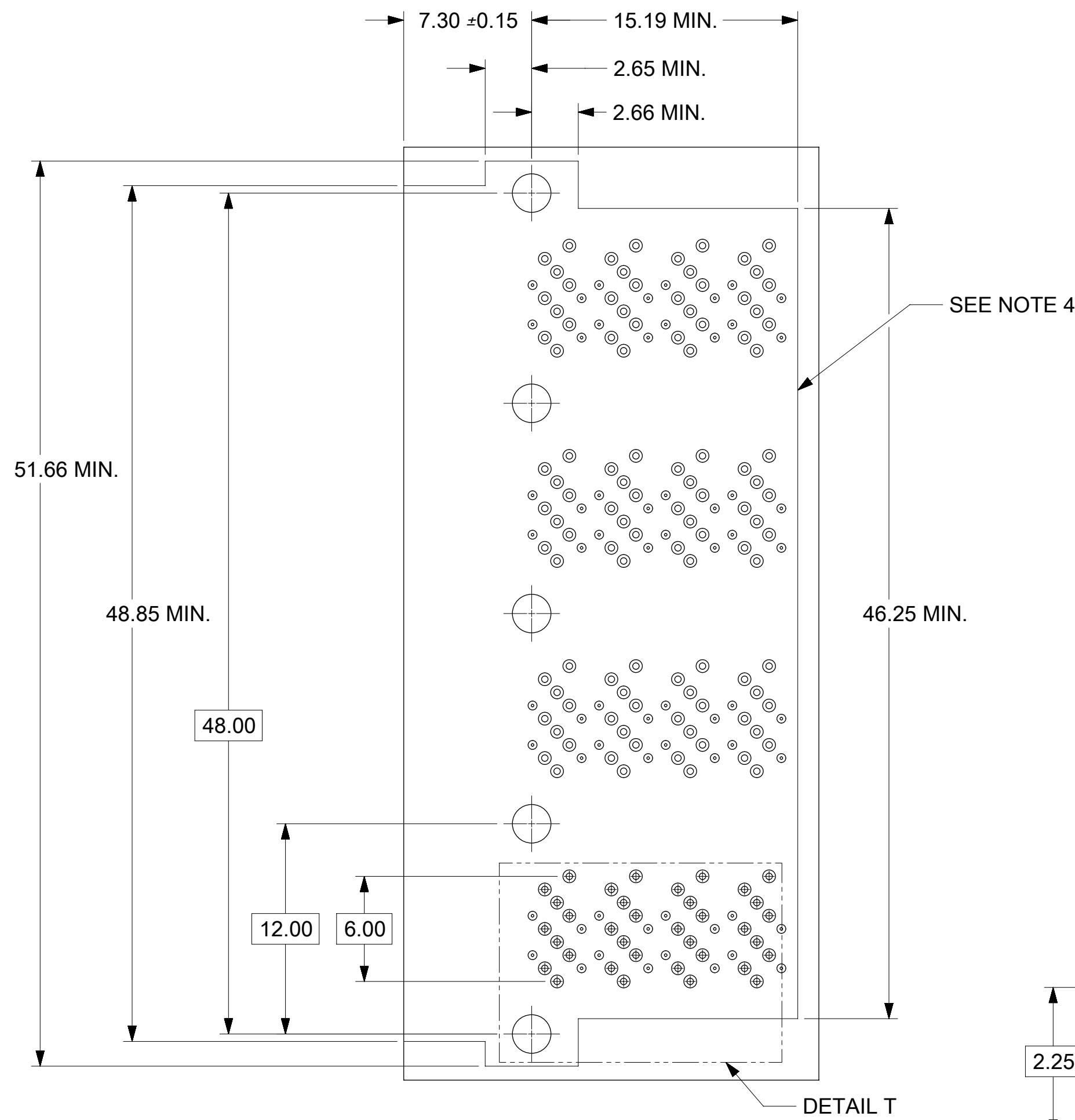
# 1 X 2 RECOMMENDED FOOTPRINT



- NOTES:
1. RECOMMENDED DRILL AND ANNULAR RING SIZE FOR A  $0.37\phi$  FINISHED PTH - REFER TO APPLICATION SPECIFICATION AS-76867-001
  2. MINIMUM RECOMMENDED SPACING: 28.00mm
  3. MINIMUM PCB THICKNESS: 1.57mm
  4. CONNECTOR KEEP OUT AREA

THIS DRAWING CONTAINS INFORMATION THAT IS PROPRIETARY TO MOLEX ELECTRONIC TECHNOLOGIES, LLC AND SHOULD NOT BE USED WITHOUT WRITTEN PERMISSION																																																																																																													
DIMENSION UNITS		SCALE		CURRENT REV DESC: MIGRATED TO NX																																																																																																									
mm		4:1		<table border="0"> <tr> <td colspan="2">GENERAL TOLERANCES (UNLESS SPECIFIED)</td> <td colspan="2">EC NO: 173887</td> <td colspan="2" rowspan="5"> <table border="0"> <tr> <td colspan="2" rowspan="5"> </td> <td colspan="2" rowspan="5">IPASS PLUS HD 12G INTERNAL</td> </tr> <tr> <td colspan="2">PRODUCT CUSTOMER DRAWING</td> </tr> <tr> <td colspan="2">DOCUMENT NUMBER</td> <td>DOC TYPE</td> <td>DOC PART</td> <td>REVISION</td> </tr> <tr> <td colspan="2">SD-76867-1000</td> <td>PSD</td> <td>001</td> <td>B2</td> </tr> <tr> <td colspan="2">MATERIAL NUMBER</td> <td colspan="2">CUSTOMER</td> <td>SHEET NUMBER</td> </tr> <tr> <td colspan="2">SEE CHART</td> <td colspan="2">GENERAL MARKET</td> <td>6 OF 10</td> </tr> </table> </td> </tr> <tr> <td>4 PLACES</td> <td>±</td> <td></td> <td>±</td> <td colspan="2">DRWN: ABABU01</td> <td colspan="2">2018/03/08</td> </tr> <tr> <td>3 PLACES</td> <td>±</td> <td></td> <td>±</td> <td colspan="2">CHK'D: TMCLELLAND</td> <td colspan="2">2018/03/21</td> </tr> <tr> <td>2 PLACES</td> <td>±</td> <td>0.13</td> <td>±</td> <td colspan="2">APPR: TMCLELLAND</td> <td colspan="2">2018/03/21</td> </tr> <tr> <td>1 PLACE</td> <td>±</td> <td>0.25</td> <td>±</td> <td colspan="2">INITIAL REVISION:</td> <td colspan="2"></td> </tr> <tr> <td>0 PLACES</td> <td>±</td> <td></td> <td>±</td> <td colspan="2">DRWN: KLANG</td> <td colspan="2">2011/10/10</td> </tr> <tr> <td colspan="2">ANGULAR TOL</td> <td colspan="2">± 0.5 °</td> <td colspan="2">APPR: TMCLELL</td> <td colspan="2">2012/08/29</td> </tr> <tr> <td colspan="4">DRAFT WHERE APPLICABLE MUST REMAIN WITHIN DIMENSIONS</td> <td colspan="2">THIRD ANGLE PROJECTION</td> <td colspan="2">DRAWING</td> <td colspan="2">SERIES</td> </tr> <tr> <td colspan="4"></td> <td colspan="2"> </td> <td colspan="2">C-SIZE</td> <td colspan="2">76867</td> </tr> </table>						GENERAL TOLERANCES (UNLESS SPECIFIED)		EC NO: 173887		<table border="0"> <tr> <td colspan="2" rowspan="5"> </td> <td colspan="2" rowspan="5">IPASS PLUS HD 12G INTERNAL</td> </tr> <tr> <td colspan="2">PRODUCT CUSTOMER DRAWING</td> </tr> <tr> <td colspan="2">DOCUMENT NUMBER</td> <td>DOC TYPE</td> <td>DOC PART</td> <td>REVISION</td> </tr> <tr> <td colspan="2">SD-76867-1000</td> <td>PSD</td> <td>001</td> <td>B2</td> </tr> <tr> <td colspan="2">MATERIAL NUMBER</td> <td colspan="2">CUSTOMER</td> <td>SHEET NUMBER</td> </tr> <tr> <td colspan="2">SEE CHART</td> <td colspan="2">GENERAL MARKET</td> <td>6 OF 10</td> </tr> </table>				IPASS PLUS HD 12G INTERNAL		PRODUCT CUSTOMER DRAWING		DOCUMENT NUMBER		DOC TYPE	DOC PART	REVISION	SD-76867-1000		PSD	001	B2	MATERIAL NUMBER		CUSTOMER		SHEET NUMBER	SEE CHART		GENERAL MARKET		6 OF 10	4 PLACES	±		±	DRWN: ABABU01		2018/03/08		3 PLACES	±		±	CHK'D: TMCLELLAND		2018/03/21		2 PLACES	±	0.13	±	APPR: TMCLELLAND		2018/03/21		1 PLACE	±	0.25	±	INITIAL REVISION:				0 PLACES	±		±	DRWN: KLANG		2011/10/10		ANGULAR TOL		± 0.5 °		APPR: TMCLELL		2012/08/29		DRAFT WHERE APPLICABLE MUST REMAIN WITHIN DIMENSIONS				THIRD ANGLE PROJECTION		DRAWING		SERIES								C-SIZE		76867	
GENERAL TOLERANCES (UNLESS SPECIFIED)		EC NO: 173887								<table border="0"> <tr> <td colspan="2" rowspan="5"> </td> <td colspan="2" rowspan="5">IPASS PLUS HD 12G INTERNAL</td> </tr> <tr> <td colspan="2">PRODUCT CUSTOMER DRAWING</td> </tr> <tr> <td colspan="2">DOCUMENT NUMBER</td> <td>DOC TYPE</td> <td>DOC PART</td> <td>REVISION</td> </tr> <tr> <td colspan="2">SD-76867-1000</td> <td>PSD</td> <td>001</td> <td>B2</td> </tr> <tr> <td colspan="2">MATERIAL NUMBER</td> <td colspan="2">CUSTOMER</td> <td>SHEET NUMBER</td> </tr> <tr> <td colspan="2">SEE CHART</td> <td colspan="2">GENERAL MARKET</td> <td>6 OF 10</td> </tr> </table>										IPASS PLUS HD 12G INTERNAL		PRODUCT CUSTOMER DRAWING		DOCUMENT NUMBER		DOC TYPE	DOC PART	REVISION	SD-76867-1000		PSD	001	B2	MATERIAL NUMBER		CUSTOMER		SHEET NUMBER	SEE CHART		GENERAL MARKET		6 OF 10																																																																		
		IPASS PLUS HD 12G INTERNAL																																																																																																											
																						PRODUCT CUSTOMER DRAWING																																																																																							
																						DOCUMENT NUMBER		DOC TYPE	DOC PART	REVISION																																																																																			
				SD-76867-1000		PSD	001	B2																																																																																																					
				MATERIAL NUMBER		CUSTOMER		SHEET NUMBER																																																																																																					
SEE CHART		GENERAL MARKET		6 OF 10																																																																																																									
4 PLACES	±		±	DRWN: ABABU01		2018/03/08																																																																																																							
3 PLACES	±		±	CHK'D: TMCLELLAND		2018/03/21																																																																																																							
2 PLACES	±	0.13	±	APPR: TMCLELLAND		2018/03/21																																																																																																							
1 PLACE	±	0.25	±	INITIAL REVISION:																																																																																																									
0 PLACES	±		±	DRWN: KLANG		2011/10/10																																																																																																							
ANGULAR TOL		± 0.5 °		APPR: TMCLELL		2012/08/29																																																																																																							
DRAFT WHERE APPLICABLE MUST REMAIN WITHIN DIMENSIONS				THIRD ANGLE PROJECTION		DRAWING		SERIES																																																																																																					
						C-SIZE		76867																																																																																																					

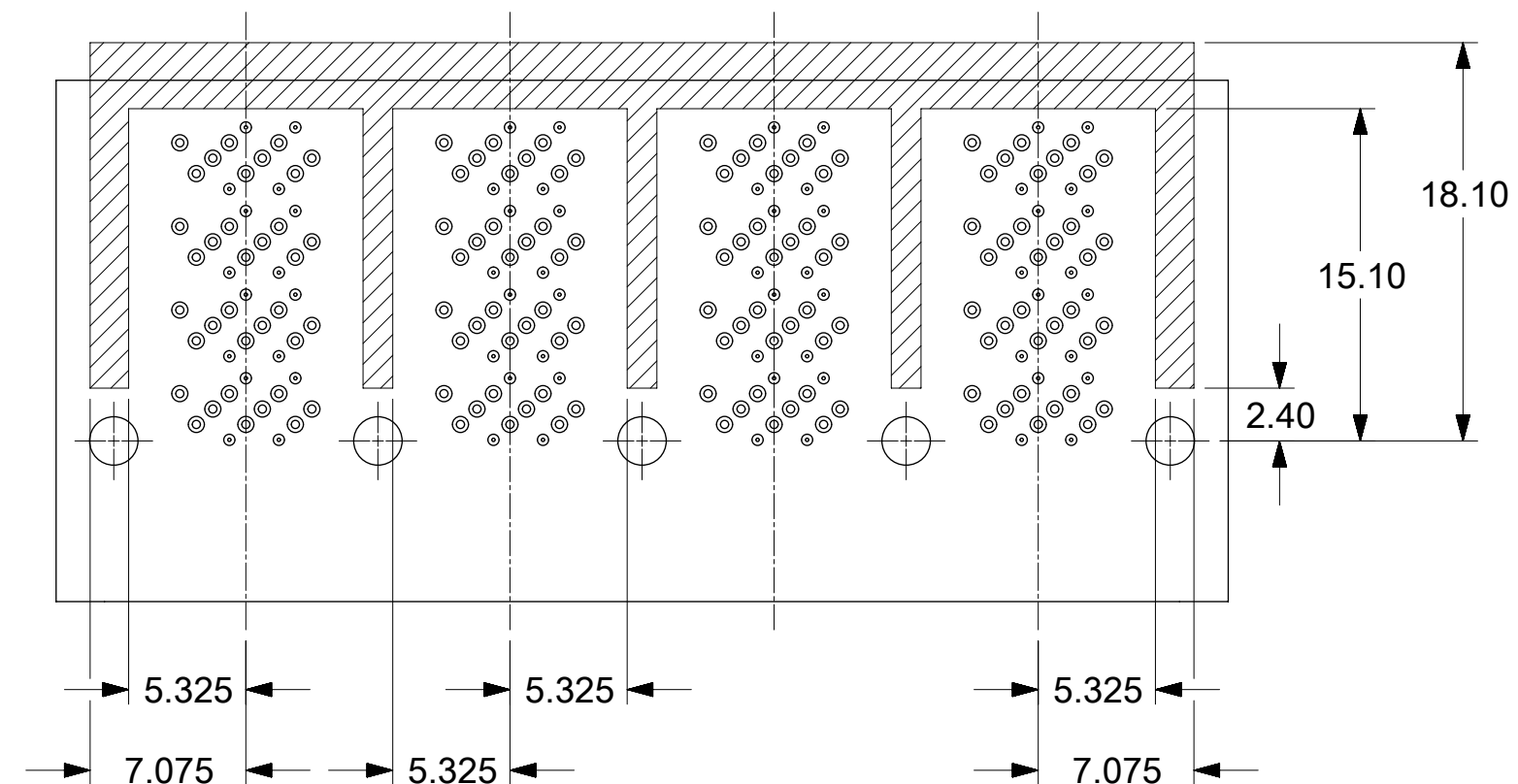
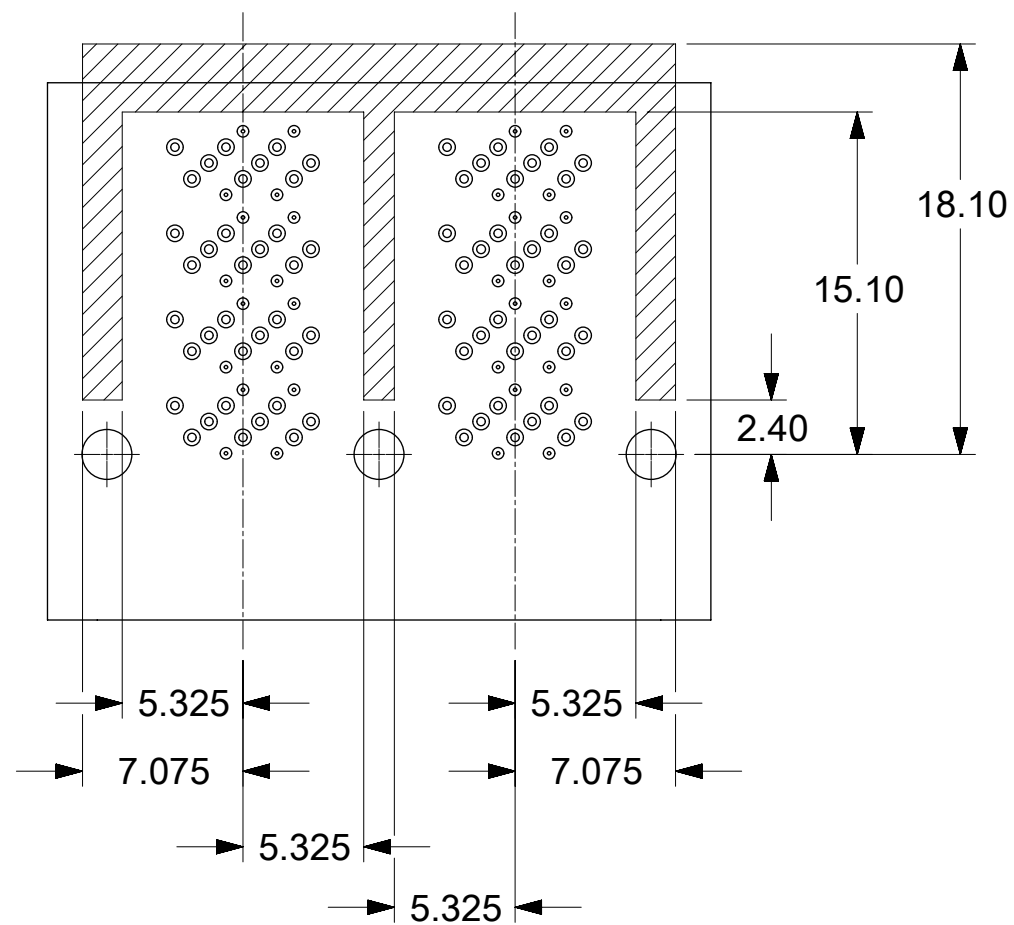
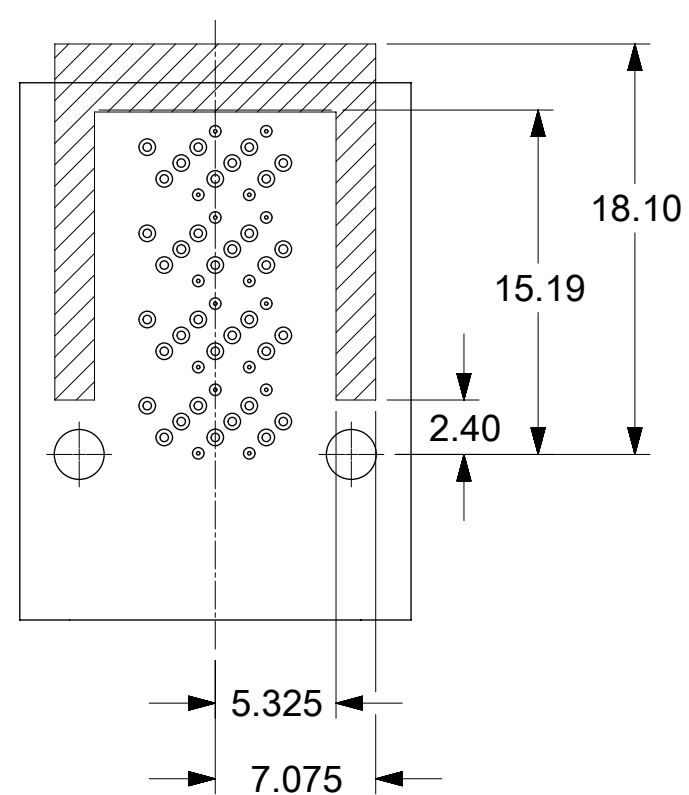
# 1 X 4 RECOMMENDED FOOTPRINT



- NOTES:
1. RECOMMENDED DRILL AND ANNULAR RING SIZE FOR A 0.37 $\phi$  FINISHED PTH - REFER TO APPLICATION SPECIFICATION AS-76867-001
  2. MINIMUM RECOMMENDED SPACING: 52.00mm
  3. MINIMUM PCB THICKNESS: 1.57mm
  4. CONNECTOR KEEP OUT AREA

THIS DRAWING CONTAINS INFORMATION THAT IS PROPRIETARY TO MOLEX ELECTRONIC TECHNOLOGIES, LLC AND SHOULD NOT BE USED WITHOUT WRITTEN PERMISSION									
DIMENSION UNITS		SCALE		CURRENT REV DESC: MIGRATED TO NX					
mm		4:1		EC NO: 173887 DRWN: ABABU01 2018/03/08 CHK'D: TMCLELLAND 2018/03/21 APPR: TMCLELLAND 2018/03/21 INITIAL REVISION: DRWN: KLANG 2011/10/10 APPR: TMCLELL 2012/08/29					
GENERAL TOLERANCES (UNLESS SPECIFIED)									
	MM	INCH							
4 PLACES	±		±						
3 PLACES	±		±						
2 PLACES	±	0.13	±						
1 PLACE	±	0.25	±						
0 PLACES	±		±						
ANGULAR TOL ± 0.5°				THIRD ANGLE PROJECTION		DRAWING		SERIES	
DRAFT WHERE APPLICABLE MUST REMAIN WITHIN DIMENSIONS						C-SIZE		76867	
DOCUMENT STATUS		P1		RELEASE DATE		2018/03/21 13:32:11		PRODUCT CUSTOMER DRAWING DOCUMENT NUMBER: SD-76867-1000 DOC TYPE: PSD DOC PART: 001 REVISION: B2	
MATERIAL NUMBER		CUSTOMER		SHEET NUMBER		SEE CHART GENERAL MARKET 7 OF 10			

# RECOMMENDED TOOLING KEEP OUT AREAS

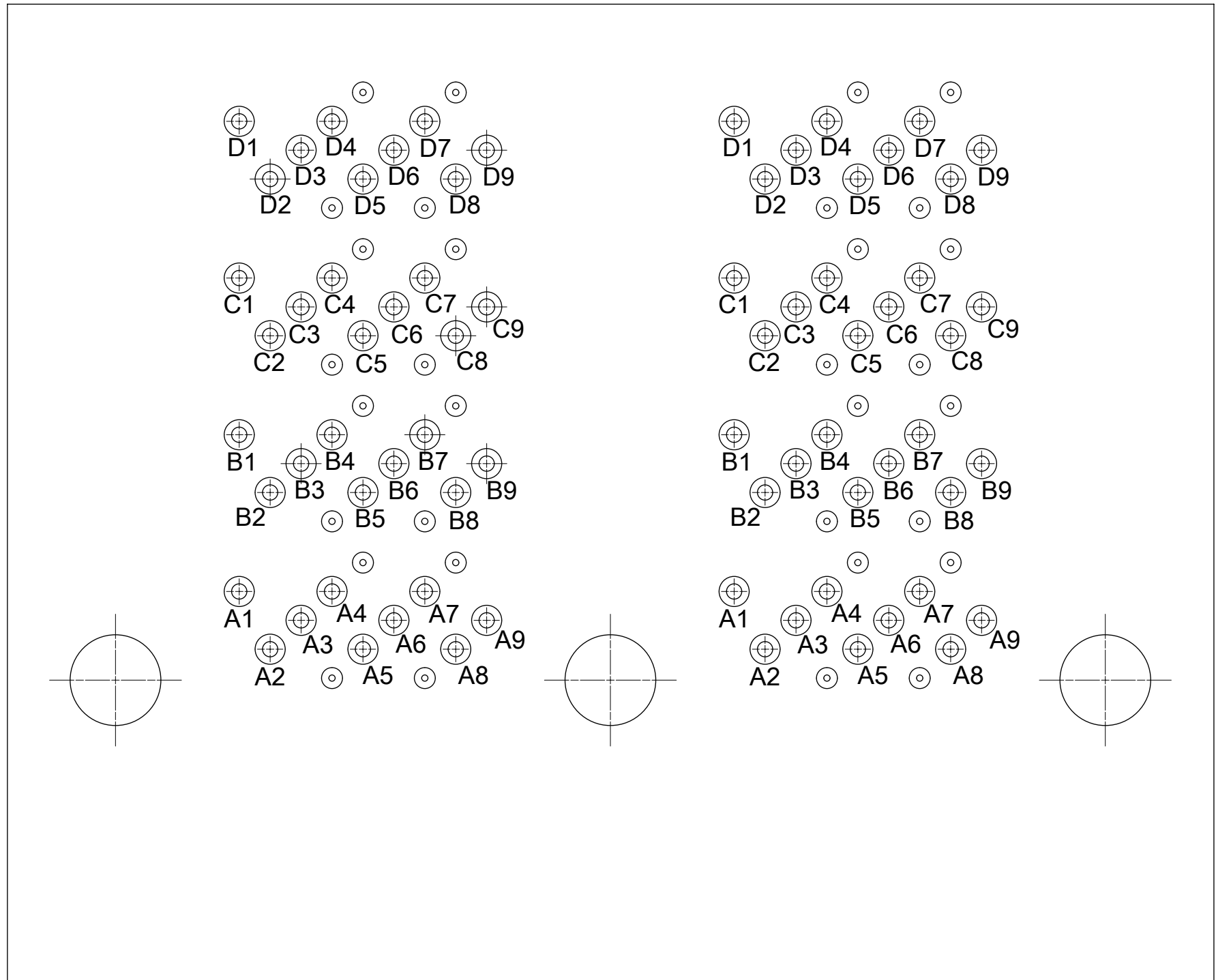
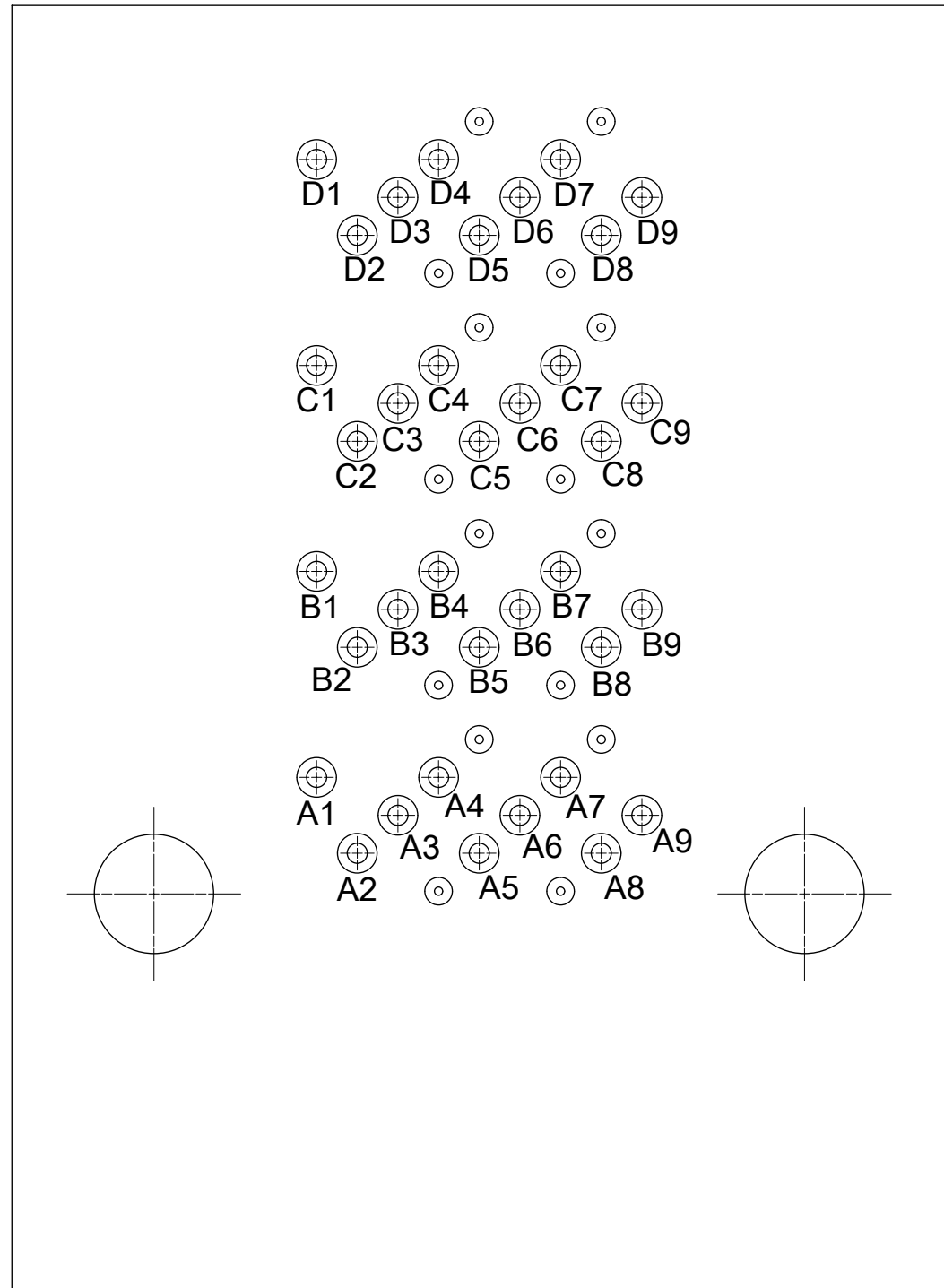


THIS DRAWING CONTAINS INFORMATION THAT IS PROPRIETARY TO MOLEX ELECTRONIC TECHNOLOGIES, LLC AND SHOULD NOT BE USED WITHOUT WRITTEN PERMISSION									
DIMENSION UNITS		SCALE		CURRENT REV DESC: MIGRATED TO NX				<b>molex</b>	
mm		3:1							
GENERAL TOLERANCES (UNLESS SPECIFIED)				EC NO: 173887		IPASS PLUS HD 12G INTERNAL		PRODUCT CUSTOMER DRAWING	
		MM	INCH	DRWN: ABABU01 2018/03/08					
4 PLACES		±	±	CHK'D: TMCLELLAND 2018/03/21					
3 PLACES		±	±	APPR: TMCLELLAND 2018/03/21		DOCUMENT NUMBER		DOC TYPE	DOC PART
2 PLACES		±	0.13	INITIAL REVISION:		SD-76867-1000		PSD	001
1 PLACE		±	0.25	DRWN: KLANG 2011/10/10		REVISION		B2	
0 PLACES		±	±	APPR: TMCLELL 2012/08/29		MATERIAL NUMBER		CUSTOMER	
ANGULAR TOL		±	0.5 °	THIRD ANGLE PROJECTION		SEE CHART		GENERAL MARKET	
DRAFT WHERE APPLICABLE MUST REMAIN WITHIN DIMENSIONS				DRAWING		SERIES		SHEET NUMBER	
				C-SIZE		76867		8 OF 10	

DOCUMENT STATUS	P1	RELEASE DATE	2018/03/21	13:32:11
-----------------	----	--------------	------------	----------



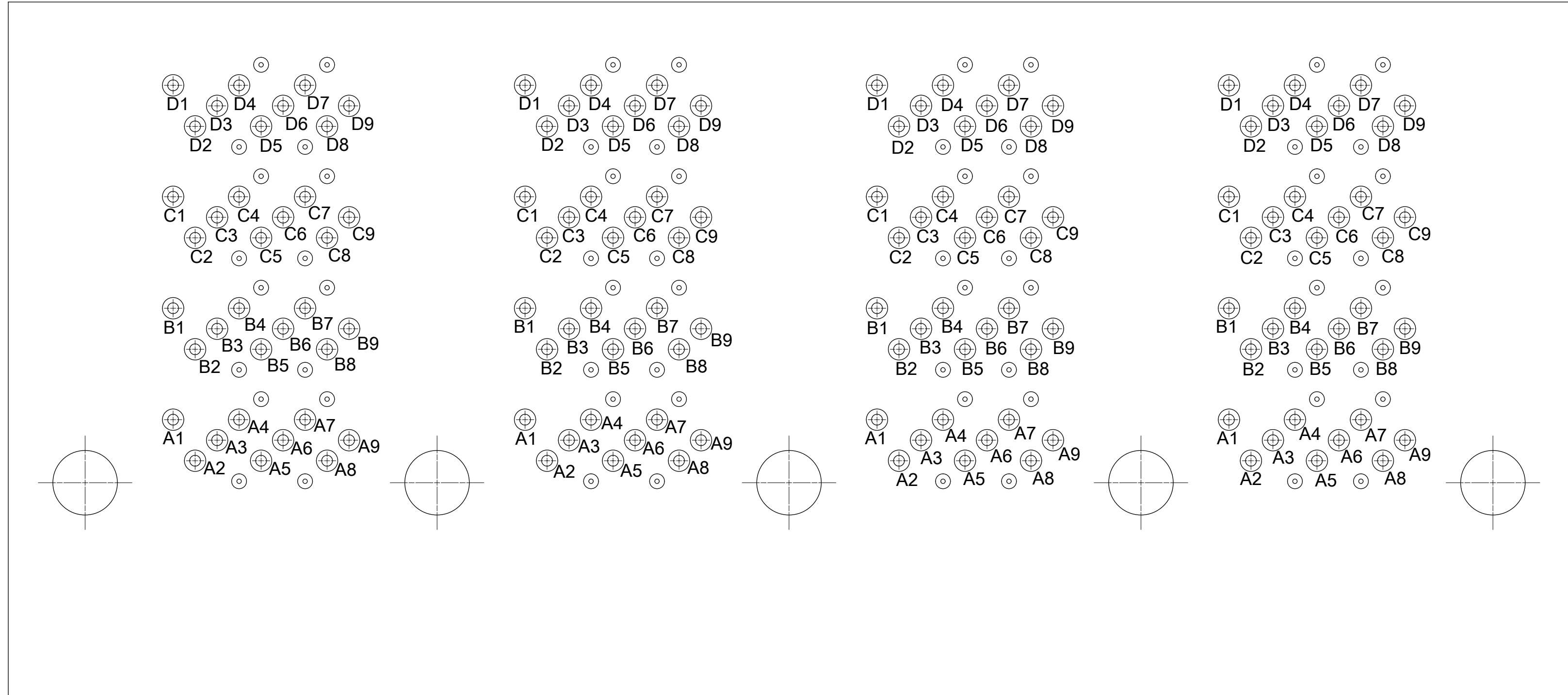
# 1 X 1 & 1 X 2 FOOTPRINT CIRCUIT IDENTIFICATION


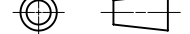


THIS DRAWING CONTAINS INFORMATION THAT IS PROPRIETARY TO MOLEX ELECTRONIC TECHNOLOGIES, LLC AND SHOULD NOT BE USED WITHOUT WRITTEN PERMISSION									
DIMENSION UNITS		SCALE		CURRENT REV DESC: MIGRATED TO NX				<b>molex</b>	
mm		8:1							
GENERAL TOLERANCES (UNLESS SPECIFIED)				EC NO: 173887				IPASS PLUS HD 12G INTERNAL	
		MM	INCH	DRWN: ABABU01		2018/03/08			
4 PLACES		±	±	CHK'D: TMCLELLAND		2018/03/21			
3 PLACES		±	±	APPR: TMCLELLAND		2018/03/21		PRODUCT CUSTOMER DRAWING	
2 PLACES		± 0.13	±	INITIAL REVISION:				DOCUMENT NUMBER	
1 PLACE		± 0.25	±	DRWN: KLANG				SD-76867-1000	
0 PLACES		±	±	APPR: TMCLELL				PSD 001 B2	
ANGULAR TOL		± 0.5 °		THIRD ANGLE PROJECTION		DRAWING		SHEET NUMBER	
DRAFT WHERE APPLICABLE MUST REMAIN WITHIN DIMENSIONS				C-SIZE		76867		9 OF 10	

DOCUMENT STATUS	P1	RELEASE DATE	2018/03/21	13:32:11
-----------------	----	--------------	------------	----------

# 1 X 4 FOOTPRINT CIRCUIT IDENTIFICATION



THIS DRAWING CONTAINS INFORMATION THAT IS PROPRIETARY TO MOLEX ELECTRONIC TECHNOLOGIES, LLC AND SHOULD NOT BE USED WITHOUT WRITTEN PERMISSION									
DIMENSION UNITS		SCALE		CURRENT REV DESC: MIGRATED TO NX					
mm		8:1		 IPASS PLUS HD 12G INTERNAL					
GENERAL TOLERANCES (UNLESS SPECIFIED)									
		MM	INCH	EC NO: 173887 DRWN: ABABU01 2018/03/08 CHK'D: TMCLELLAND 2018/03/21 APPR: TMCLELLAND 2018/03/21					
4 PLACES		±	±	PRODUCT CUSTOMER DRAWING DOCUMENT NUMBER: SD-76867-1000 DOC TYPE: PSD DOC PART: 001 REVISION: B2					
3 PLACES		±	±						
2 PLACES		± 0.13	±	INITIAL REVISION: DRWN: KLANG 2011/10/10 APPR: TMCLELL 2012/08/29					
1 PLACE		± 0.25	±						
0 PLACES		±	±	MATERIAL NUMBER: SEE CHART CUSTOMER: GENERAL MARKET SHEET NUMBER: 10 OF 10					
ANGULAR TOL		± 0.5 °							
DRAFT WHERE APPLICABLE MUST REMAIN WITHIN DIMENSIONS				THIRD ANGLE PROJECTION		DRAWING		SERIES	
						C-SIZE		76867	

DOCUMENT STATUS	P1	RELEASE DATE	2018/03/21 13:32:11
-----------------	----	--------------	---------------------