

MATERIALS AND FINISHES:

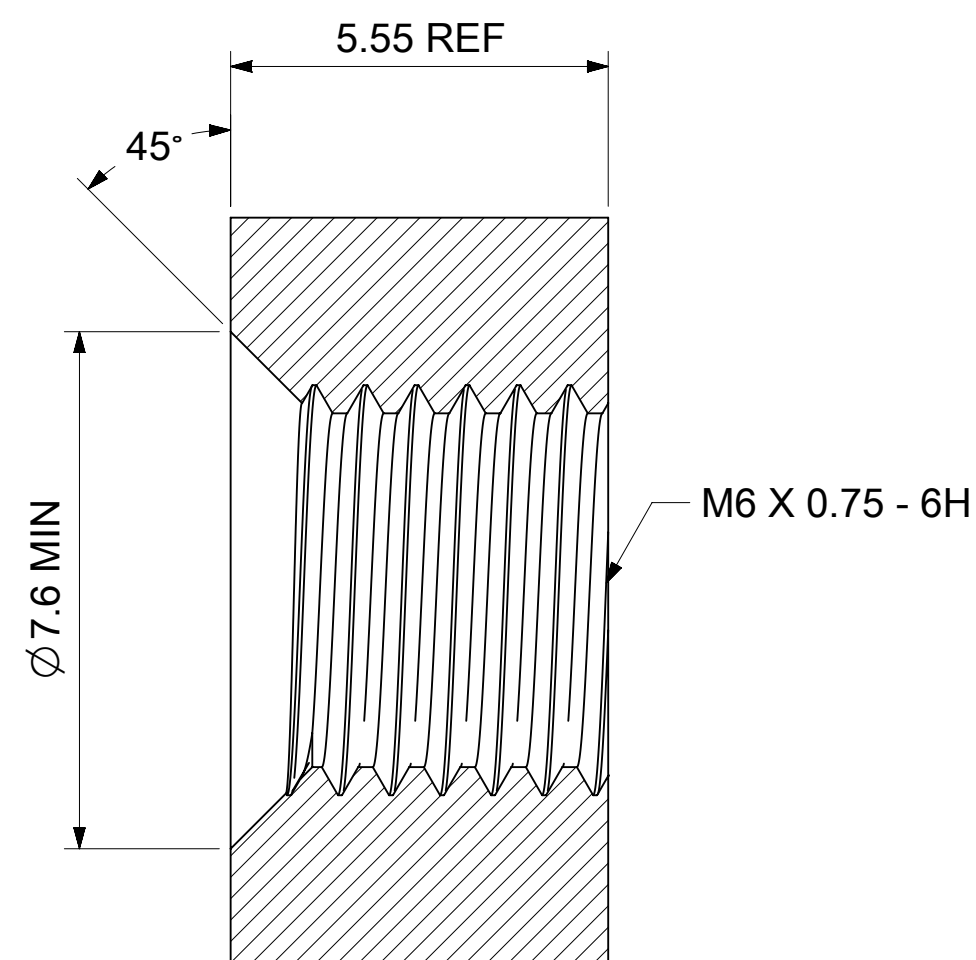
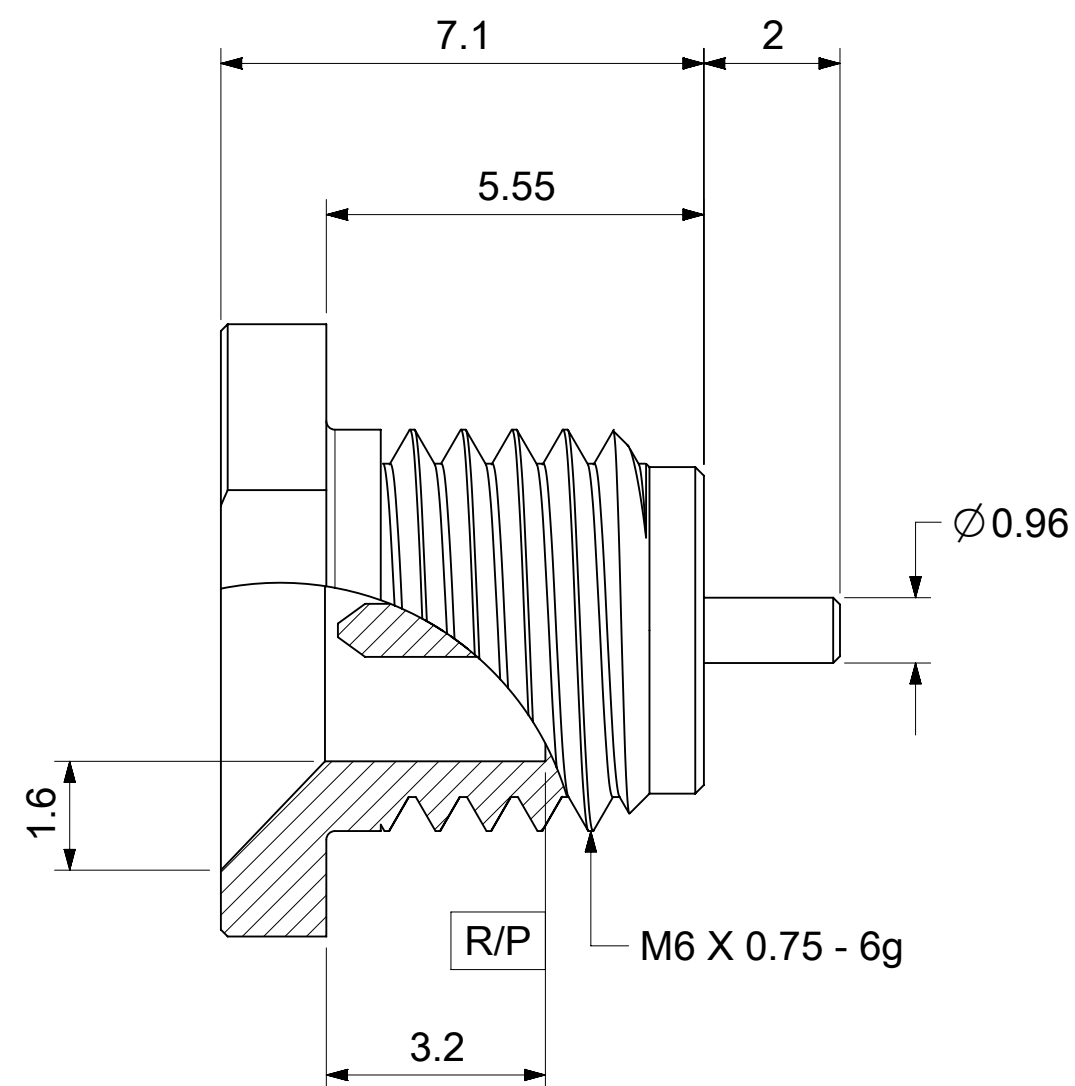
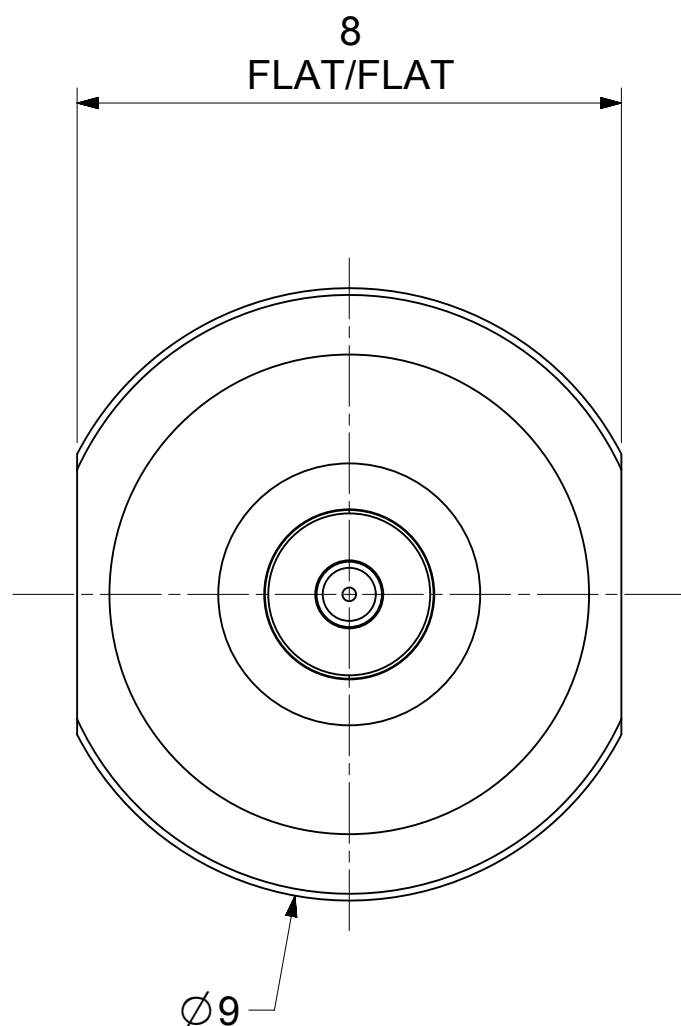
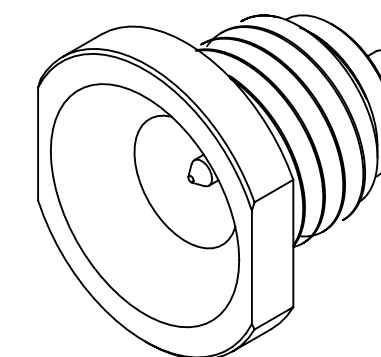
BODY: BRASS
 OPTION 1:
 PLATED GOLD (8μ-in MIN)
 OVER NICKEL PHOSPHOR (80μ-in MIN)
 OVER COPPER (20μ-in MIN)
 OPTION 2:
 PLATED GOLD (1μ-in MIN)
 OVER NICKEL PHOSPHOR (80μ-in MIN)
 OVER COPPER (20μ-in MIN)

INSULATOR: PTFE

CONTACT: BRASS
 PLATED GOLD (8μ-in MIN)
 OVER NICKEL PHOSPHOR (80μ-in MIN)
 OVER COPPER (20μ-in MIN)

ELECTRICAL CHARACTERISTICS:

NOMINAL IMPEDANCE: 50Ω
 FREQUENCY RANGE: DC-10 GHz
 VSWR: *1.25 MAX UP TO 3GHz, *1.35 MAX 3-6GHz
 INSERTION LOSS: *0.15√F (GHz) dB MAX
 *COAXIAL TRANSMISSION LINE ONLY
 VOLTAGE RATING: 330 Vrms AT SEA LEVEL
 DIELECTRIC WITHSTANDING VOLTAGE: 1000 Vrms
 INSULATION RESISTANCE: 5000 MΩ



PANEL CUTOUT

73420-0322	OPTION 2	TRAY
73420-0321	OPTION 1	TRAY
73420-0320		SINGLE PC
PART NO.	BODY	PACKAGING

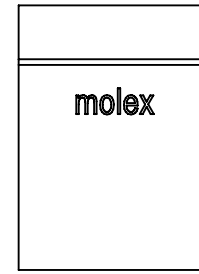
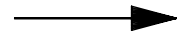
PS-89675-3760	ELEC/MECH PERFORMANCE
SPECIFICATION	DESCRIPTION

THIS DRAWING CONTAINS INFORMATION THAT IS PROPRIETARY TO MOLEX ELECTRONIC TECHNOLOGIES, LLC AND SHOULD NOT BE USED WITHOUT WRITTEN PERMISSION									
DIMENSION UNITS		SCALE		CURRENT REV DESC: ADD 73420-0322 PER EWR #15334-A				molex	
mm		NTS							
GENERAL TOLERANCES (UNLESS SPECIFIED)				SMP-MAX PLUG STR SLIDE TYPE PANEL MT M6X0.75 EWR-4411					
ANGULAR TOL ± 2.0°				PRODUCT CUSTOMER DRAWING					
4 PLACES ±				EC NO: 724896		2022/07/20		DOCUMENT NUMBER	
3 PLACES ±				DRWN: RYEH		2022/10/18		SD-73420-032	
2 PLACES ± 0.13				CHK'D: YCHENG		2022/10/18		PSD 001 B2	
1 PLACE ± 0.25				APPR: YCHENG		2022/10/18		DOC TYPE DOC PART REVISION	
0 PLACES ± 0.38				INITIAL REVISION:		2010/06/08		MATERIAL NUMBER	
				DRWN: AROBERTSON		2010/06/10		CUSTOMER	
				APPR: JWIENER		2010/06/10		GENERAL MARKET	
DRAFT WHERE APPLICABLE MUST REMAIN WITHIN DIMENSIONS		THIRD ANGLE PROJECTION		DRAWING		SERIES		SHEET NUMBER	
				C-SIZE		73420		SEE TABLE	
								1 OF 3	

DOCUMENT STATUS	P1	RELEASE DATE	2022/10/18	09:52:48
-----------------	----	--------------	------------	----------



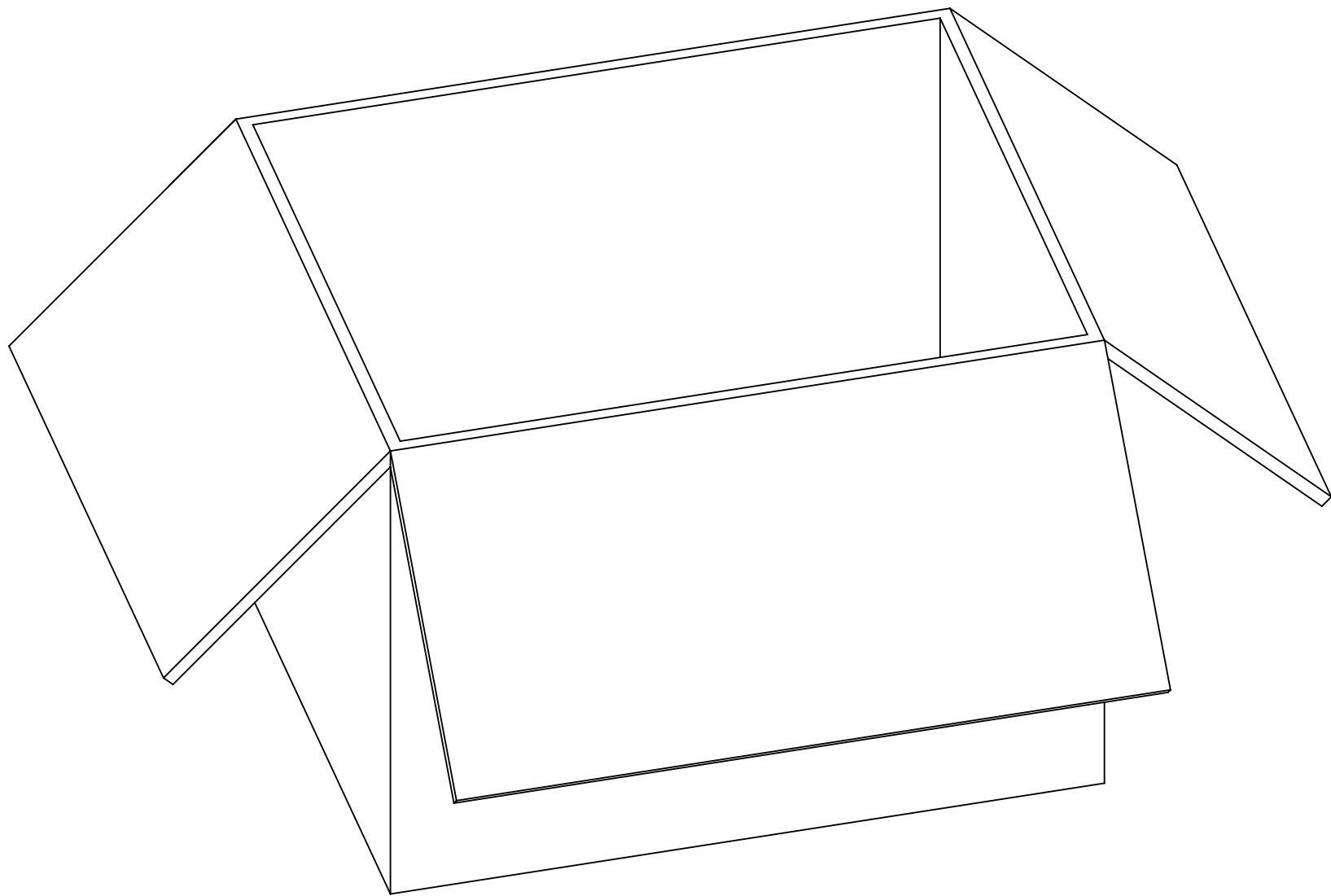
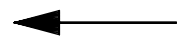
P/N: 73420-0320



ONE SET PER BAG



50 SETS PER BAG



500 SETS PER CARTON BOX

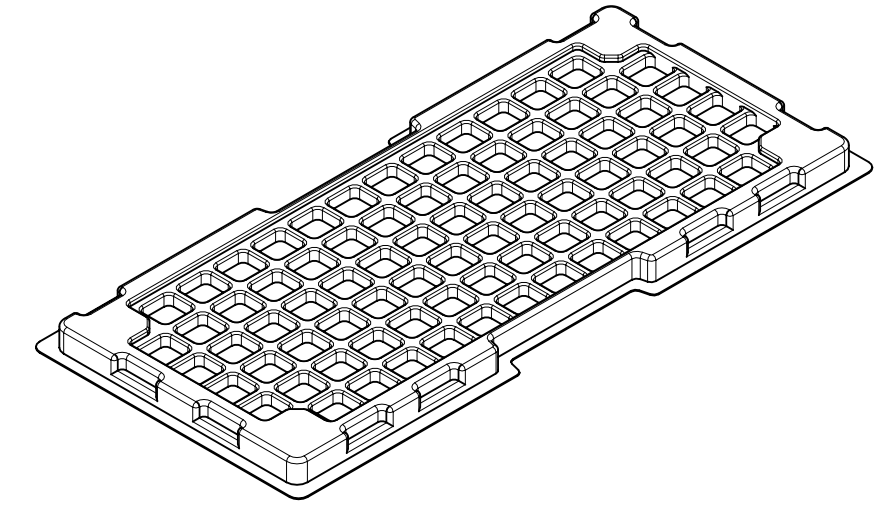
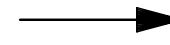
THIS DRAWING CONTAINS INFORMATION THAT IS PROPRIETARY TO MOLEX ELECTRONIC TECHNOLOGIES, LLC AND SHOULD NOT BE USED WITHOUT WRITTEN PERMISSION

DIMENSION UNITS		SCALE		CURRENT REV DESC: ADD 73420-0322 PER EWR #15334-A				molex							
mm		NTS													
GENERAL TOLERANCES (UNLESS SPECIFIED)								SMP-MAX PLUG STR SLIDE TYPE PANEL MT M6X0.75 EWR-4411							
ANGULAR TOL ± 2.0°				EC NO: 724896				PRODUCT CUSTOMER DRAWING							
4 PLACES ±				DRWN: RYEH 2022/07/20											
3 PLACES ±				CHK'D: YCHENG 2022/10/18											
2 PLACES ± 0.13				APPR: YCHENG 2022/10/18											
1 PLACE ± 0.25				INITIAL REVISION:				DOCUMENT NUMBER							
0 PLACES ± 0.38				DRWN: AROBERTSON 2010/06/08				SD-73420-032							
				APPR: JWIENER 2010/06/10				PSD 001 B2							
DRAFT WHERE APPLICABLE MUST REMAIN WITHIN DIMENSIONS				THIRD ANGLE PROJECTION		DRAWING		SERIES		MATERIAL NUMBER		CUSTOMER		SHEET NUMBER	
						C-SIZE		73420		SEE TABLE		GENERAL MARKET		2 OF 3	

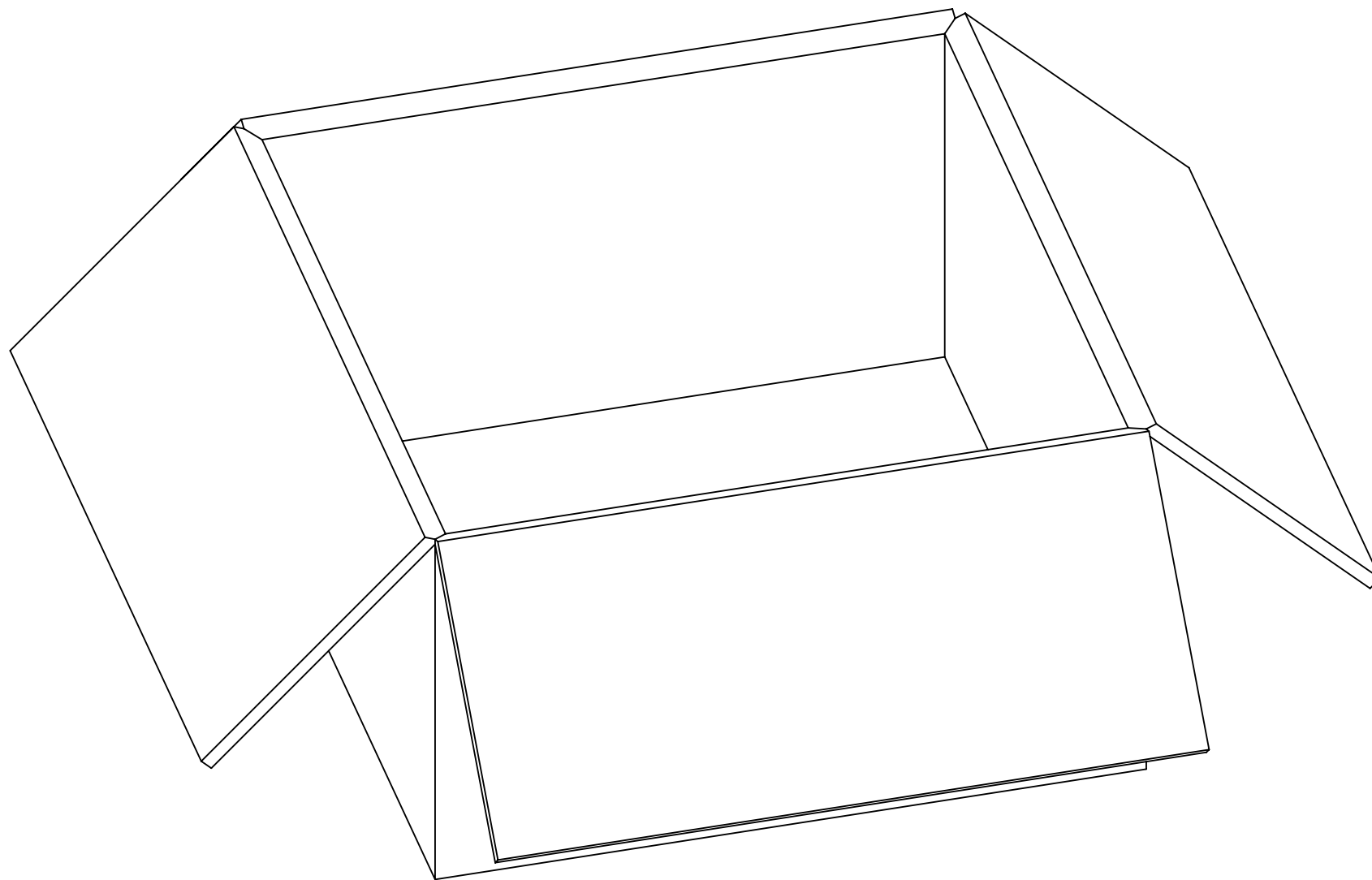
DOCUMENT STATUS	P1	RELEASE DATE	2022/10/18	09:52:48
-----------------	----	--------------	------------	----------



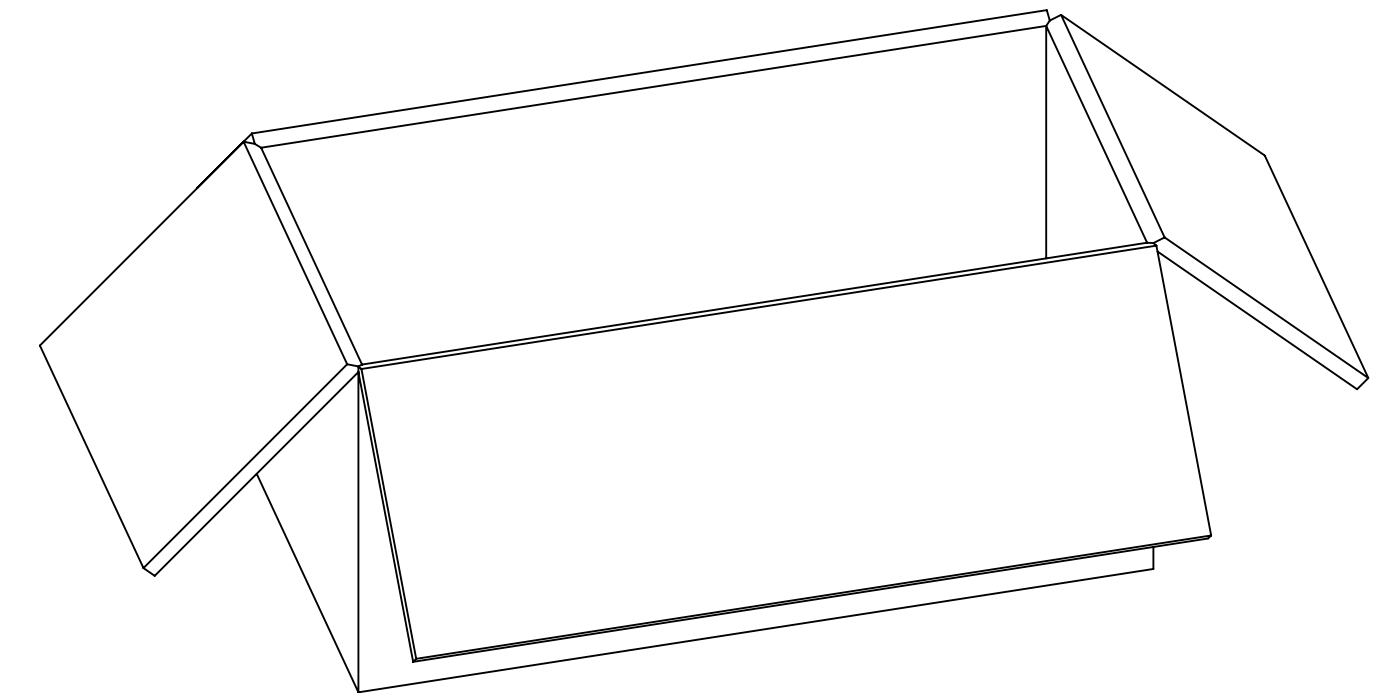
P/N: 73420-0321
OR 73420-0322



80 SETS PER TRAY



3200 SETS PER OUTER CARTON BOX



1600 SETS PER INNER CARTON BOX

THIS DRAWING CONTAINS INFORMATION THAT IS PROPRIETARY TO MOLEX ELECTRONIC TECHNOLOGIES, LLC AND SHOULD NOT BE USED WITHOUT WRITTEN PERMISSION									
DIMENSION UNITS		SCALE		CURRENT REV DESC: ADD 73420-0322 PER EWR #15334-A				molex	
mm		NTS							
GENERAL TOLERANCES (UNLESS SPECIFIED)								SMP-MAX PLUG STR SLIDE TYPE PANEL MT M6X0.75 EWR-4411	
ANGULAR TOL		± 2.0°		EC NO: 724896				PRODUCT CUSTOMER DRAWING	
4 PLACES		±		DRWN: RYEH		2022/07/20			
3 PLACES		±		CHK'D: YCHENG		2022/10/18			
2 PLACES		± 0.13		APPR: YCHENG		2022/10/18			
1 PLACE		± 0.25		INITIAL REVISION:					
0 PLACES		± 0.38		DRWN: AROBERTSON		2010/06/08		DOCUMENT NUMBER	
				APPR: JWIENER		2010/06/10		SD-73420-032	
DRAFT WHERE APPLICABLE MUST REMAIN WITHIN DIMENSIONS		THIRD ANGLE PROJECTION		DRAWING		SERIES		MATERIAL NUMBER	
				C-SIZE		73420		CUSTOMER	
								GENERAL MARKET	
								DOC TYPE	
								PSD	
								DOC PART	
								001	
								REVISION	
								B2	
								SHEET NUMBER	
								3 OF 3	

DOCUMENT STATUS	P1	RELEASE DATE	2022/10/18	09:52:48
-----------------	----	--------------	------------	----------