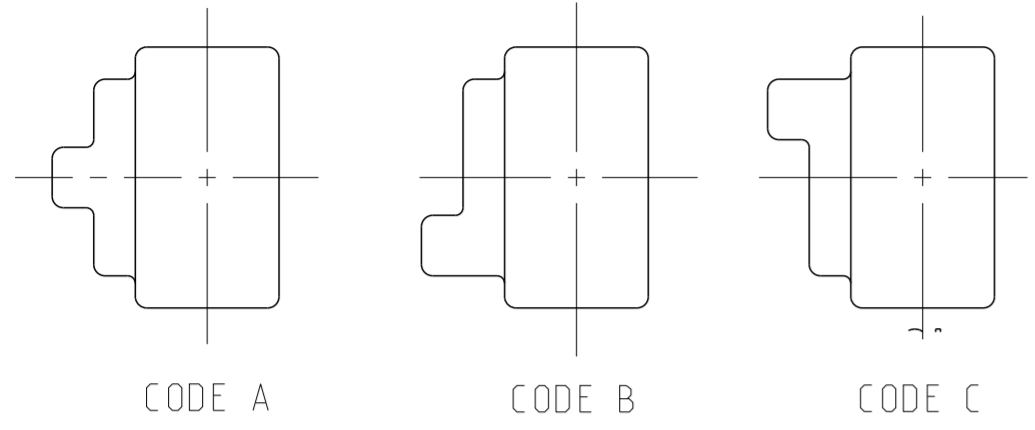


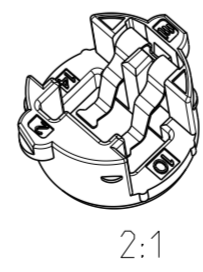
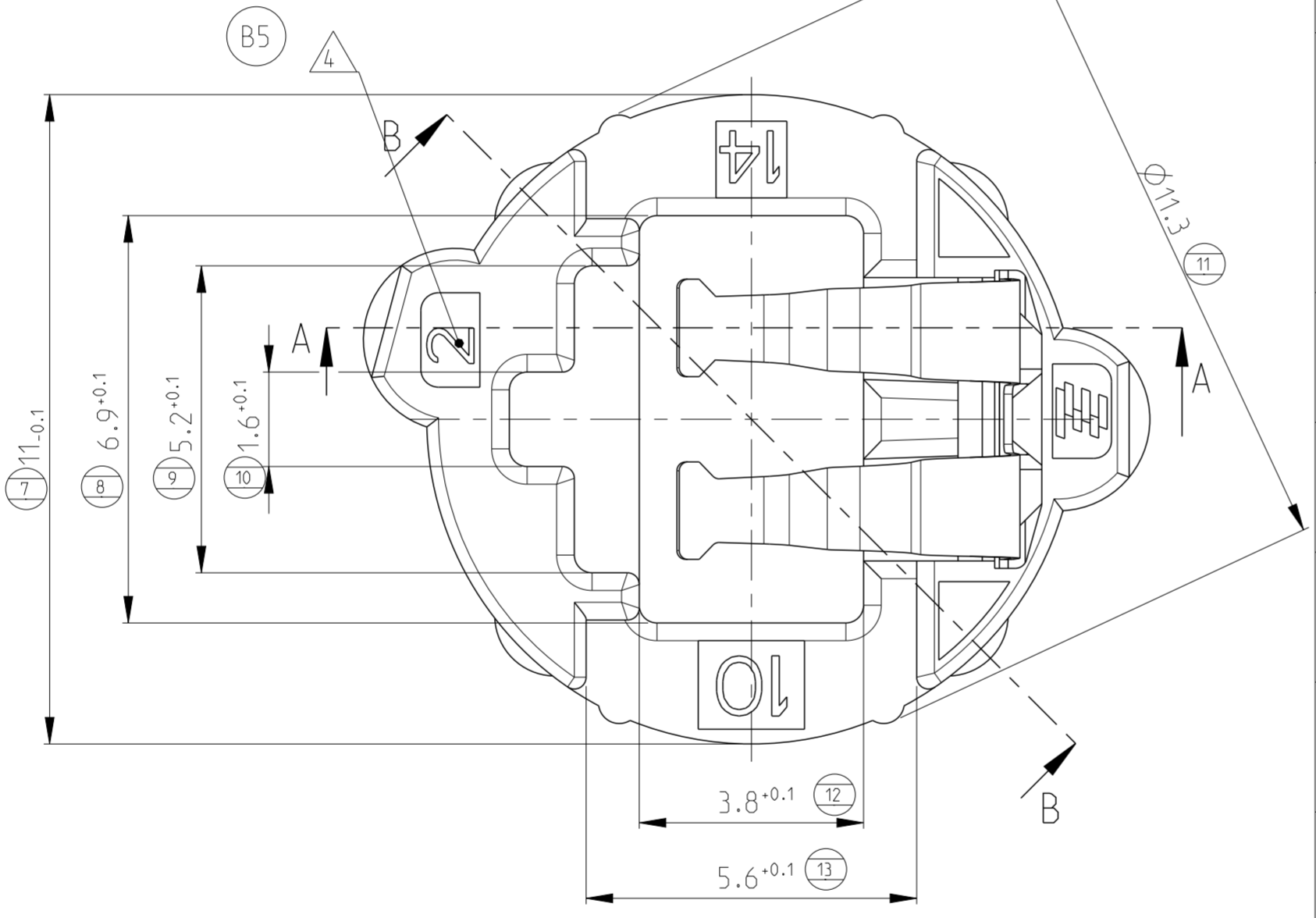
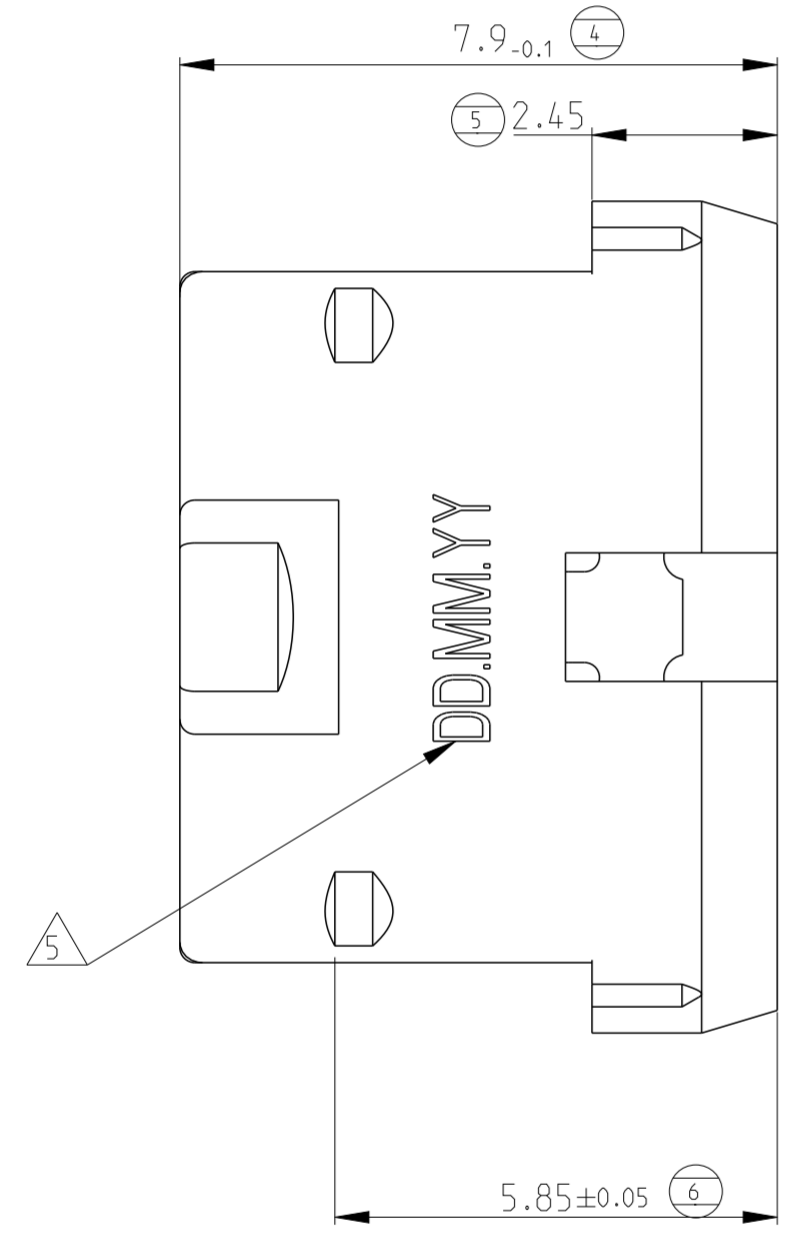
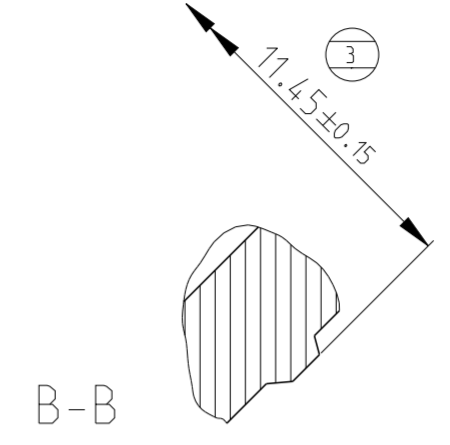
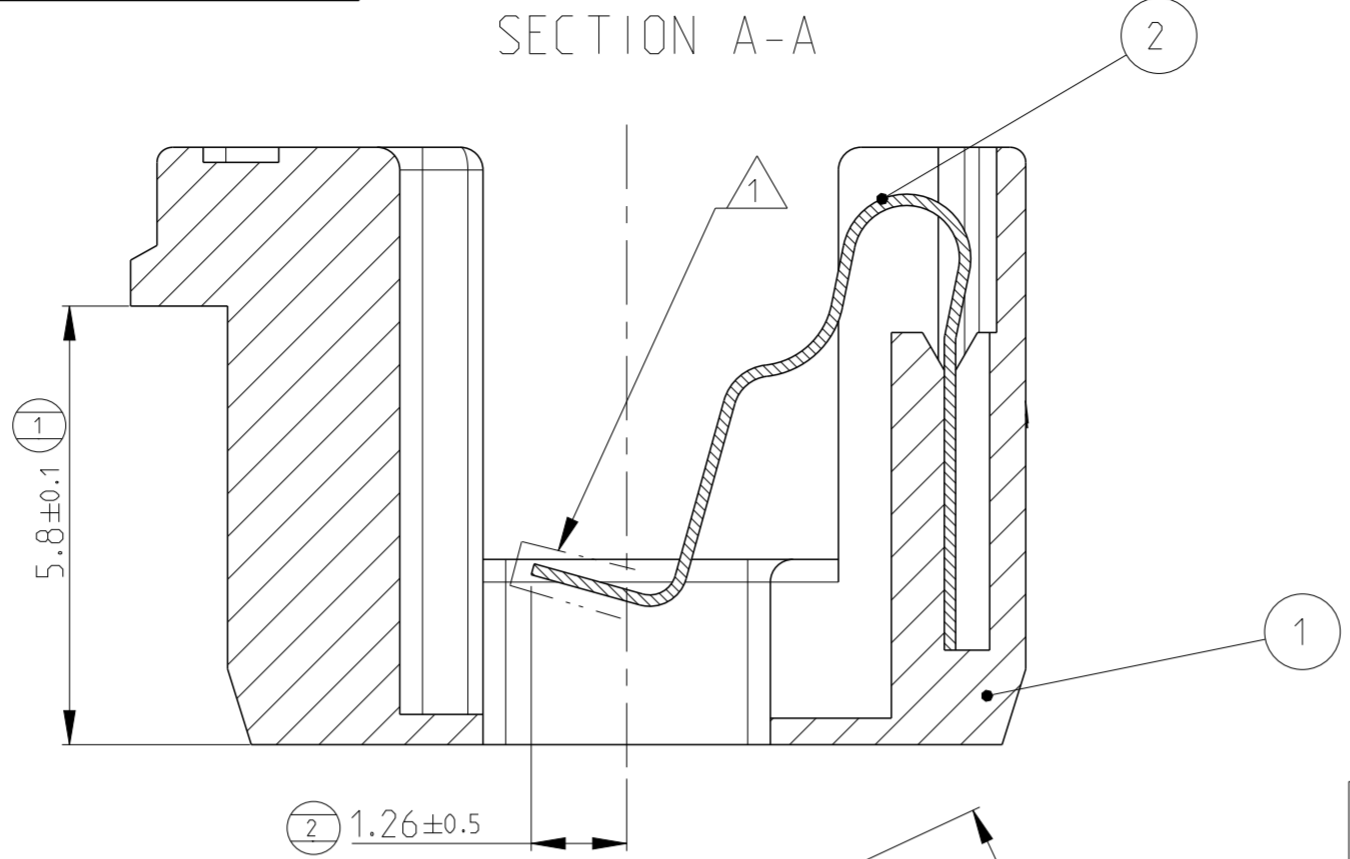
THIS DRAWING IS UNPUBLISHED. RELEASED FOR PUBLICATION 2011  
 © COPYRIGHT 2011 ALL RIGHTS RESERVED.

LOC		DIST		REVISIONS			
P	LTR	DESCRIPTION		DATE	DWN	APVD	
B4		ECR-11-007201		06APR2011	SPB	JM	
B5		ECR-14-015672		21OCT2014	OP	XR	

CODINGS  
SCALE 5:1



SECTION A-A



NOTES:

- 1 SELECTIVE PLATING IN THIS AREA >0.8 microns GOLD OVER >2.0 microns NICKEL
- 2 GENERAL TOLERANCE UNLESS OTHERWISE STATED ± 0.1mm
- 3. PACKAGING - LOOSE PIECE
- 4 MOULD IMPRESSION NUMBER
- 5 ASSEMBLY MANUFACTURING DATE CODE (DD.MM.YY)

ASSEMBLY No.	CODE	POSN	DESCRIPTION	MATERIAL	COLOUR	RAL NO.
3-1703884-2	C	2	SHORTING CLIP	Cu ALLOY		
		1	SCR HOUSING	10% G.F. PBT	ORANGE	2007
3-1703884-1	C	2	SHORTING CLIP	Cu ALLOY		
		1	SCR HOUSING	10% G.F. PBT	BLUE	5012
2-1703884-2	B	2	SHORTING CLIP	Cu ALLOY		
		1	SCR HOUSING	10% G.F. PBT	GREY	7037
2-1703884-1	B	2	SHORTING CLIP	Cu ALLOY		
		1	SCR HOUSING	10% G.F. PBT	GREEN	6032
1-1703884-6	A	2	SHORTING CLIP	Cu ALLOY		
		1	SCR HOUSING	10% G.F. PBT	GREEN	6032
1-1703884-5	A	2	SHORTING CLIP	Cu ALLOY		
		1	SCR HOUSING	10% G.F. PBT	PURPLE	4006
1-1703884-4	A	2	SHORTING CLIP	Cu ALLOY		
		1	SCR HOUSING	10% G.F. PBT	RED	3000
1-1703884-3	A	2	SHORTING CLIP	Cu ALLOY		
		1	SCR HOUSING	10% G.F. PBT	YELLOW	1016
1-1703884-2	A	2	SHORTING CLIP	Cu ALLOY		
		1	SCR HOUSING	10% G.F. PBT	BLUE	5012
1-1703884-1	A	2	SHORTING CLIP	Cu ALLOY		
		1	SCR HOUSING	10% G.F. PBT	BLACK	9012

THIS DRAWING IS A CONTROLLED DOCUMENT. DWN J.Marsh 15JUN07  
 CHK B.Baker 15JUN07  
 APVD -

**STE** TE Connectivity

NAME: 2 POS, SHORT CIRCUIT SPRING HOUSING ASSY

PRODUCT SPEC: 108-3644  
 APPLICATION SPEC: -

SIZE: A2 CAGE CODE: 00779 DRAWING NO: C-1703884 RESTRICTED TO: -  
 WEIGHT: 0.5 g SCALE: 10:1 SHEET 1 OF 1 REV: B5

MATERIAL: SEE ABOVE FINISH: - CUSTOMER DRAWING