

MATERIAL NO.	ENGINEERING NO.	FINISHED LENGTH
1300060156	102002A01F030	3 FT. (0.91 M)
1300060162	102002A01F120	12 FT. (3.66 M)
1300060168	102002A01F200	20 FT. (6.10 M)

CABLE LENGTH TOLERANCES

<.3M [1FT]: +19mm-0 [+.75in-0]

.3 - .9M [1 - 3FT]: +44.5mm-0 [+1.75in-0]

.9 - 1.8M [3 - 6FT]: +55.6mm-0 [+2.19in-0]

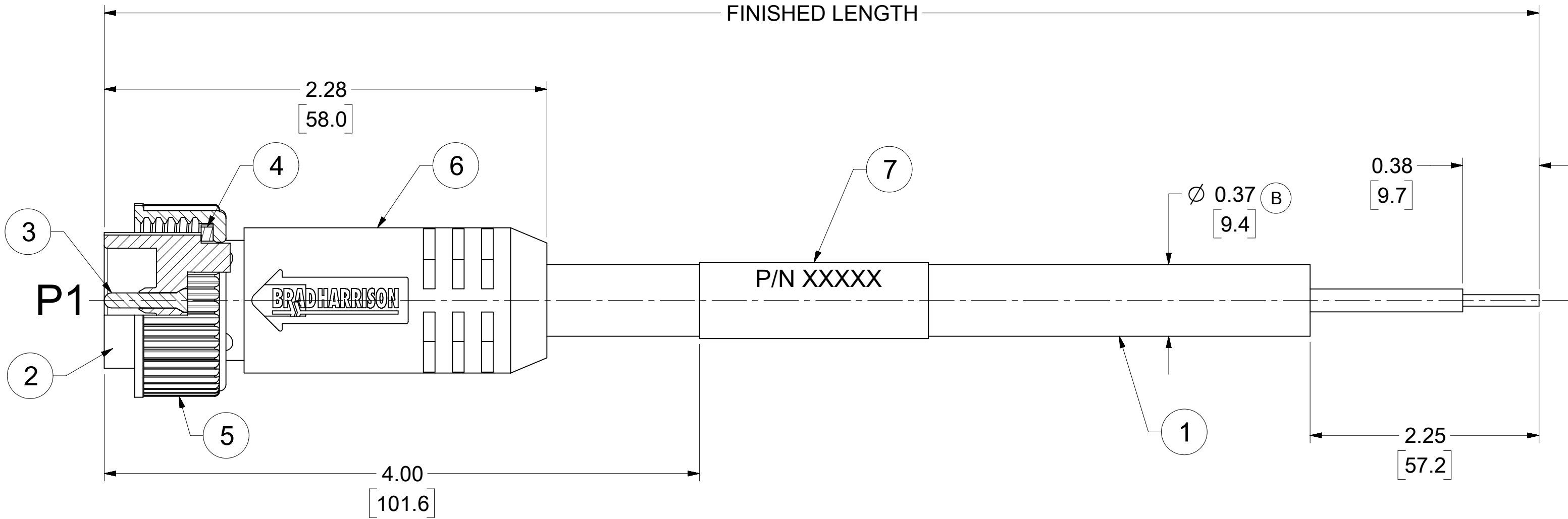
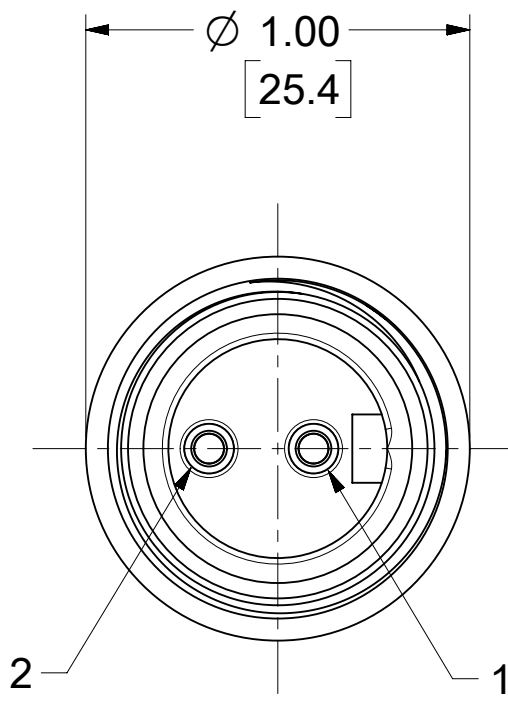
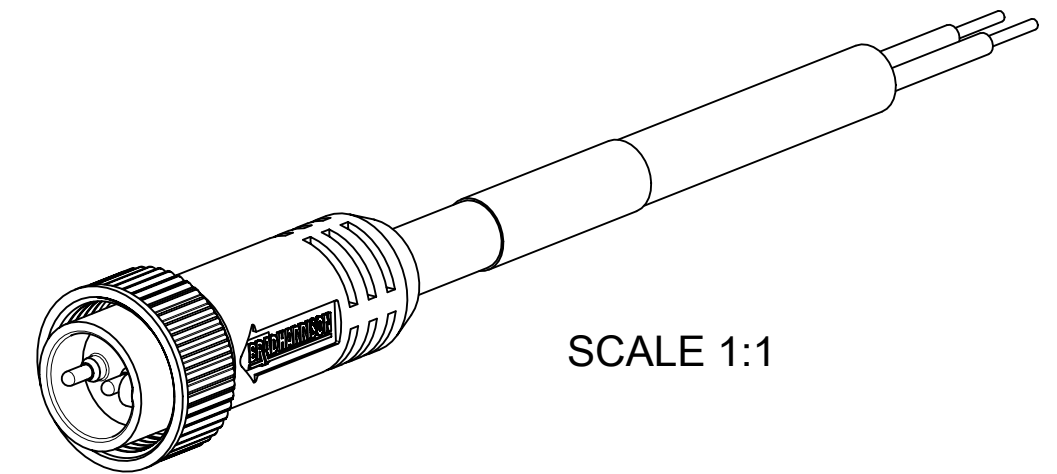
1.8 - 3.7M [6 - 12FT: +88.9mm-0 [+3.50in-0]

3.7 - 7.3M [12 - 24FT]: +165.1mm-0 [+6.50in-0]

7.3-14.6M [24 - 48FT]: +317.5mm-0 [+12.50in-0]

14.6 - 30.5M [48-100FT]: +622.3mm-0 [+24.50in-0]

OVER 30M [100FT] +2% OF FINISHED LENGTH



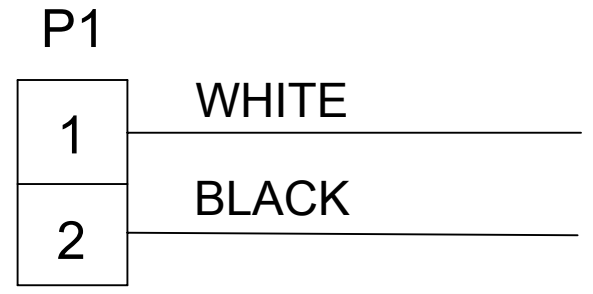
- NOTES:**
- MATERIAL: AS NOTED
 - FINISH: AS NOTED
 - ELECTRICAL:
 - VOLTAGE: 500V PER IEC60664
 - 600V PER UL2238
 - CURRENT: 13A
 - TEMP RATING: -20°C TO +105°C
 - PROTECTION: IP67 (WHEN MATED)
 - CSA CERTIFIED FILE: LR6837
 - UL RECOGNIZED FILE: E152210
 - COUPLING THREAD: 7/8-16UN
 - ALL DIMS ARE FOR REFERENCE UNLESS TOLERANCED OR NOTED OTHERWISE

PART NUMBER LEGEND

102002A01F030

FINISHED LENGTH
 F001= .1 FT
 F020= 2 FT
 F200= 20 FT

WIRING DIAGRAM



ITEM	DESCRIPTION	MATERIAL	FINISH
7	WRAP LABEL	VINYL	BLACK/YELLOW
6	OVERMOLD	TPE	YELLOW
5	COUPLING NUT	ZINC DIE CAST	BLACK E-COAT
4	FRICTION RING	NYLON	WHITE
3	PIN CONTACT	Cu ALLOY	GOLD OVER NICKEL
2	INSERT	TPE	YELLOW
1	#16-2 CABLE, STOOV/ST	PVC JACKET	YELLOW
	DOCUMENT STATUS	P1	RELEASE DATE
			2022/04/08 14:05:51

FUNCTIONAL SYMBOLS	THIS DRAWING CONTAINS INFORMATION THAT IS PROPRIETARY TO MOLEX ELECTRONIC TECHNOLOGIES, LLC AND SHOULD NOT BE USED WITHOUT WRITTEN PERMISSION																
	DIMENSION UNITS		SCALE		CURRENT REV DESC: ITEM # 2 & 6 WERE PVC 7 WAS PLASTIC FILM, CABLE DIA. AND MATERIAL P/N TABLE . ADDED CSA, UL, IEC VOLT, TEMP RATING, IP RATING, TOL. CHART AND PART NUMBER LEGEND												
	INCH/MM		2:1														
	GENERAL TOLERANCES (UNLESS SPECIFIED)																
DIVISIONAL SYMBOLS	4 PLACES		±	±	EC NO: 701162 DRWN: AKABADI 2021/11/02 CHK'D: RSTONE 2022/03/30 APPR: BWOODMAN 2022/04/08 INITIAL REVISION: DRWN: LHARTMANN 2009/06/05 APPR: JFMURPHY 2009/06/08												
	3 PLACES		±	± 0.005													
	2 PLACES		±	± 0.01													
	1 PLACE		±	± 0.02													
0 PLACES		±	±	<table border="1"> <tr> <td>DOCUMENT NUMBER</td> <td>DOC TYPE</td> <td>DOC PART</td> <td>REVISION</td> </tr> <tr> <td>SD-130006-002</td> <td>PSD</td> <td>001</td> <td>B</td> </tr> </table>						DOCUMENT NUMBER	DOC TYPE	DOC PART	REVISION	SD-130006-002	PSD	001	B
DOCUMENT NUMBER	DOC TYPE	DOC PART	REVISION														
SD-130006-002	PSD	001	B														
ANGULAR TOL		±	± 0.5 °	DRAFT WHERE APPLICABLE MUST REMAIN WITHIN DIMENSIONS		THIRD ANGLE PROJECTION		DRAWING	SERIES	MATERIAL NUMBER	CUSTOMER	SHEET NUMBER					
						C-SIZE		130006		SEE TABLE		GENERAL MARKET	1 OF 1				