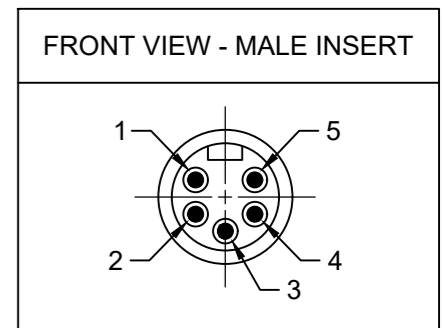
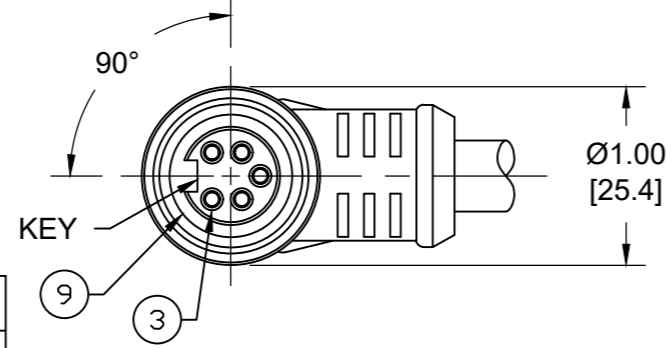
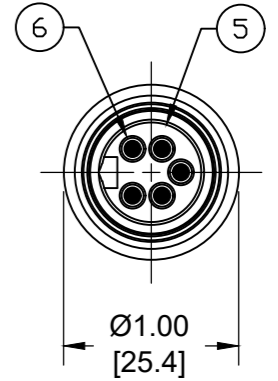
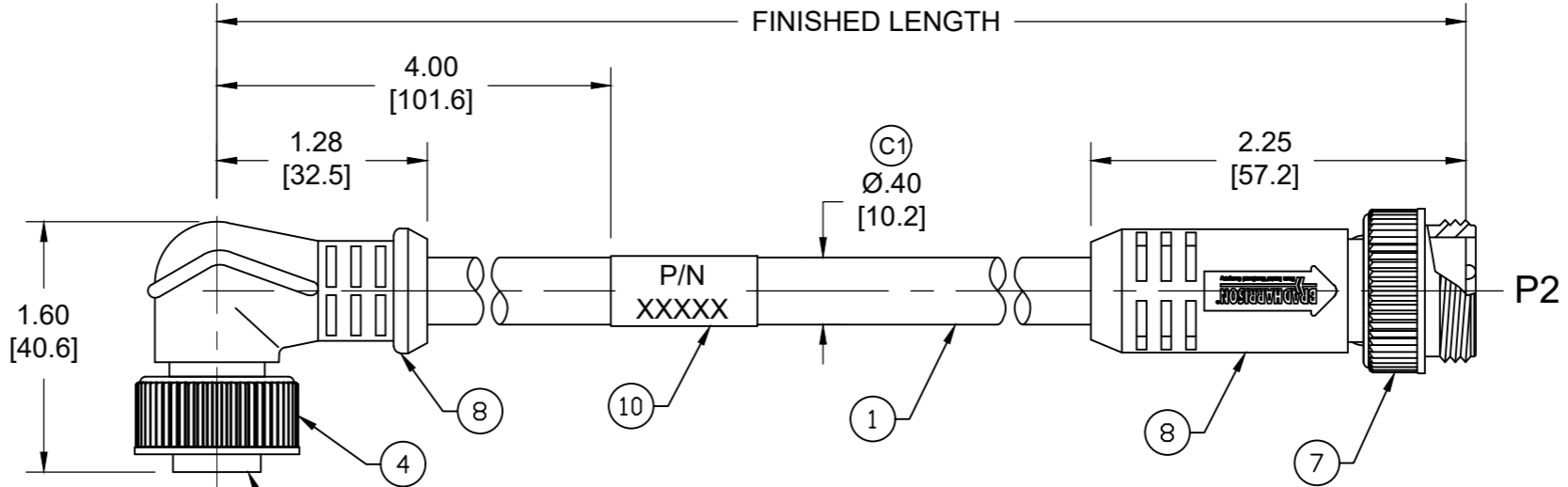


PART NO	ENGINEERING NO.	FINISHED LENGTH
1300101923	115031K13M005	0.5M [1FT 8 IN]
1300101933	115031K13M300	30M [98FT 5 IN]
1300101936	115031K13M600	60M [196FT 10 IN]



- NOTES:
- MATERIAL: SEE TABLE
 - FINISH: SEE TABLE
 - ELECTRICAL:
VOLTAGE: 400V PER IEC60664
600V PER UL2238
CURRENT: 8A (C1)
 - TEMP RATING: -20°TO +90°C
 - PROTECTION: IP67 (WHEN MATED)
 - COUPLING THREAD: 7/8-16 UN
 - UL LISTED FILE: E152210
 - ALL DIMENSIONS ARE FOR REFERENCE UNLESS TOLERANCED OR NOTED OTHERWISE



S1		P2	
1	WHITE	1	
2	RED	2	
3	GREEN/YELLOW	3	
4	ORANGE	4	
5	BLACK	5	

MECHANICAL CHARACTERISTICS:

TORSIONAL FLEX TEST	20 MILLION CYCLES PER MIL-C-13777G
BEND FLEX TEST	20 MILLION CYCLES PER MIL-C-13777G
WELD SLAG RESISTANCE	WOODHEAD STANDARD S-300

10	WRAP LABEL	VINYL	BLACK/YELLOW	(C1)
9	FRICTION RING	NYLON	WHITE	(C1)
8	OVERMOLD	TPE	YELLOW	
7	COUPLING NUT, MALE	ZINC DIE-CAST	BLACK E-COAT	
6	CONTACT PIN	COPPER ALLOY	GOLD OVER NICKEL	
5	MALE INSERT	TPE	YELLOW	
4	COUPLING NUT, FEMALE	ZINC DIE-CAST	BLACK E-COAT	
3	CONTACT SOCKET	COPPER ALLOY	GOLD OVER NICKEL	
2	FEMALE INSERT	TPE	YELLOW	
1	CABLE, 16/5 AWG	TPE	YELLOW	
ITEM	DESCRIPTION	MATERIAL	FINISH	

PART NUMBER LEGEND
115031K13M005

FINISHED LENGTH
M005= 0.5 METER
M010= 1 METER
M100= 10 METER

CABLE LENGTH TOLERANCES

<.3M [1FT]:	+19mm-0 [+.75in-0]
.3 - .9M [1 - 3FT]:	+44.5mm-0 [+1.75in-0]
.9 - 1.8M [3 - 6FT]:	+55.6mm-0 [+2.19in-0]
1.8 - 3.7M [6 - 12FT]:	+88.9mm-0 [+3.50in-0]
3.7 - 7.3M [12 - 24FT]:	+165.1mm-0 [+6.50in-0]
7.3-14.6M [24 - 48FT]:	+317.5mm-0 [+12.50in-0]
14.6 - 30.5M [48-100FT]:	+622.3mm-0 [+24.50in-0]
OVER 30M [100FT]:	+2% OF FINISHED LENGTH

FUNCTIONAL SYMBOLS F=0 E=0 P=0	THIS DRAWING CONTAINS INFORMATION THAT IS PROPRIETARY TO MOLEX ELECTRONIC TECHNOLOGIES, LLC AND SHOULD NOT BE USED WITHOUT WRITTEN PERMISSION		CURRENT REV DESC: ADDED ITEM-9 & 10, CABLE DIA. CURRENT WAS 10A. MODIFIED PART NUMBER CHART			
	DIMENSION UNITS: INCH/MM					
	GENERAL TOLERANCES (UNLESS SPECIFIED)		EC NO: 709714		MINI-CHANGE CORDSET, A-SIZE	
	4 PLACES ±--- ±---		DRWN: ABENJAMINLW 2022/05/18		5 POLE, MALE STR - FEMALE 90DEG, SINGLE KEY, #16/5 AWG HI-FLEX	
3 PLACES ±--- ±---		CHK'D: RSTONE 2022/06/08		PRODUCT CUSTOMER DRAWING		
2 PLACES ±--- ±---		APPR: BWOODMAN 2022/06/14		DOCUMENT NUMBER: SD-130010-021		
1 PLACE ±--- ±---		INITIAL REVISION:		DOC TYPE: PSD		
0 PLACES ±--- ±---		DRWN: VOU 2012/02/17		DOC PART: 001		
ANGULAR TOL ± --- °		APPR: JFMURPHY 2013/04/05		REVISION: C1		
DRAFT WHERE APPLICABLE MUST REMAIN WITHIN DIMENSIONS		THIRD ANGLE PROJECTION		SHEET NUMBER: 1 OF 1		
		DRAWING: B-SIZE		MATERIAL NUMBER: SEE CHART		
		SERIES: 130010		CUSTOMER: GENERAL MARKET		