

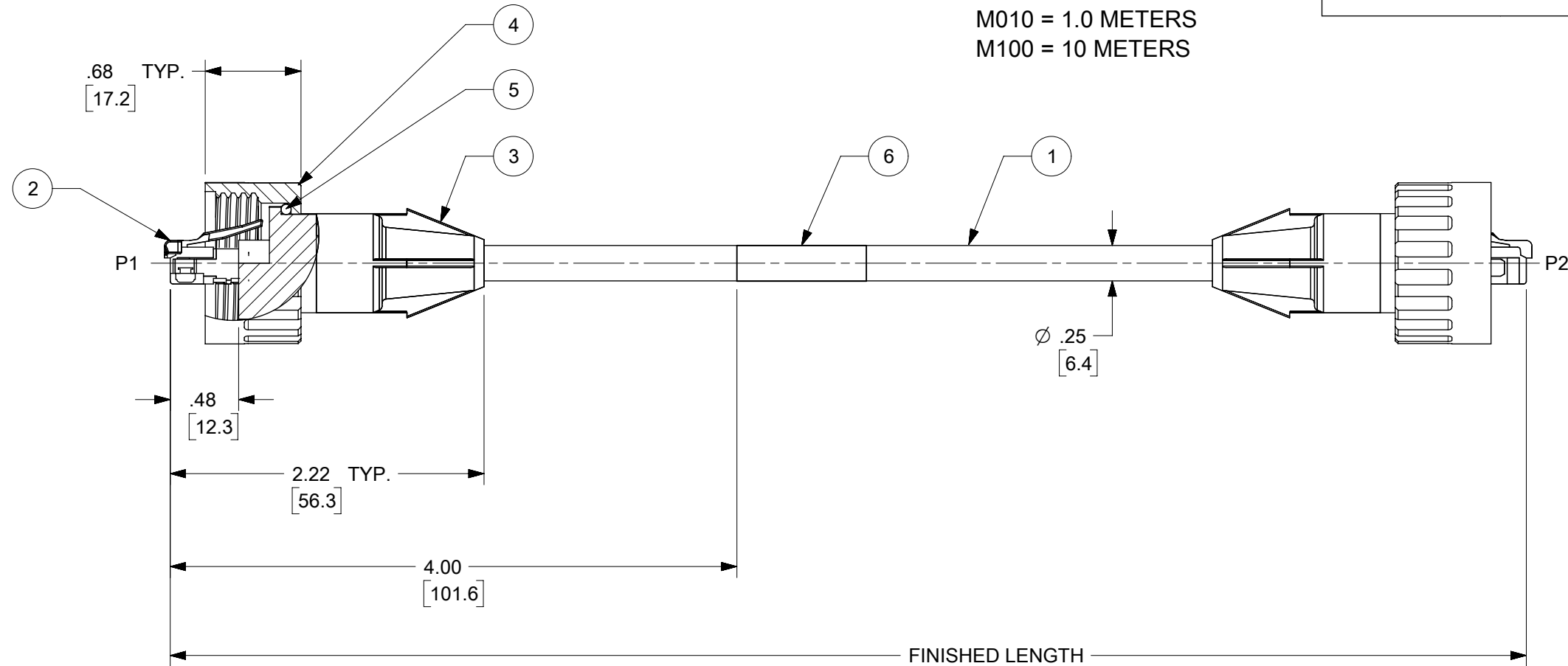
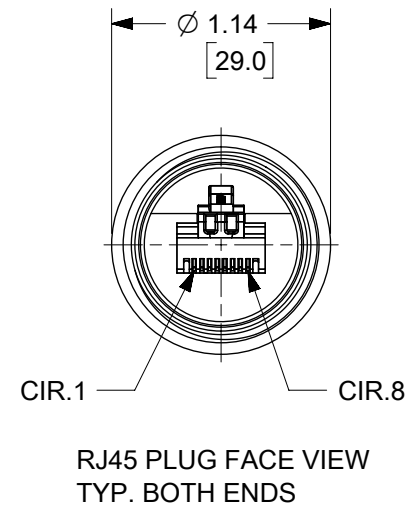
PART NO.	ENG. NO.	FINISHED LENGTH
1300500335	ENS2115M006	0.6M [2 FT]
1300500336	ENS2115M010	1M [3 FT 3 IN]
1300500341	ENS2115M050	5M [16 FT 5 IN]
1300500346	ENS2115M100	10M [32 FT 10 IN]

CABLE LENGTH TOLERANCES	
>.3M [1FT]:	+19mm-0 [+ .75in-0]
.3 - .9M [1 - 3FT]:	+44.5mm-0 [+1.75in-0]
.9 - 1.8M [3 - 6FT]:	+55.6mm-0 [+2.19in-0]
1.8 - 3.7M [6 - 12FT]:	+88.9mm-0 [+3.50in-0]
3.7 - 7.3M [12 - 24FT]:	+165.1mm-0 [+6.50in-0]
7.3-14.6M [24 - 48FT]:	+317.5mm-0 [+12.50in-0]
14.6 - 30.5M [48-100FT]:	+622.3mm-0 [+24.50in-0]
OVER 30M [100FT]	+2% OF FINISHED LENGTH

PART NUMBER MATRIX

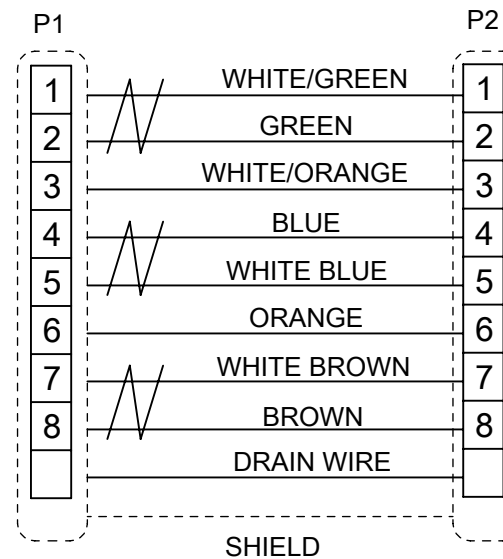
ENS2115M006

LENGTH
M001 = .1 METERS
M010 = 1.0 METERS
M100 = 10 METERS



- NOTES:
1. MATERIAL: AS NOTED
 2. FINISH: AS NOTED
 3. ELECTRICAL:
VOLTAGE: 125V DC
CURRENT: 1.5A
 4. TEMP RATING: -20°TO +75°C
 5. PROTECTION: IP67 (WHEN MATED)
 6. COUPLING THREAD: 1-14 UNS
 7. ALL DIMS ARE FOR REFERENCE UNLESS TOLERANCED OR NOTED OTHERWISE

568-A WIRE DIAGRAM



ITEM	DESCRIPTION	MATERIAL	FINISH
6	LABEL	VINYL	BLACK/YELLOW
5	O-RING	VITON	BROWN
4	COUPLING NUT	ABS	BLACK
3	OVERMOLD	PUR	BLACK
2	RJ45 PLUG	PC/Cu ALLOY	CLEAR/GOLD PLATED
1	CABLE, 24AWG, 4PR, CAT5E	PUR	BLACK

FUNCTIONAL SYMBOLS	THIS DRAWING CONTAINS INFORMATION THAT IS PROPRIETARY TO MOLEX ELECTRONIC TECHNOLOGIES, LLC AND SHOULD NOT BE USED WITHOUT WRITTEN PERMISSION		CURRENT REV DESC: INITIAL RELEASE	
	DIMENSION UNITS	SCALE		
$\nabla F = 0$	INCH	1:1		
$\nabla E = 0$	GENERAL TOLERANCES (UNLESS SPECIFIED)			
$\nabla G = 0$		MM	INCH	
DIVISIONAL SYMBOLS	4 PLACES	±	±	
	3 PLACES	±	±	
	2 PLACES	±	±	
	1 PLACE	±	±	
	0 PLACES	±	±	
	ANGULAR TOL	±	°	
DRAFT WHERE APPLICABLE MUST REMAIN WITHIN DIMENSIONS		THIRD ANGLE PROJECTION	DRAWING	SERIES
			B-SIZE	130050
DOCUMENT NUMBER		DOC TYPE	DOC PART	REVISION
1300500010		PSD	000	A
MATERIAL NUMBER		CUSTOMER		SHEET NUMBER
SEE P/N MATRIX		GENERAL MARKET		1 OF 1