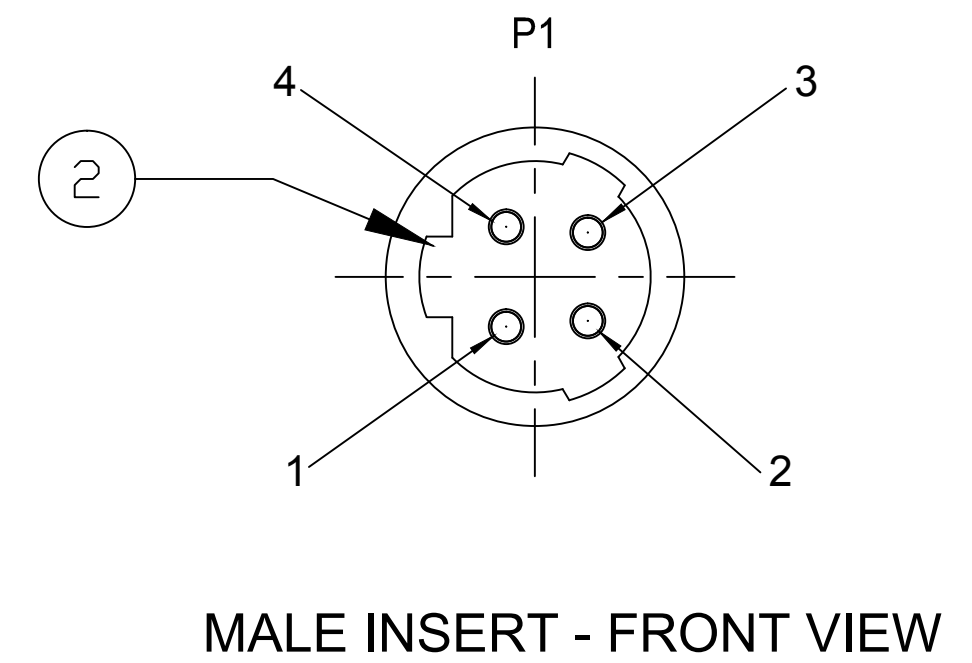
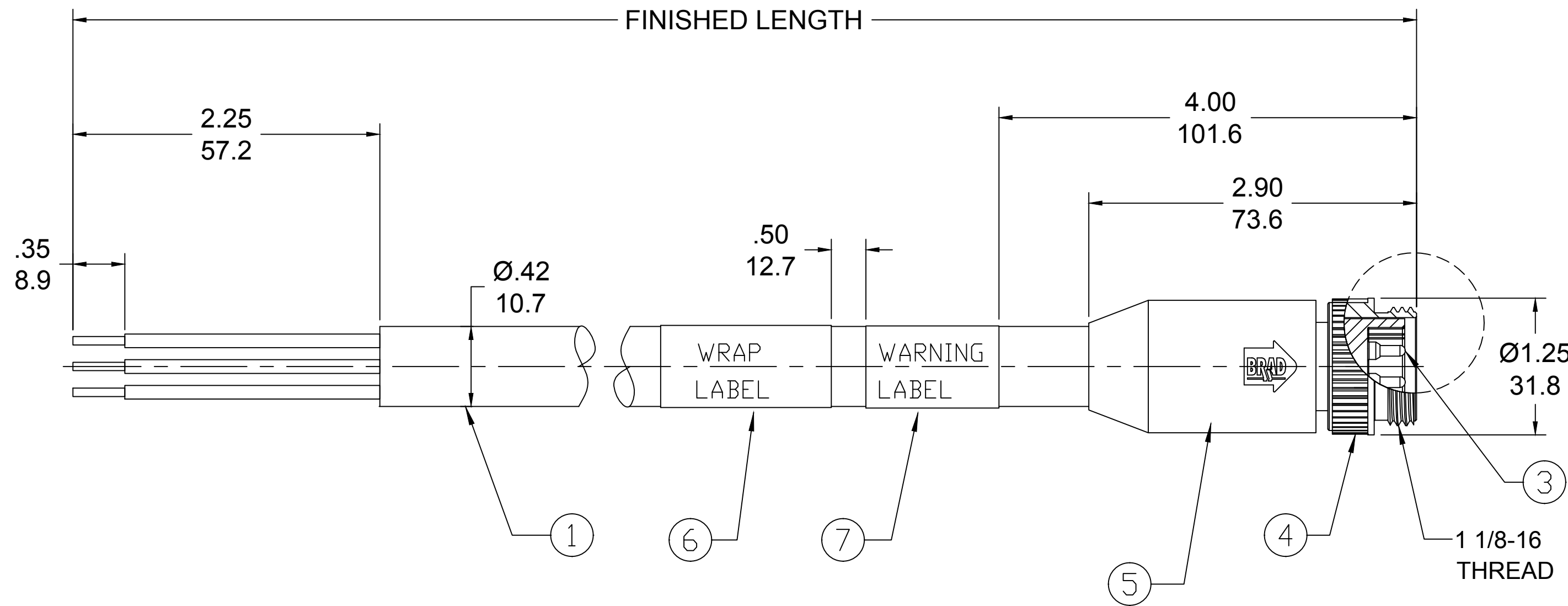


SAP P/N #	ENGINEERING P/N	FINISHED LENGTH
1300610291	304106K29M100A3	10M

CABLE LENGTH TOLERANCES	
>.3M [1FT]:	+19mm-0 [+1.75in-0]
.3 - .9M [1 - 3FT]:	+44.5mm-0 [+1.75in-0]
.9 - 1.8M [3 - 6FT]:	+55.6mm-0 [+2.19in-0]
1.8 - 3.7M [6 - 12FT]:	+88.9mm-0 [+3.50in-0]
3.7 - 7.3M [12 - 24FT]:	+165.1mm-0 [+6.50in-0]
7.3-14.6M [24 - 48FT]:	+317.5mm-0 [+12.50in-0]
14.6 - 30.5M [48-100FT]:	+622.3mm-0 [+24.50in-0]
OVER 30M [100FT]:	+2% OF FINISHED LENGTH



- NOTES:
- MATERIAL: SEE TABLE
  - FINISHES: SEE TABLE
  - ELECTRICAL DATA  
MAX VOLTAGE: UL2237 600V  
MAX CURRENT: 25A
  - TEMP RATING: -20°C TO 90°C
  - PROTECTION: IP67 WHEN MATED
  - UL CERTIFIED: UL2237 PENDING
  - ALL DIMS ARE FOR REFERENCE UNLESS OTHERWISE NOTED

PART NUMBER LEGEND

304106K29M100A3

FINISHED LENGTH:  
M001= .1M  
M010= 1.0M  
M100= 10.0M

P1	
BLACK #1	1
BLACK #2	2
BLACK #3	3
GREEN/YELLOW	4

WIRING DIAGRAM

7	WARNING LABEL	VINYL	MULTICOLOR
6	WRAP LABEL	VINYL	YELLOW
5	OVERMOLD	TPE	GRAY
4	MALE COUPLING NUT	BRASS	NICKEL PLATED
3	PIN CONTACT	BRASS	GOLD PLATED
2	MALE INSERT	TPE	BLACK
1	CABLE	TPE	BLACK
ITEM	DESCRIPTION	MATERIAL	FINISH

INITIAL RELEASE EC NO: IPG2019-0393 DRWN: CCHRSTK 2019/02/13 CHKD: MZIELINS 2019/02/26 APPR: BWOODMAN 2019/03/11	QUALITY SYMBOL ▽=0 ∇=0	GENERAL TOLERANCES (UNLESS SPECIFIED)		DIMENSION STYLE	SCALE	DESIGN UNITS	THIRD ANGLE PROJECTION
		4 PLACES	±----	INCH	NTS	INCH	
		3 PLACES	±----	mm	DRAWN BY	DATE	TITLE
		2 PLACES	±----	mm	CCHRSTK	2019/02/13	
1 PLACE	±----	mm	CHECKED BY	DATE	MOLEX INCORPORATED	SHEET NO. 1 OF 1	
ANGULAR ±---°		BWOODMAN	2019/03/11	DOCUMENT NO. SD-130061-043			
DRAFT WHERE APPLICABLE MUST REMAIN WITHIN DIMENSIONS		MATERIAL NO. SEE P/N CHART		THIS DRAWING CONTAINS INFORMATION THAT IS PROPRIETARY TO MOLEX INCORPORATED AND SHOULD NOT BE USED WITHOUT WRITTEN PERMISSION			