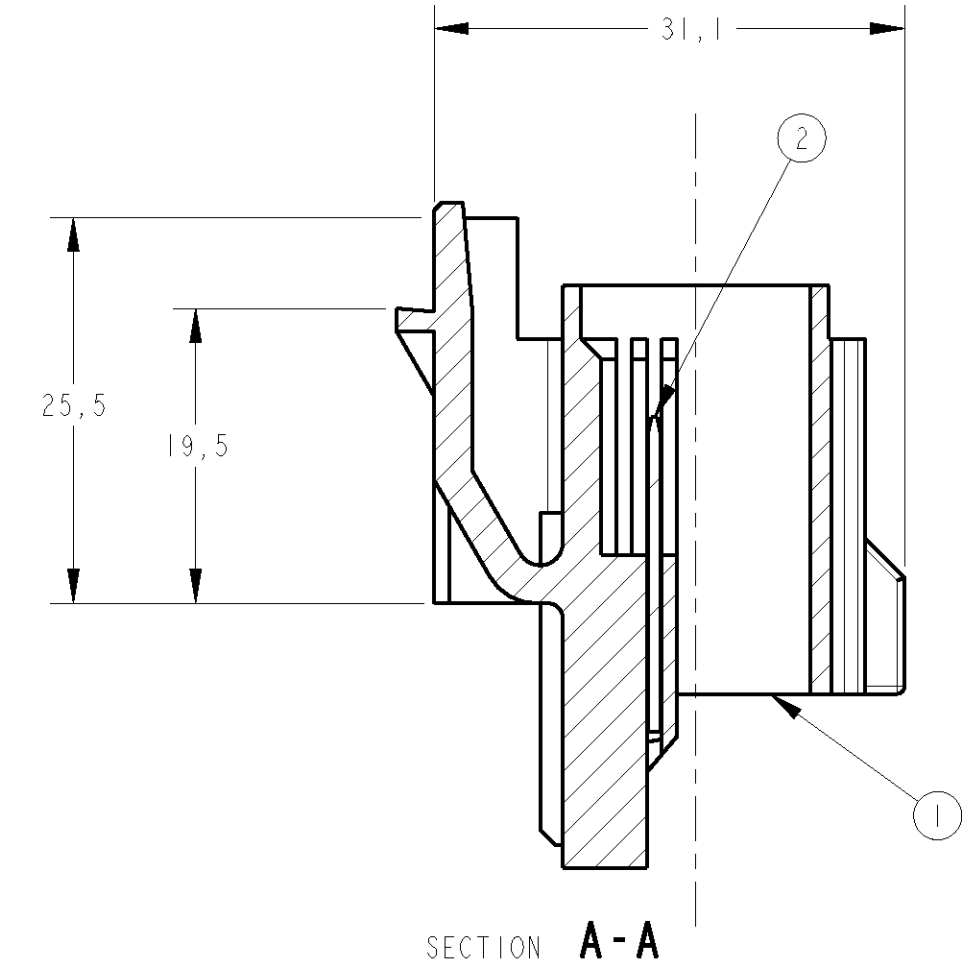
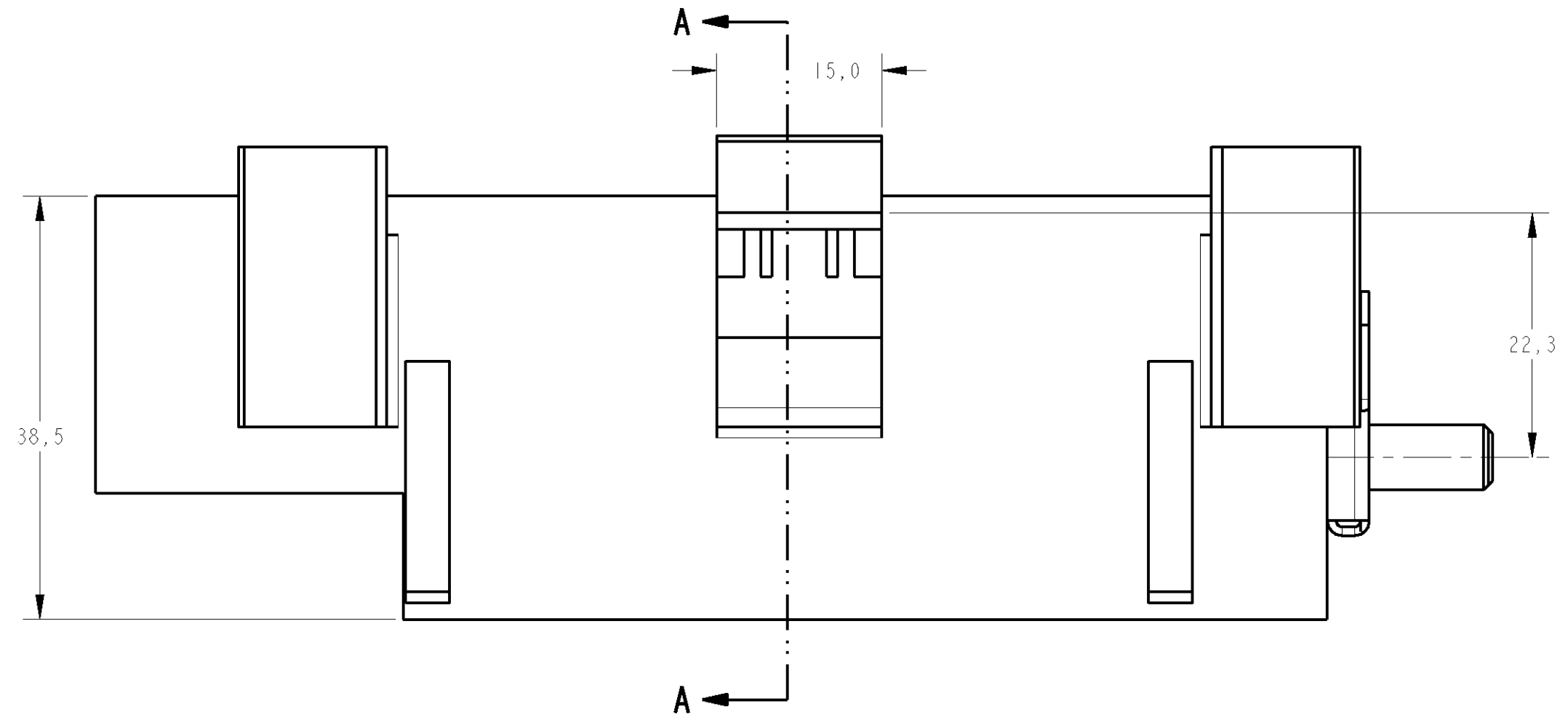
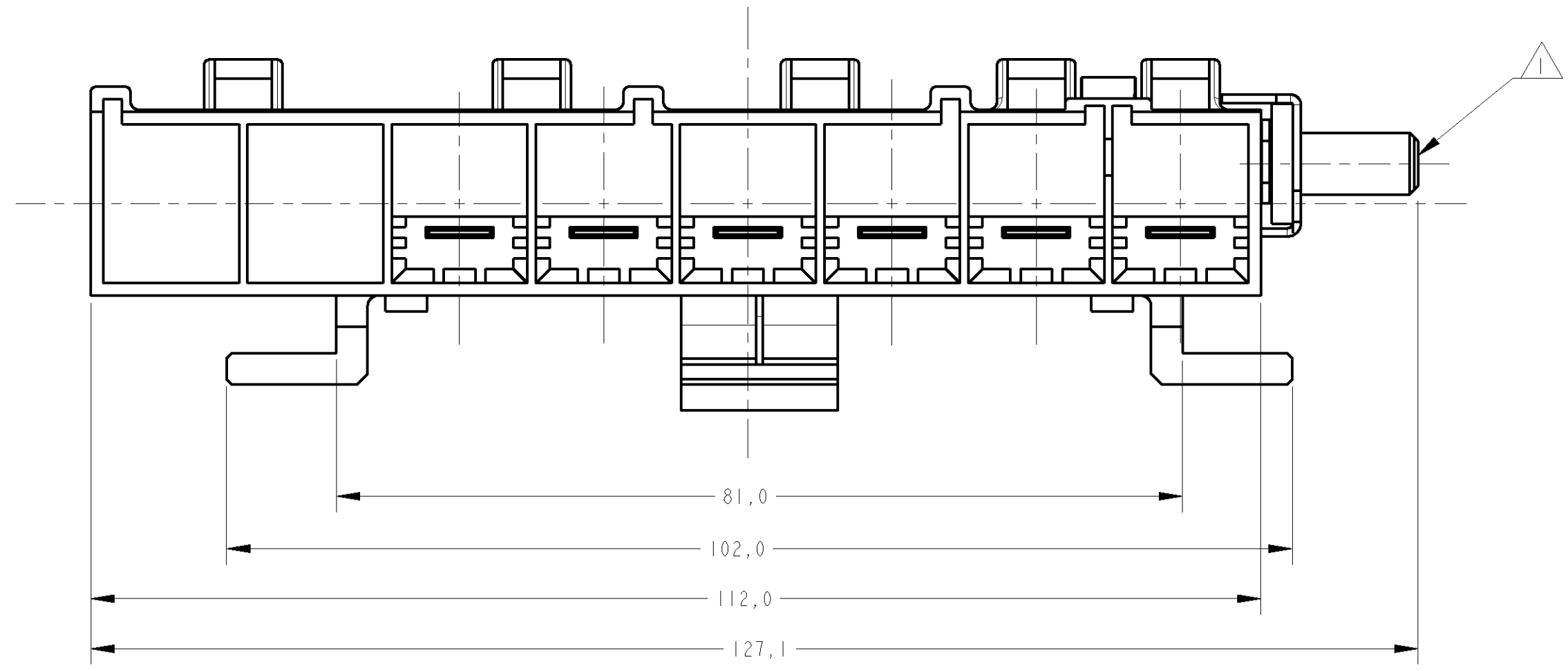


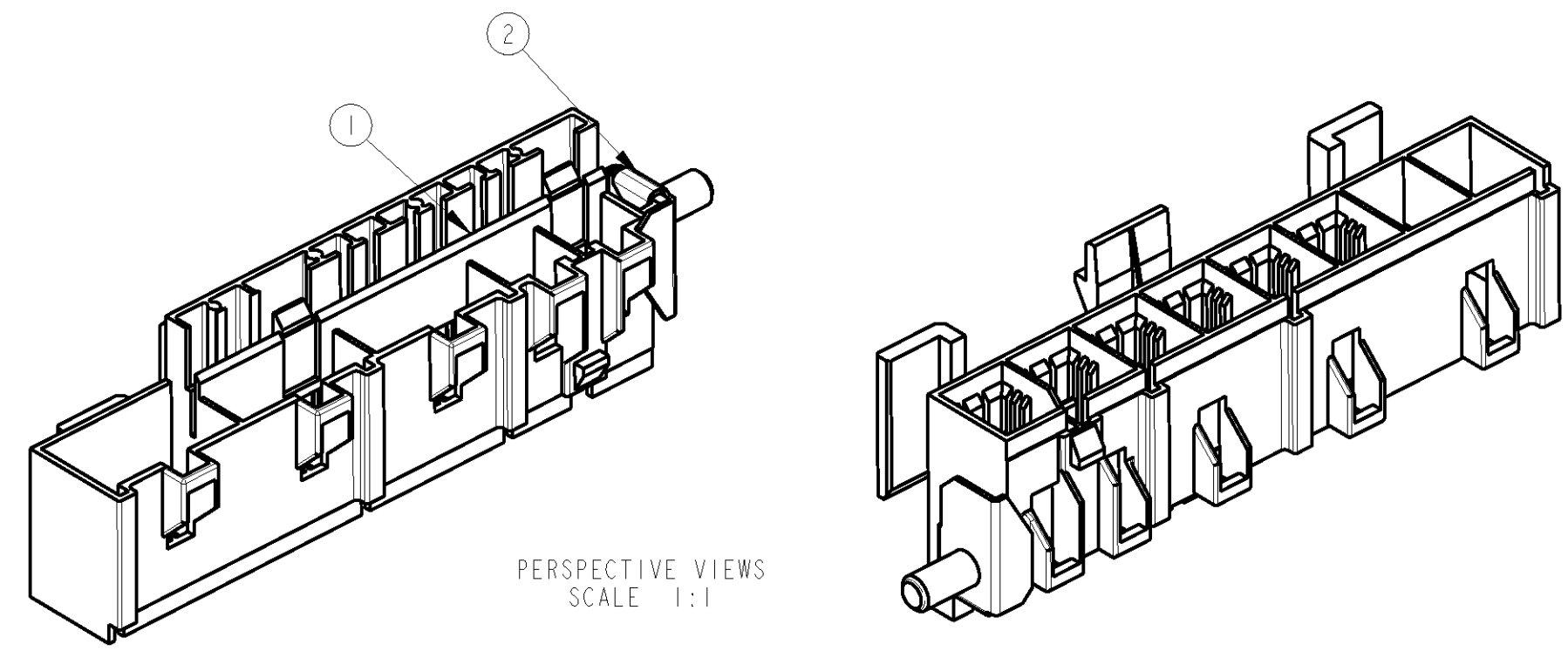
THIS DRAWING IS UNPUBLISHED. RELEASED FOR PUBLICATION 2004
 © COPYRIGHT 2004 BY TYCO ELECTRONICS CORPORATION. ALL RIGHTS RESERVED.

LOC	DIST	REVISIONS			
P	LTR	DESCRIPTION	DATE	DWN	APVD
AP	-				
	D	REVISED BY ECO-07-001095	23JAN2007	RKTL	PLF
	E	REVISED BY ECO-07-002738	06FEB2007	RKTL	PLF
	EI	REVISED BY ECO-07-008450	13APR2007	NCL	PLF



⚠ - TORQUE NO PARAFUSO: 5,0 - 7,0 Nm. ⚠ - SCREW TORQUE: 5,0 - 7,0 Nm.
 2 - DEVE ATENDER A ESPECIFICAÇÃO FORD S96FG 14A073 BA. 2 - PART MUST COMPLY WITH FORD SPEC. S96FG 14A073 BA.

GRAVAÇÃO MARKING
LOGOTIPO AMP AMP LOGO
CÓDIGO PAÍS PRODUTOR MANUFACTURER COUNTRY CODE
NOMENCLATURA MATERIAL MATERIAL NOMENCLATURE
NÚMERO COMPONENTE TYCO TYCO COMPONENT NUMBER
NÚMERO CAVIDADE CAVITY NUMBER
REV+ LETRA REV.DA PEÇA REV.+ PART REV.LETTER



REQ. PER ASSY	ITEM	DESCRIPTION	MATERIAL	FINISH
	1	BUSBAR 6 POSN.	COBRE / COOPER	ESTANHADO / TIN PLATED
	1	HOUSING 8 POSN.	PBT + 10% F.V. / G.F.	PRETO / BLACK
1480839	-1			

<small>THIS DRAWING IS A CONTROLLED DOCUMENT FOR TYCO ELECTRONICS CORPORATION. IT IS SUBJECT TO CHANGE AND THE CONTROLLING ENGINEERING ORGANIZATION SHOULD BE CONTACTED FOR THE LATEST REVISION.</small>		DWN A. PERUSSI 30APR2004 CHK P. L. FARIA 30APR2004 APVD D. A. OLIVEIRA 30APR2004	tyco Electronics TYCO ELECTRONICS do Brasil LTDA. São Paulo, Brasil
DIMENSIONS: mm 		TOLERANCES UNLESS OTHERWISE SPECIFIED: 0 PLC ± 1 PLC ±0,3 2 PLC ± 3 PLC ± 4 PLC ± ANGLES ±1 FINISH	NAME: MAXI FUSE BOX ASSEMBLY PRODUCT SPEC: - APPLICATION SPEC: - WEIGHT: - / - CUSTOMER DRAWING
MATERIAL: SEE TABLE SEE TABLE		SIZE: A2 CAGE CODE: 00779 DRAWING NO: C-1480839 RESTRICTED TO: - / -	SCALE: 2:1 SHEET: 1 OF 1 REV: E1