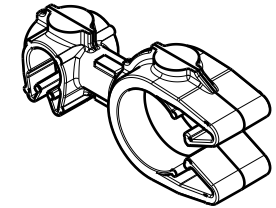
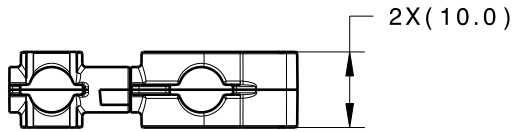
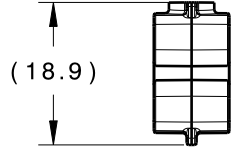
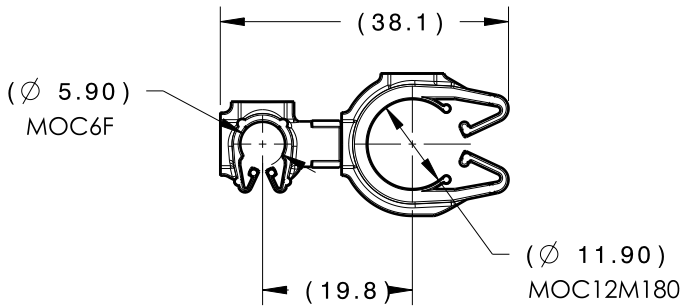


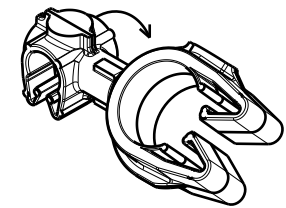
Revision Level			Revision Record	Changed	Date	Approved	Date
Drawing	State	Part					
00.1	Design Release	-	SEE ECN# 014769	TAT	11/28/2018	EJH	11/28/2018



ISOMETRIC VIEW



CLIPS ROTATE 360 DEGREES



ISOMETRIC VIEW ROTATED

TYPE	MOC6F	MOC12M180
HARNESS	5.5MM - 6.5MM	11.5MM - 13.0MM
HOSE	5.5MM - 6.5MM	10.5MM - 13.0MM
HARD PIPE/TUBE	6.0MM - 6.8MM	12.0MM - 13.8MM

\*RECOMMENDED SIZES MAY DIFFER DEPENDING ON THE APPLICATION , PRODUCT REQUIREMENTS AND MATERIALS USED

\*\*PATENT PENDING 29/582,271

GLOBAL PART DESCRIPTION	MOC6F			MOC12M**		
	DRAWING	MATERIAL	COLOR	DRAWING	MATERIAL	COLOR
MOC6FMOC12M180-PA66HIRHSUV-BK	16-0314-000-CSU	PA66HIRHSUV	BLACK	16-0319-000-CSU	PA66HIRHSUV	BLACK

Material SEE CHART COLOR: SEE CHART	Units	millimeters	The copyright of this drawing is reserved by HellermannTyton. It is issued on condition that it is not reproduced, copied or disclosed to a third party, either wholly or in part, without the consent of HellermannTyton.	Drawn	CJR	8/8/18	Article/Type-No MOC6FMOC12M180	Scale	1:1	
	Tolerance defined on each dimension	Approved		TAT	8/9/18	Title 6MM MOC COUPLED TO A 12MM MOC M1806		Project Number	16-0330	
		<b>HellermannTyton</b> North America Email: corp@htamericas.com Web: www.hellermann.tyton.com			Drawing-No		PRODUCTION : Phase	Format	AH	
								<b>16-0330-139-CSU</b>		Sheet