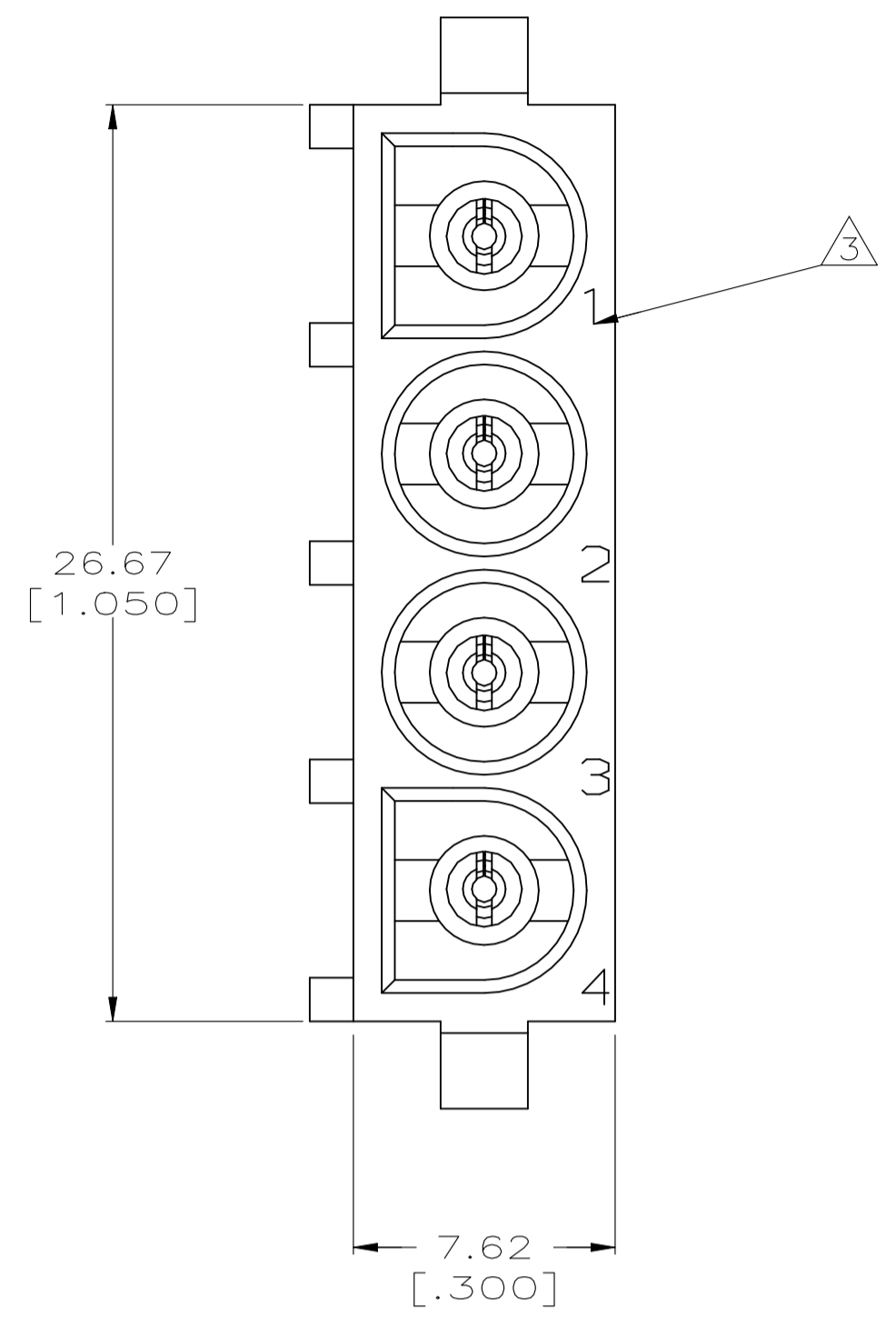
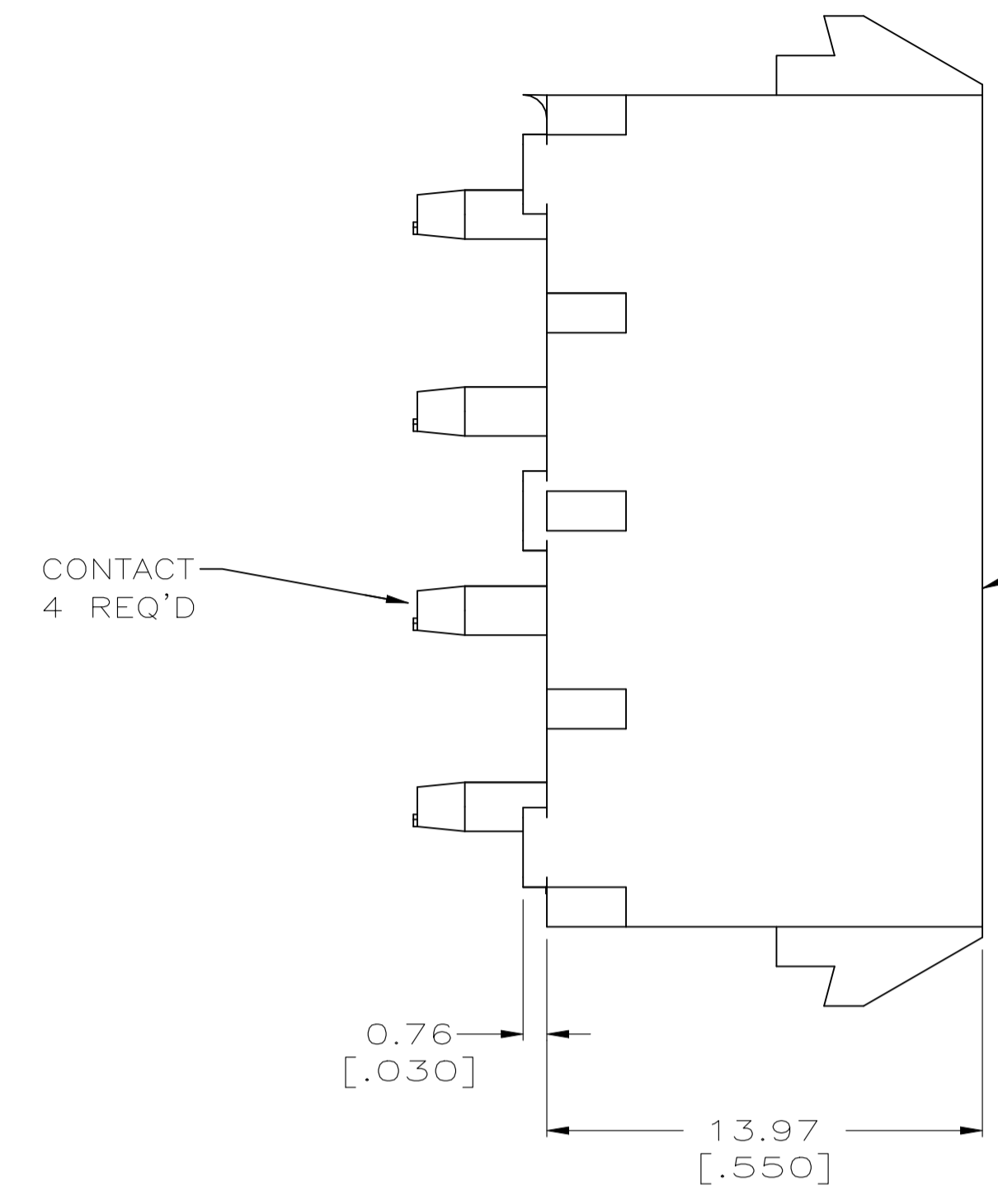
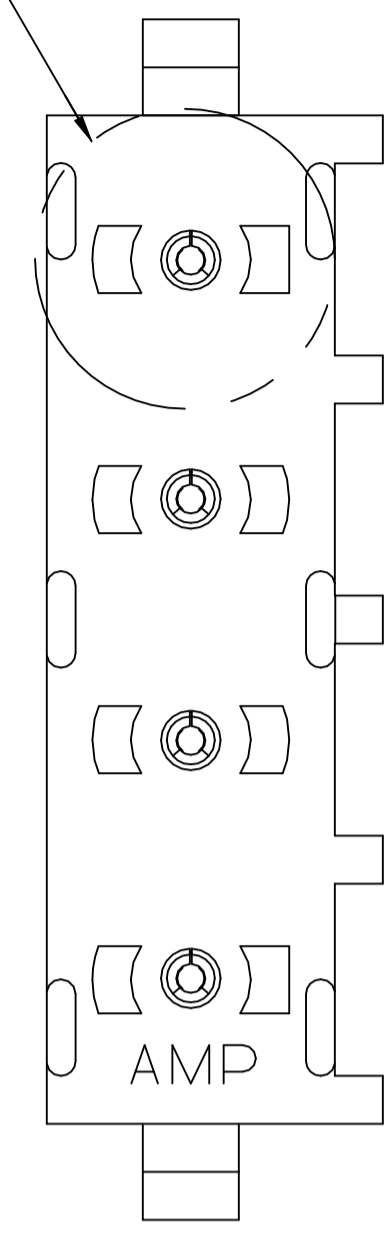


REVISIONS					
REV	DATE	DESCRIPTION	BY	CHK	APP'D
B1	02NOV2021	REVISED PER ECR-21-119230	SS	VS	

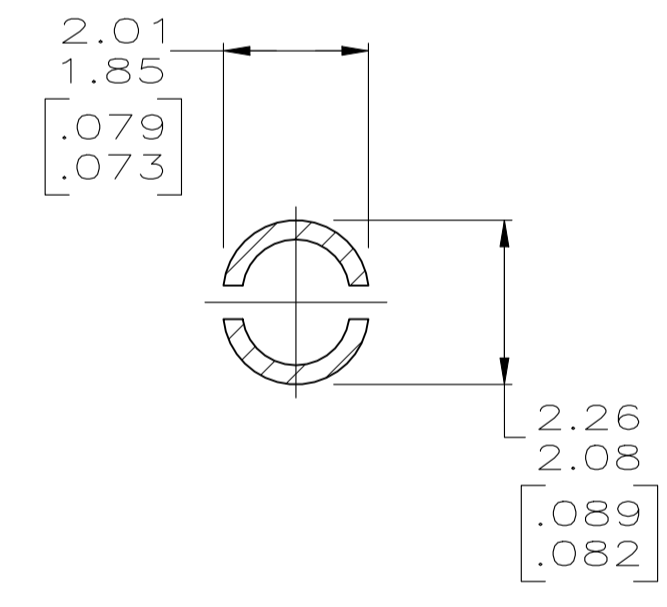
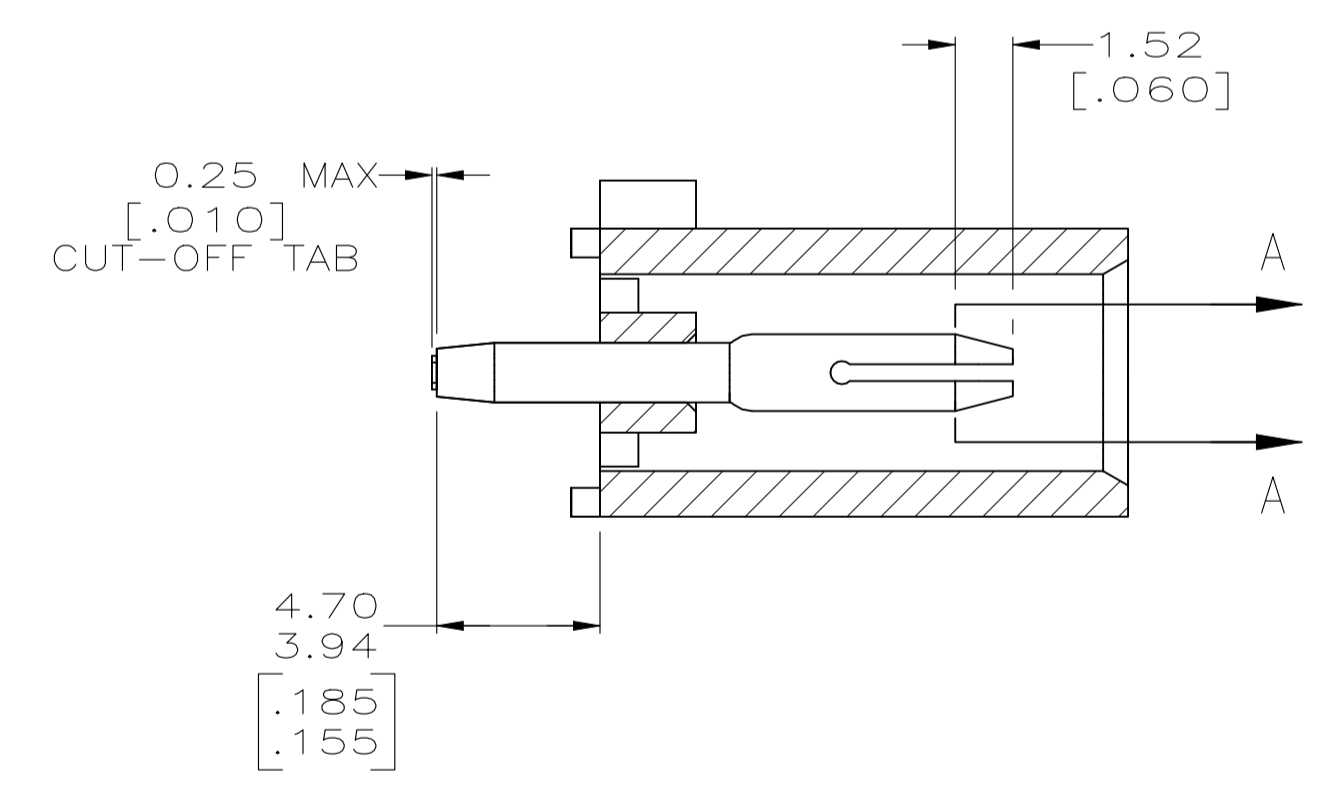
SEE DETAIL A



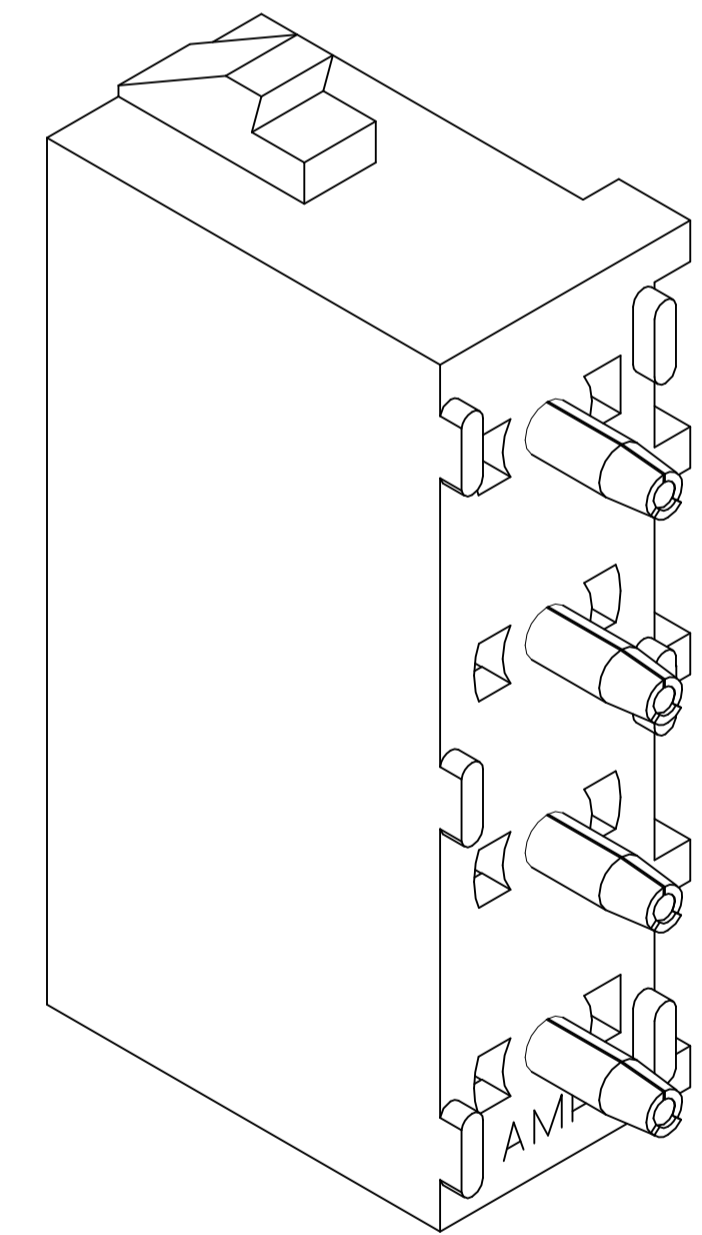
- PARTS COMPLY TO AMP SOLDERABILITY SPECIFICATION 109-11-3.
- △ DRAIN HOLES LOCATED AS SHOWN. OPTIONAL CONSTRUCTION - ALL DRAIN HOLES LOCATED 90° AS SHOWN IN DETAIL A.
- △ CIRCUIT IDENTIFICATION CHARACTERS ARE ADJACENT TO THE INDICATED CAVITIES, BUT LOCATION AND ORIENTATION MAY DIFFER FROM PRINT.
- DIMENSIONS IN BRACKETS ARE IN INCHES.
- FLAMMABILITY V2 FOR THICKNESS 0.38mm, 1.5mm, and 3.0mm PER IEC 60695-11-10.
- GLOW-WIRE FLAMMABILITY (GWFI) 800°C FOR THICKNESS 0.38mm AND 0.75mm PER IEC 60695-2-12.
- GLOW-WIRE FLAMMABILITY (GWFI) 960°C FOR THICKNESS 1.5mm AND 3.0mm PER IEC 60695-2-12.
- GLOW-WIRE IGNITION (GWIT) 825°C FOR THICKNESS 0.38mm, 0.75mm, 1.5mm AND 3.0mm PER IEC 60695-2-13.
- DIMENSIONS SHOWN REPRESENT PRODUCT IN DRY CONDITION. ADDITIONAL 2% GROWTH DUE TO END USE LOCATION MOISTURE ABSORPTION MAY OCCUR AND SHOULD BE ACCOUNTED FOR.

CONTACT 4 REQ'D

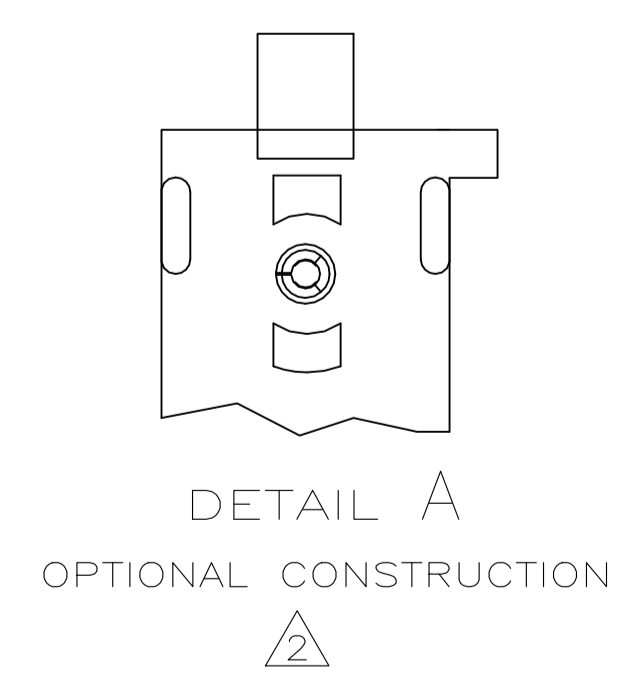
HOUSING



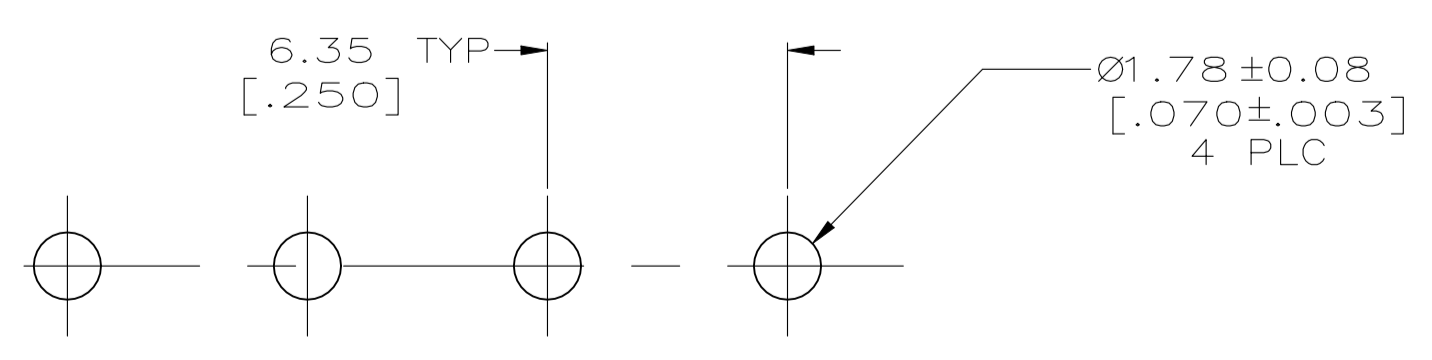
SECTION A-A
SCALE 10:1



3-DIMENSIONAL MODEL
NTS



DETAIL A
OPTIONAL CONSTRUCTION



RECOMMENDED MOUNTING HOLE PATTERN
FOR 1.57 [.062] THICK P.C. BOARD

PHOSPHOR BRONZE, PRE-TIN		NYLON, UL94V-2,NATURAL	1586963-1
PIN CONTACT MATERIAL AND FINISH		HOUSING MATERIAL	PART NUMBER
THIS DRAWING IS A CONTROLLED DOCUMENT.		DIN K. WHITAKER 07AUG2007	TE Connectivity
DIMENSIONS: mm [INCHES]		CHK D. COLEY 07AUG2007	
TOLERANCES UNLESS OTHERWISE SPECIFIED:		NAME D. COLEY 07AUG2007	PRODUCT SPEC
0 PLC ± -		APPLICATION SPEC	PIN HEADER ASSEMBLY, 4 CIRCUIT UNIVERSAL MATE-N-LOK(TM)
1 PLC ± -		SIZE	CAGE CODE
2 PLC ± 0.13 [.005]		DRAWING NO	RESTRICTED TO
3 PLC ± -		WEIGHT	
4 PLC ± -		0.000000	A1 00779
ANGLES ± α°30'		CUSTOMER DRAWING	SCALE 5:1 SHEET 1 OF 1 REV B1