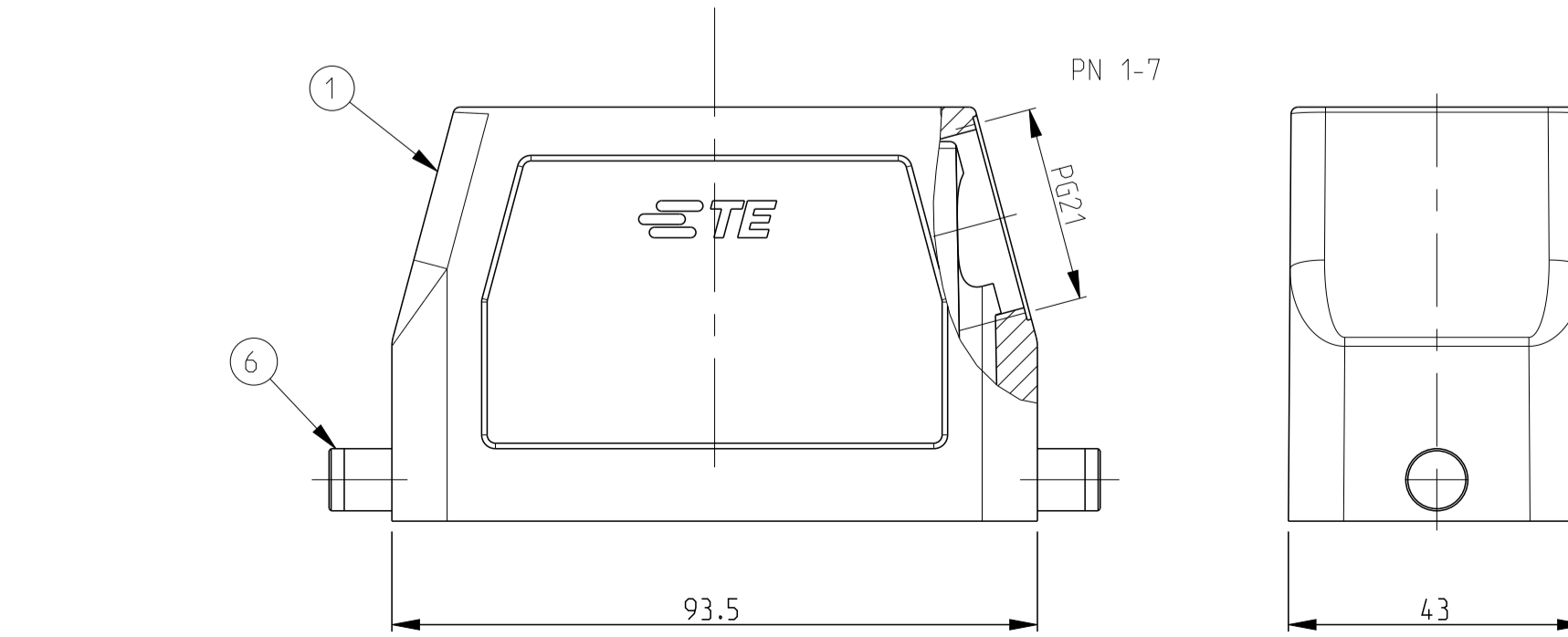
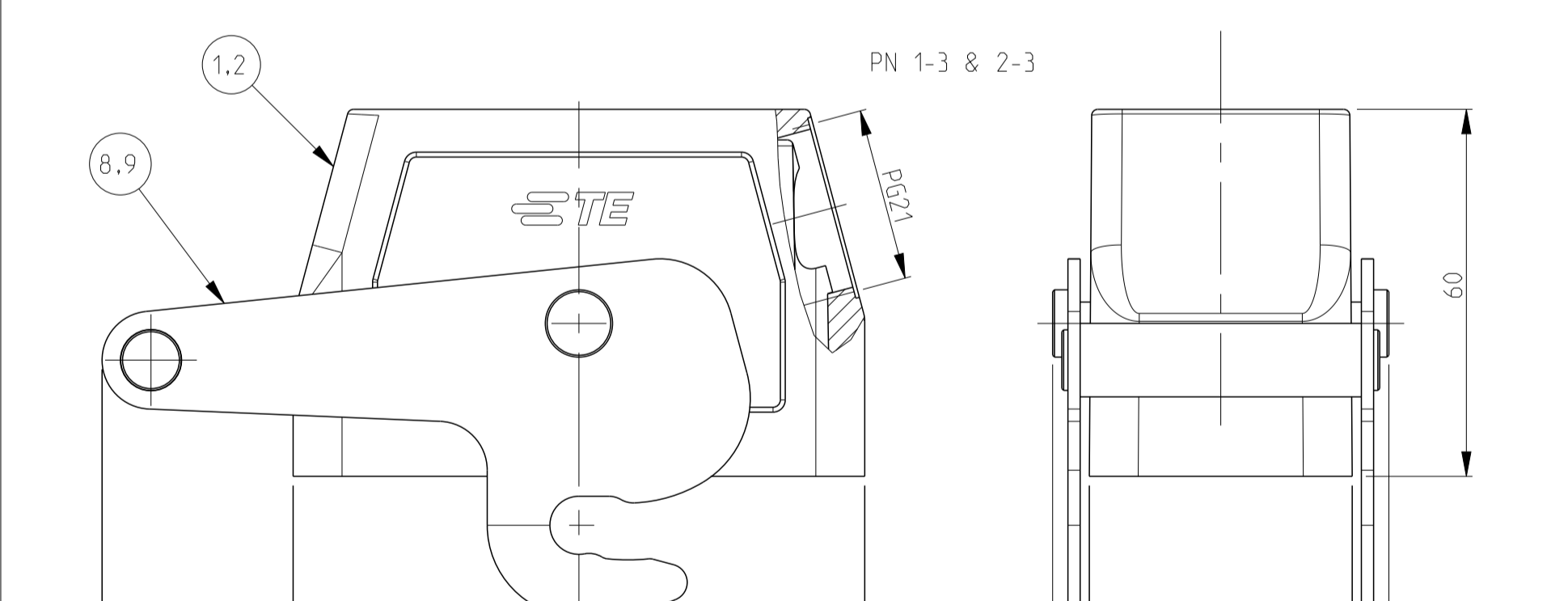
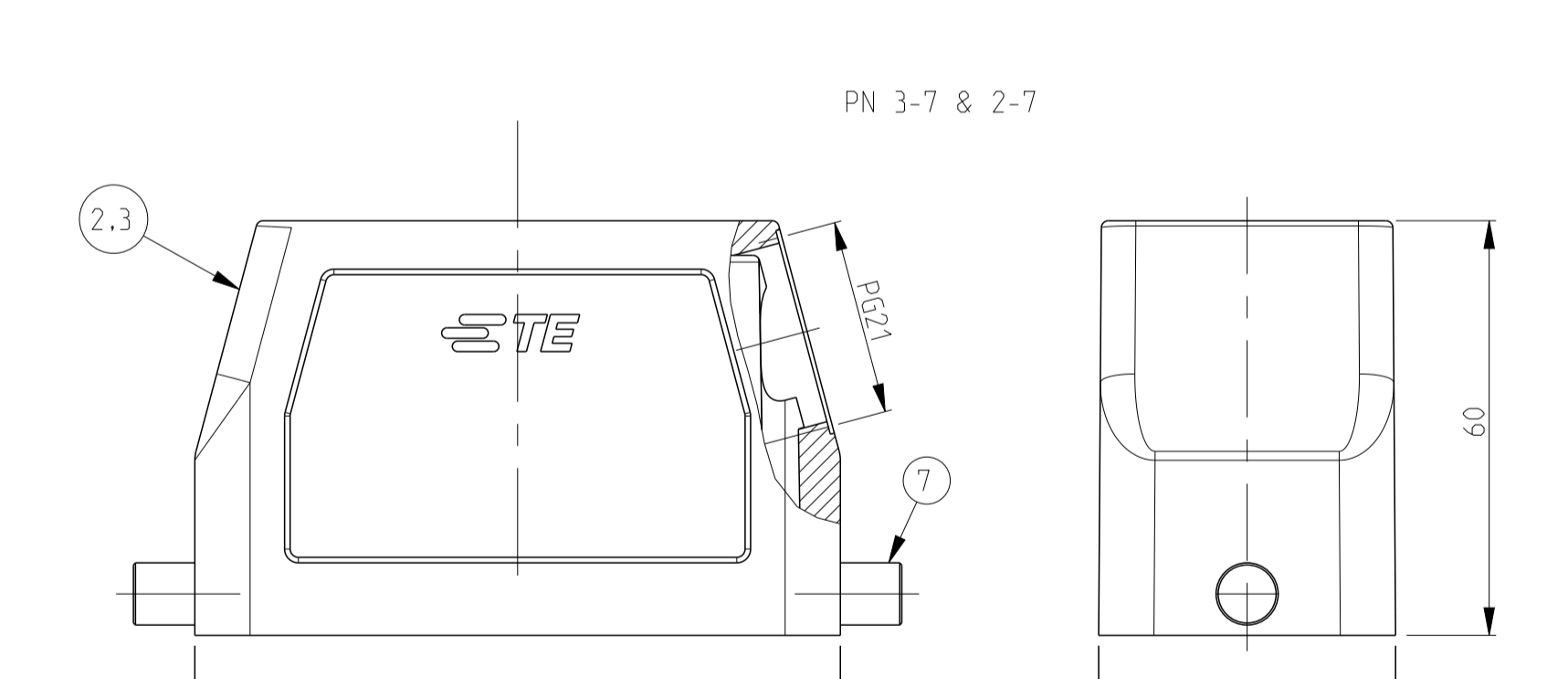
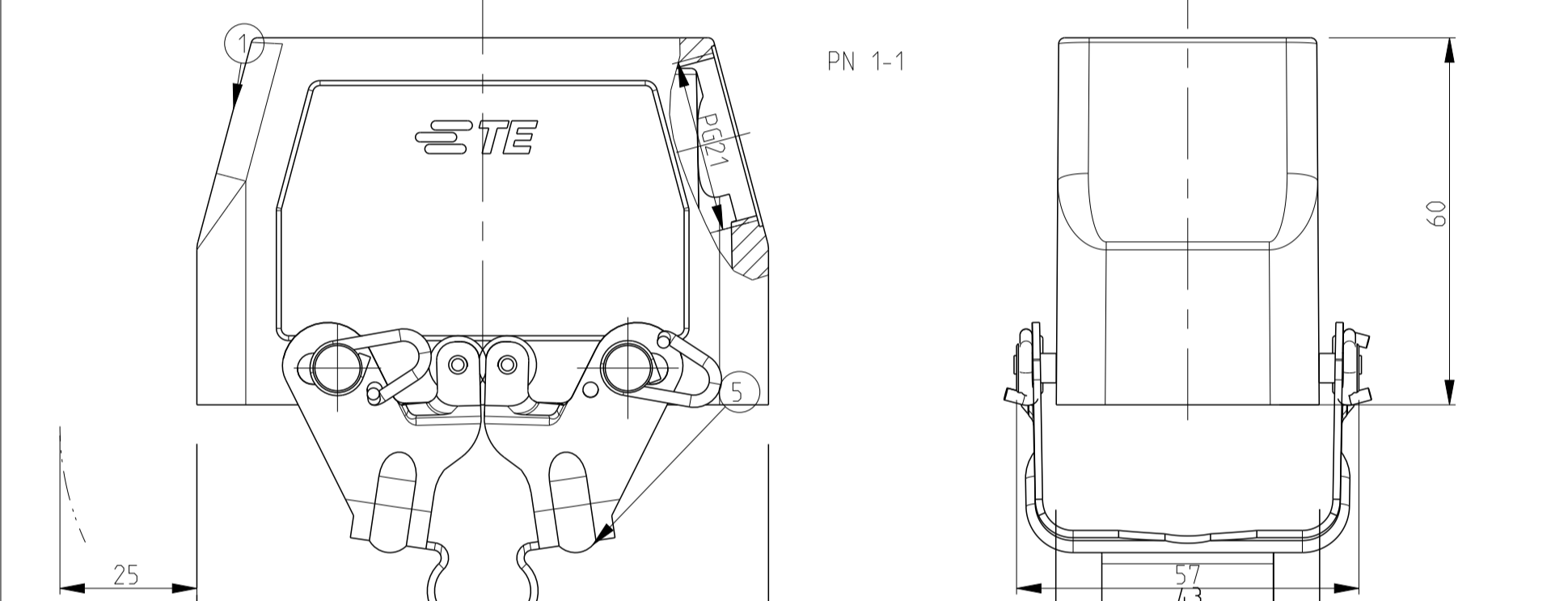
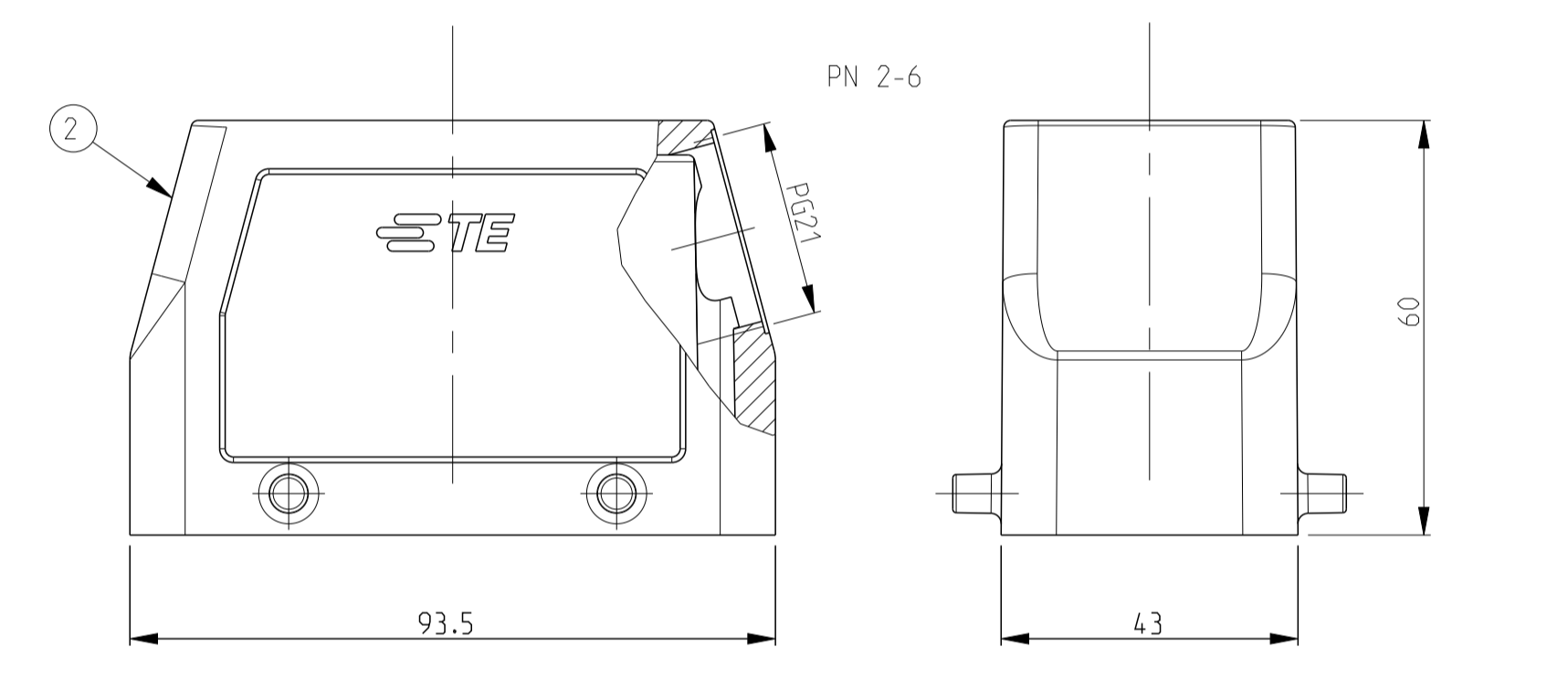
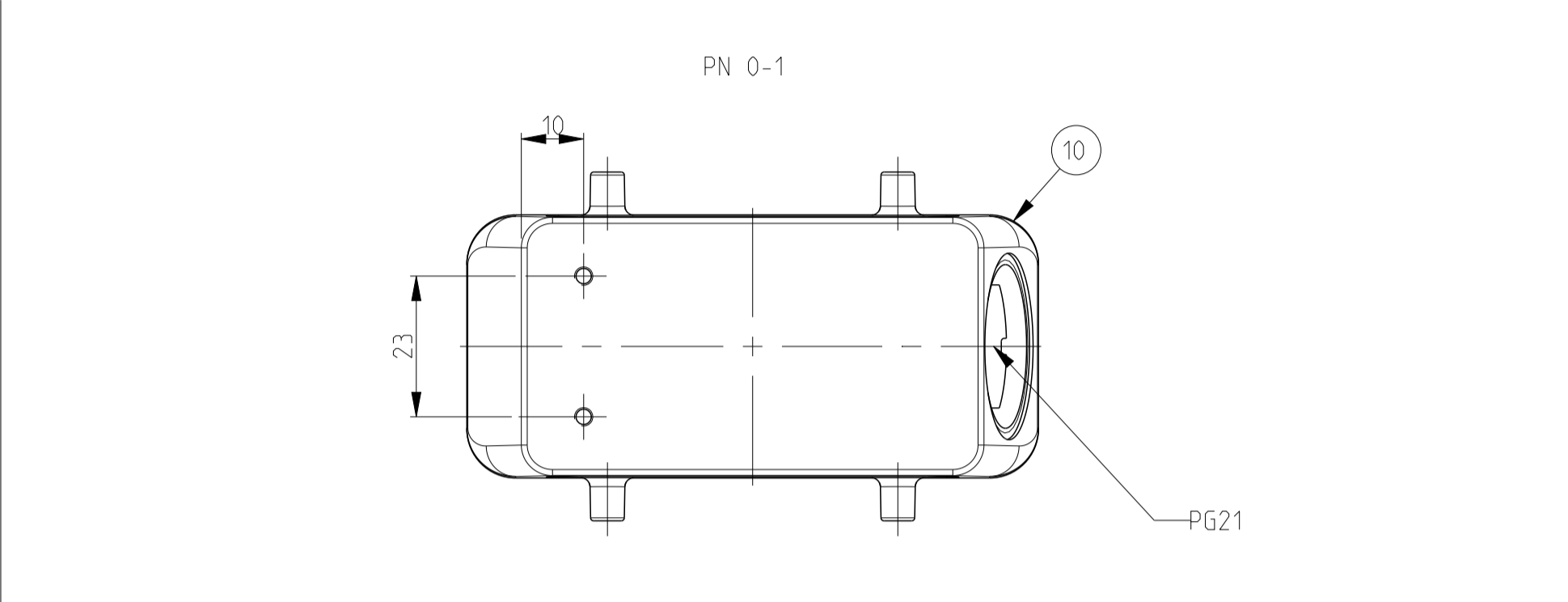
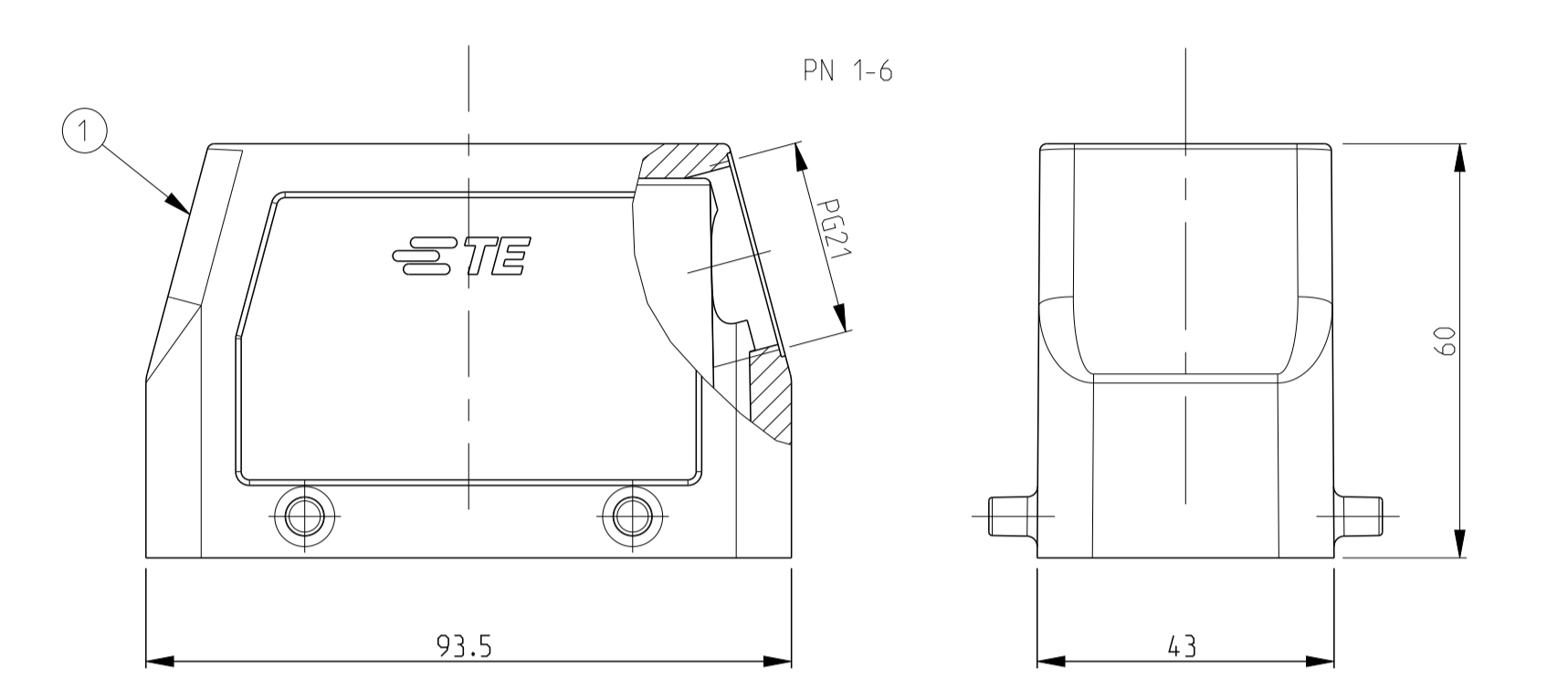
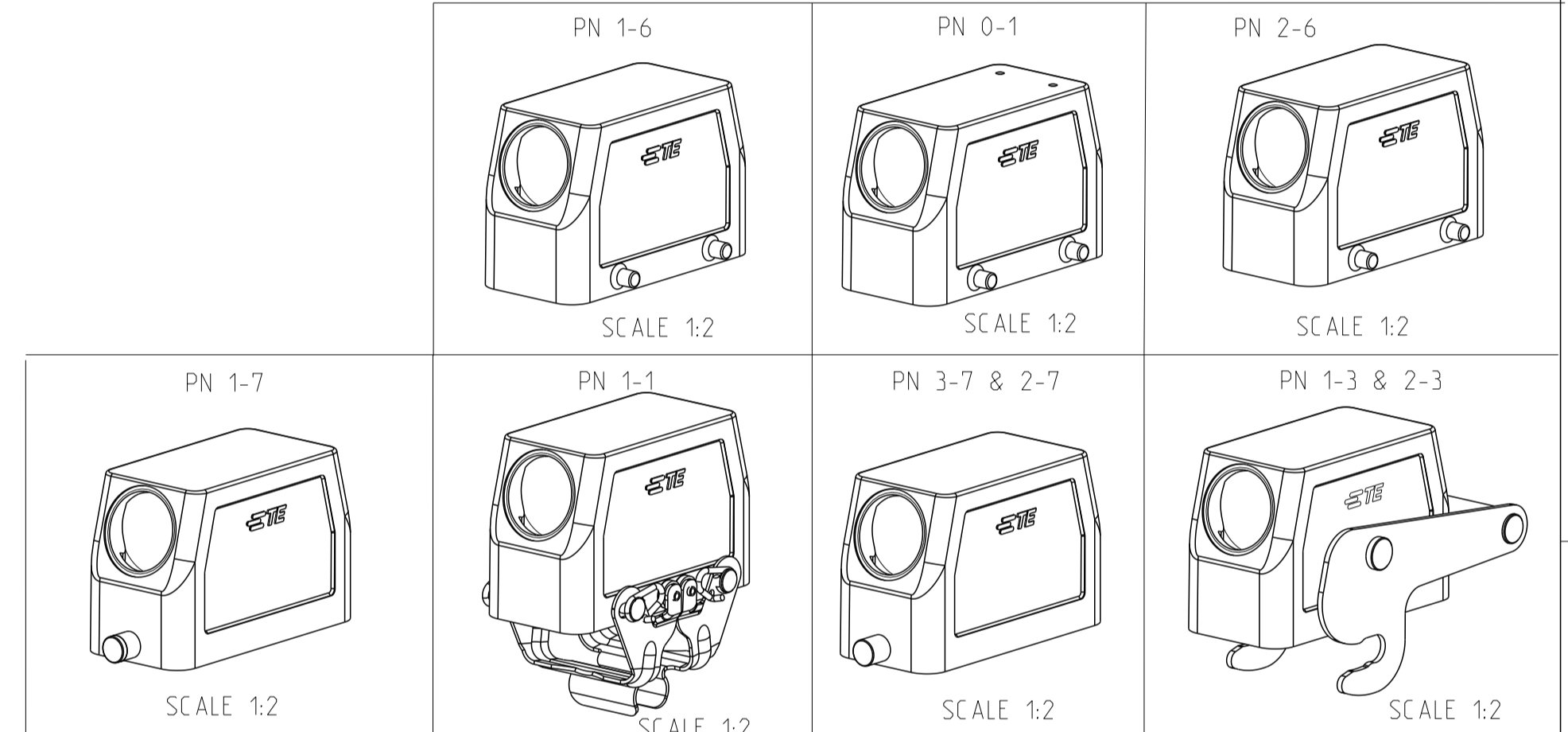


REVISIONS				
P.	LTM	DESCRIPTION	DATE	APVD
A6		REVISED PER ECO-09-027197	16DEC2009	KK AEG
A7		ECR-17-013084	02APR2018	SG MKO
A8		ECR-21-123293	23FEB2022	RK JB



- NOTES
- Material: Housing: aluminium diecasting alloy
 - Surface: - Powder varnish grey
- Aluminium oxide+
- Varnish black
 - Varnish on the inside not necessary
 - Packaging
Packaging quantity 5 piece in a box
 - OBsolete parts: OBSOLETE CIS STREAMLINING PER D.RENAUD/D.SINISI



QTY	DESCRIPTION	MATERIAL	SURFACE	COLOR	ITEM NO	NOTES
10	Hood HB.16 Pg.1.21	Aluminium		Grey	10	2xM3 for nameplate
9	ZB-Locking Clip	Stainless steel		Blue	9	-
8	ZB-Locking Clip	Steel	Zinc plated	Blue	8	-
7	LB-Clip bolt	Stainless steel		Blue	7	-
6	LB-Clip bolt	Steel	Zinc plated	Blue	6	Special
5	VS-Locking clip	Steel	Zinc plated	Blue	5	-
4	VS-Clip bolt	Stainless steel		Blue	4	-
3	Hood HB.16 Pg.1.21	Aluminium		No varnish	3	-
2	Hood HB.16 Pg.1.21	Aluminium	Aluminium oxide	Black	2	Special
1	Hood HB.16 Pg.1.21	Aluminium		Grey	1	-

THIS DRAWING IS A CONTROLLED DOCUMENT.

DIMENSIONS: mm
 TOLERANCES UNLESS OTHERWISE SPECIFIED:
 0-10 mm: ±0.15
 10-30 mm: ±0.2
 30-100 mm: ±0.3
 100-300 mm: ±0.4
 300-1000 mm: ±0.5
 ANGLES: ±0.5°

DWG: Schneider 31.03.1999
 CHK: Schneider 31.03.1999
 APVD: Schneider

NAME: Hood HB.16.STS.1.21.G
 PRODUCT SPEC: 108-74001
 108-74003
 APPLICATION SPEC: 114-74001
 114-74004

WEIGHT: A | 00779
 SCALE: 1:1
 SHEET: 1 OF 1
 REV: A8

CUSTOMER DRAWING
 SCALE: 1:1
 SHEET: 1 OF 1
 REV: A8