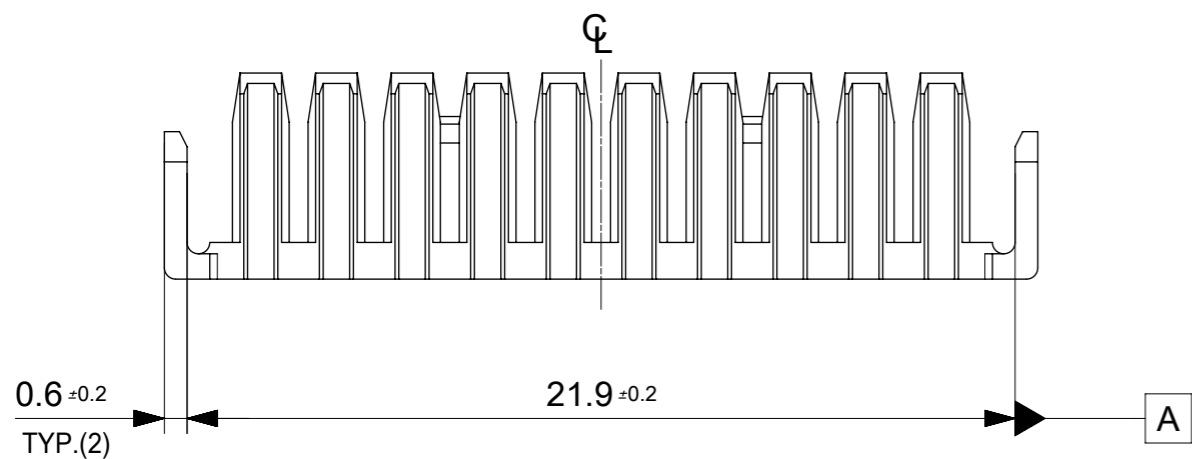
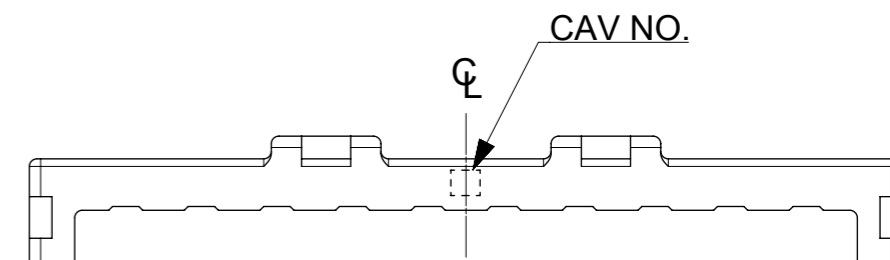
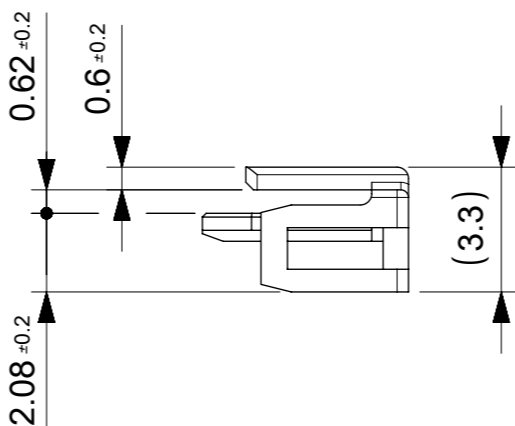
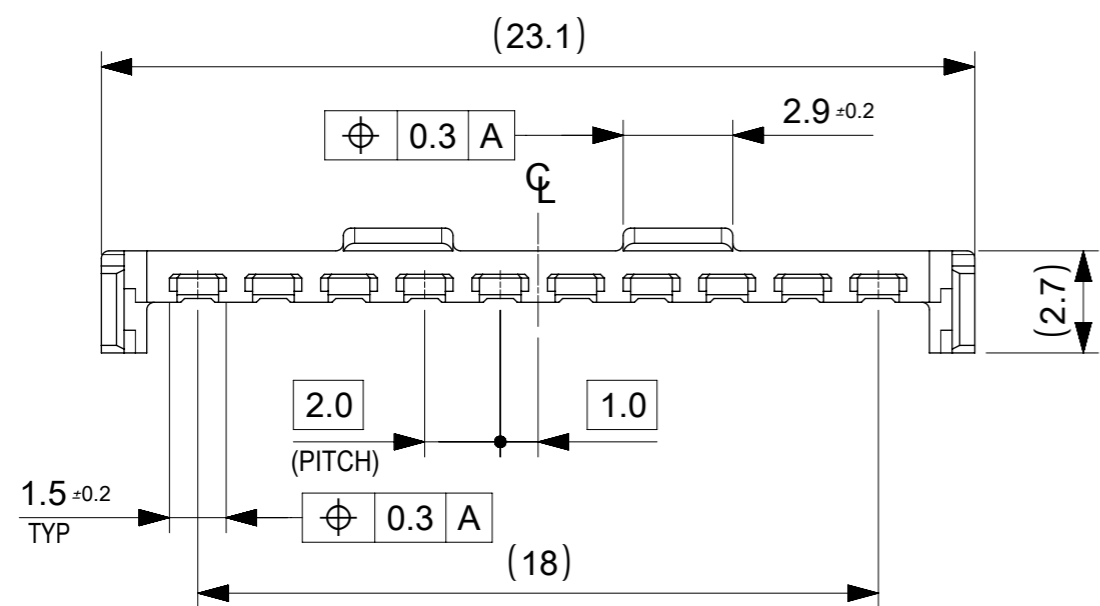
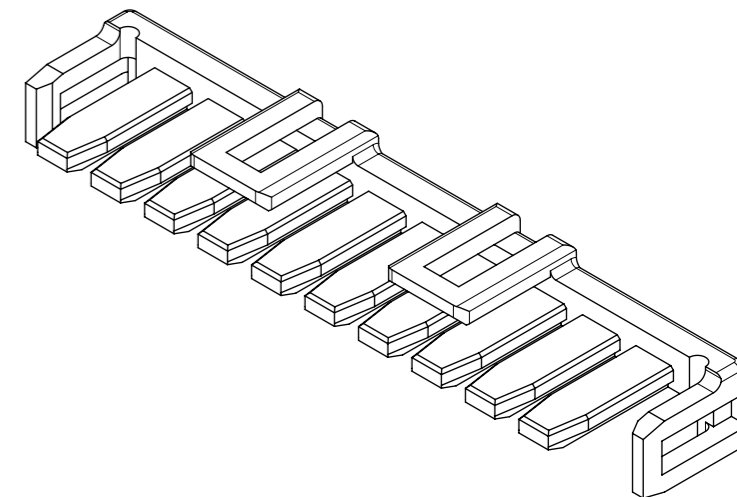


- NOTE
- 1.適合ハウジング : 2014932100, 2014942100
APPLICABLE HSG:2014932100, 2014942100
 - 2.ELV及びRoHS適合品
ELV AND RoHS COMPLIANT
 - 3.材料/MATERIALS
ポリエステル (PBT) ,UL94V-0,黒
POLYESTER(PBT),UL94V-0,BLACK
 - 4.製品仕様書 : 2014932100PS000
PRODUCT SPECIFICATION:2014932100PS000



2014952100
ORDER NO.

THIS DRAWING CONTAINS INFORMATION THAT IS PROPRIETARY TO MOLEX ELECTRONIC TECHNOLOGIES, LLC AND SHOULD NOT BE USED WITHOUT WRITTEN PERMISSION

EC NO: 107295 DRWN: TNAKATA CHK'D: THANYU APPR: YNOGAWA	2016/04/08 2016/08/08 2016/08/09	GENERAL TOLERANCES (UNLESS SPECIFIED) ANGULAR TOL ± 3.0 °	DIMENSION UNITS: MM SCALE: 5:1			
	4 PLACES ± 0.03 3 PLACES ± 0.03 2 PLACES ± 0.05 1 PLACE ± 0.1 0 PLACES ± 0.2	DRWN BY: TNAKATA DATE: 2016/04/08	DRWN BY: THANYU DATE: 2016/08/08			
	DRAFT WHERE APPLICABLE MUST REMAIN WITHIN DIMENSIONS	APPR BY: YNOGAWA DATE: 2016/08/09	DRAWING SIZE: A3 THIRD ANGLE PROJECTION	PRODUCT CUSTOMER DRAWING		