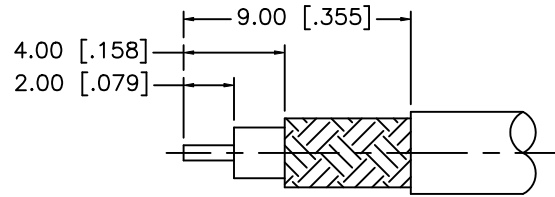
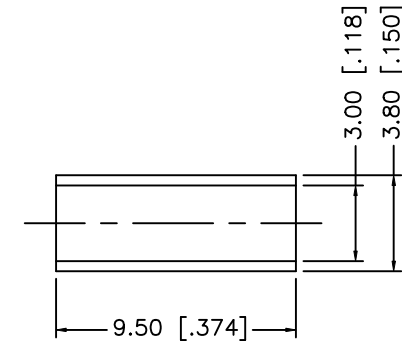
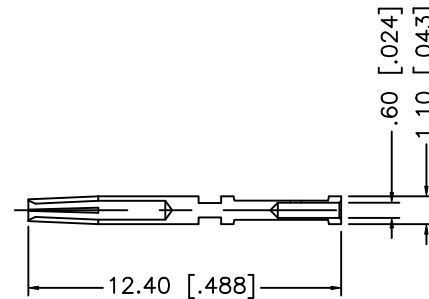
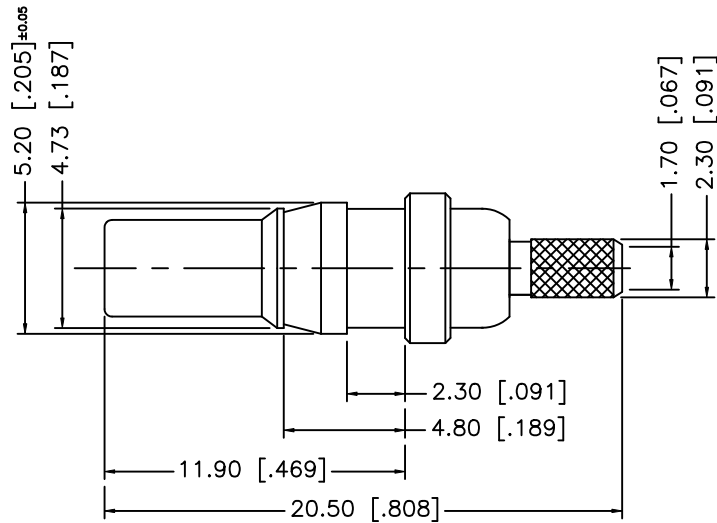


REV.	DATE	DESCRIPTION
NC	09/22/03	INITIAL RELEASE
A	03/18/08	REVISE BODY PLATING TO GOLD



RECOMMENDED CABLE STRIPPING DIM'S



NOTE:

1. CRIMPED FERRULE HEX CRIMP SIZE .128"
2. CONTACT PIN TO SOLDER

DESCRIPTION	MATERIAL	FINISH	QTY	DO NOT SCALE DRAWING	APPROVALS	DATE	Amphenol Connex							
8				UNLESS OTHERWISE SPECIFIED DIMENSIONS ARE IN MILLIMETERS. DIMENSIONS IN [ ] ARE IN INCHES AND FOR CUSTOMER REFERENCE ONLY.	DRAWN	G.R.S.	03/18/08	PART DESCRIPTION 1.0/2.3 CRIMP JACK (FOR RG-179/U, 187A/U)						
7					CHECKED									
6	FERRULE	COPPER	NICKEL	1	ISSUED			PART NO. 282104-75						
5	CONTACT PIN	BER. COPPER	GOLD	1	SHEET	1 OF 1								
4	BARREL	BRASS	NICKEL	1	CAD FILE	C:/282/282104-75.DWG	DWG. NO.	282104-75.DWG	REV.	A	SIZE	A	SCALE	NA
3	INSULATOR	TEFLON	NATURAL	1	UNLESS OTHERWISE SPECIFIED TOLERANCES FOR MILLIMETERS ARE: 0.5 - 8mm ± 0.20mm 8 - 30mm ± 0.40mm 30 - 120mm ± 0.50mm UNLESS OTHERWISE SPECIFIED TOLERANCES FOR INCHES ARE: .020 - .315 = ± 0.007" .315 - 1.180 = ± 0.015" 1.180 - 4.724 = ± 0.020"									
2	RETAINER RING	BER. COPPER	NICKEL	1	UNLESS OTHERWISE SPECIFIED DIMENSIONS ARE IN MILLIMETERS. DIMENSIONS IN [ ] ARE IN INCHES AND FOR CUSTOMER REFERENCE ONLY.									
1	BODY	BRASS	GOLD	1	UNLESS OTHERWISE SPECIFIED DIMENSIONS ARE IN MILLIMETERS. DIMENSIONS IN [ ] ARE IN INCHES AND FOR CUSTOMER REFERENCE ONLY.									