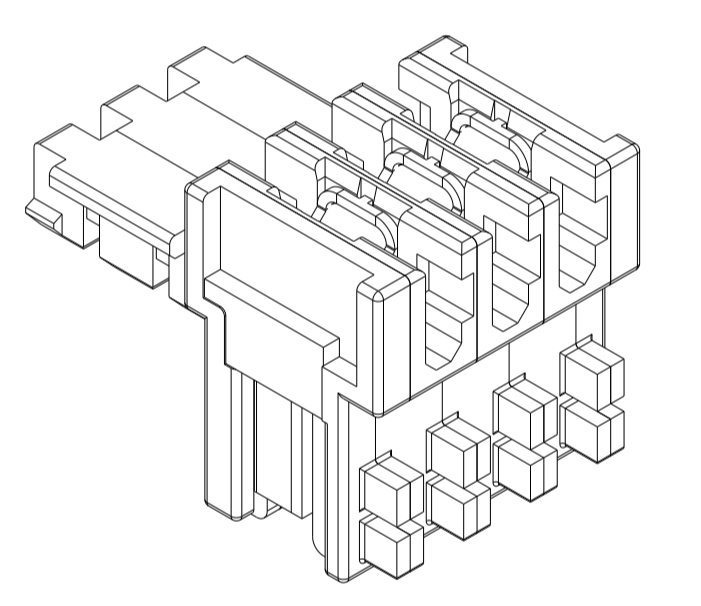
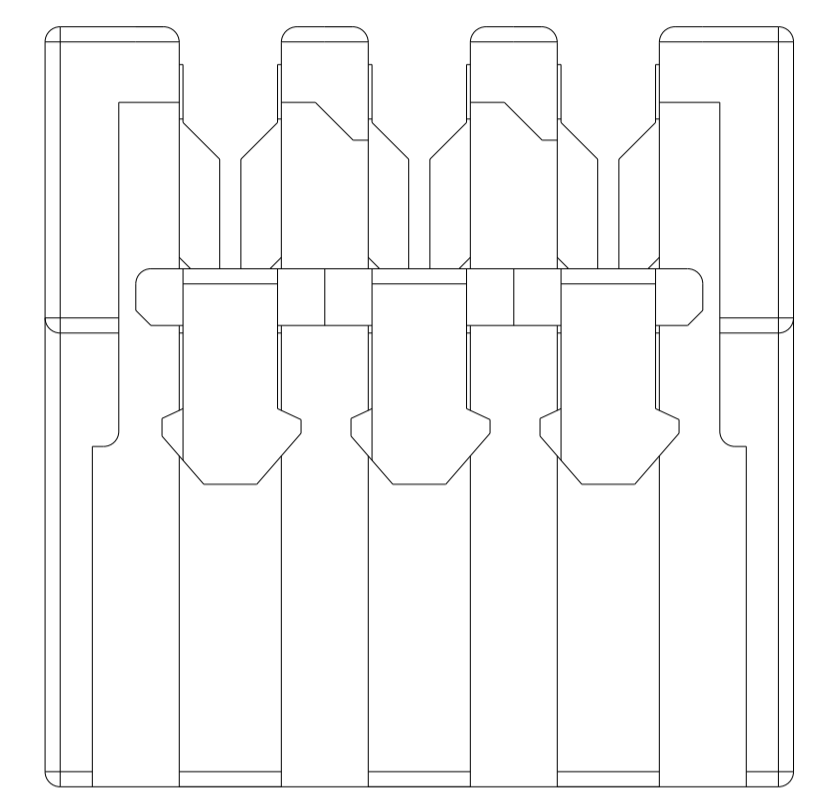
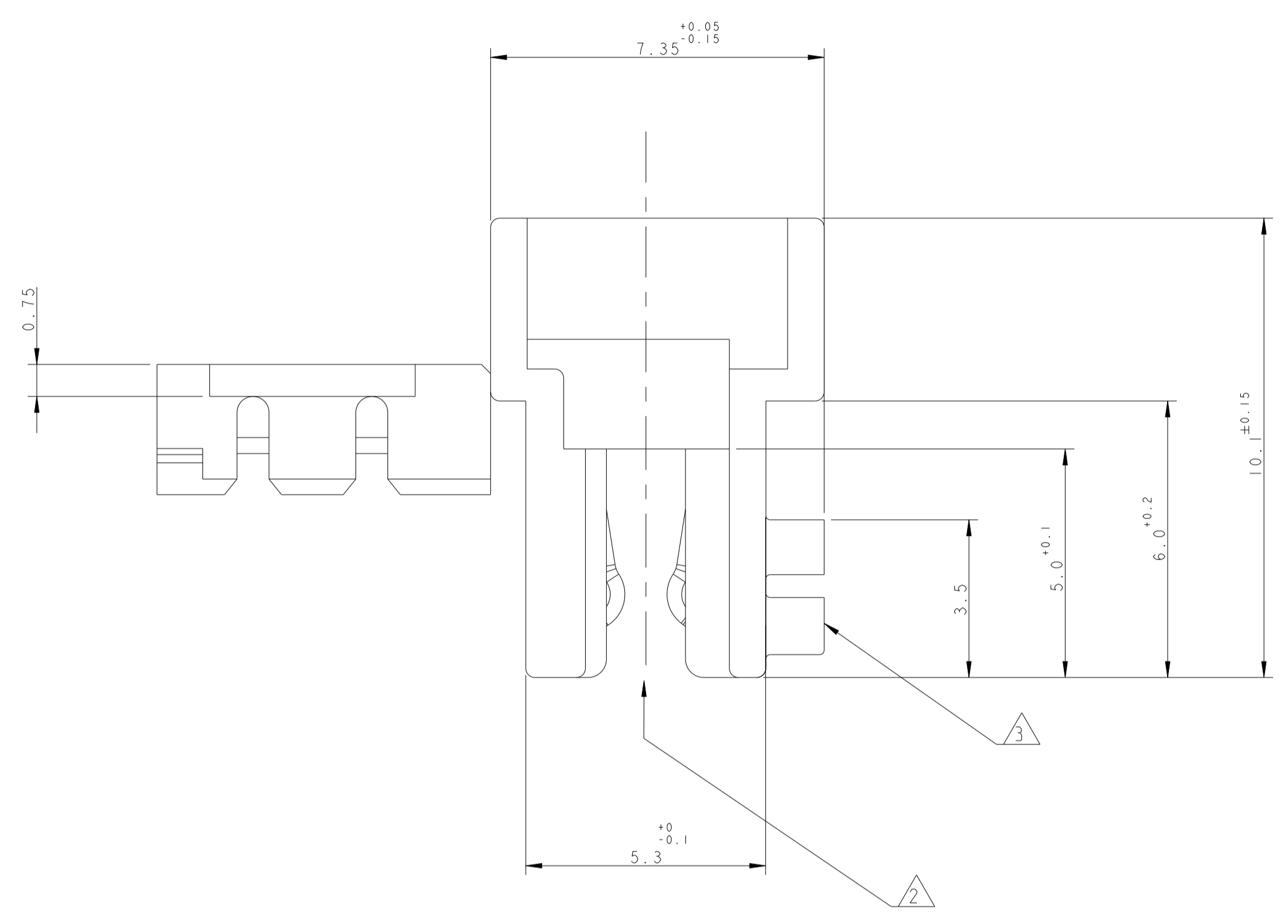
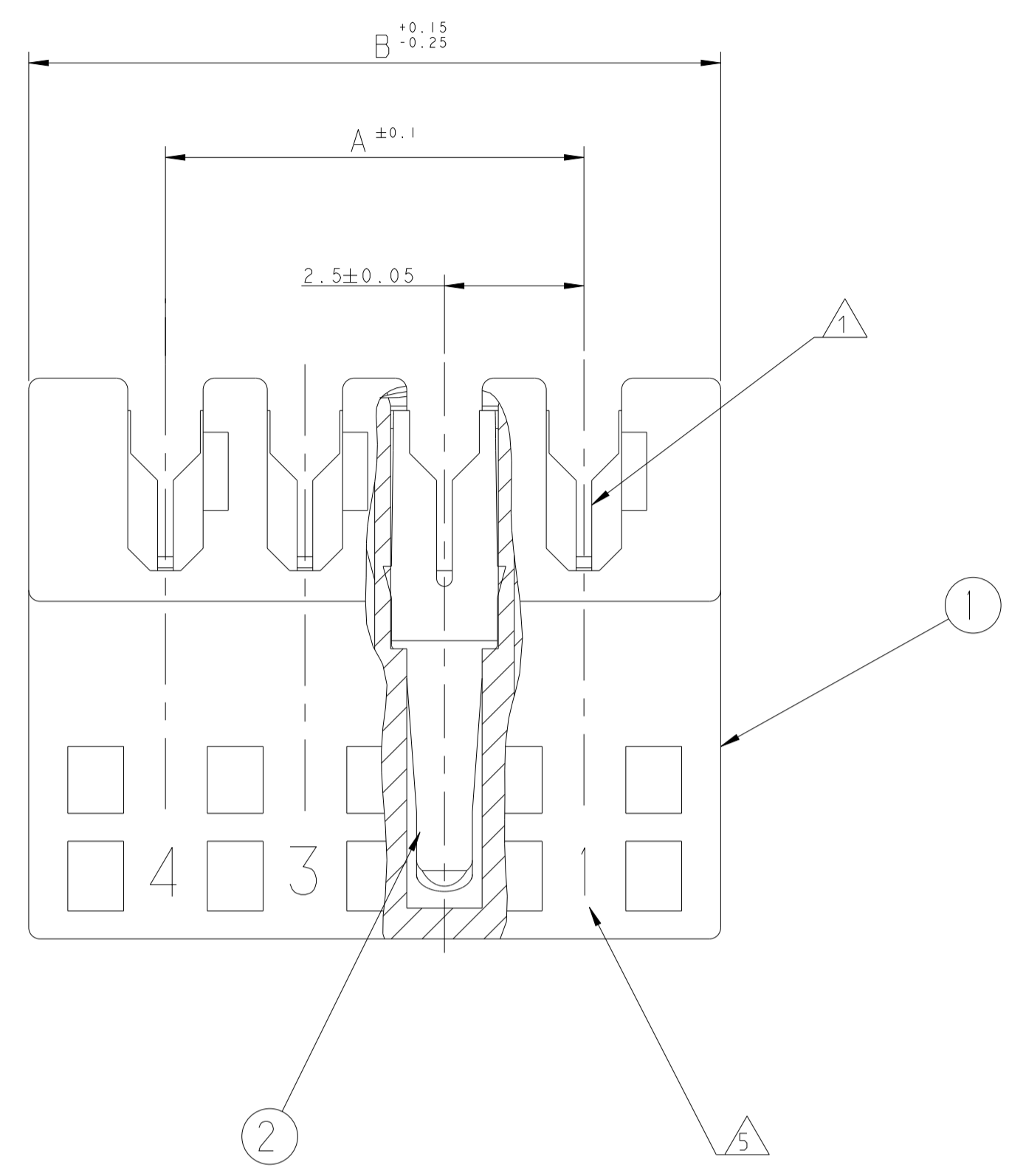
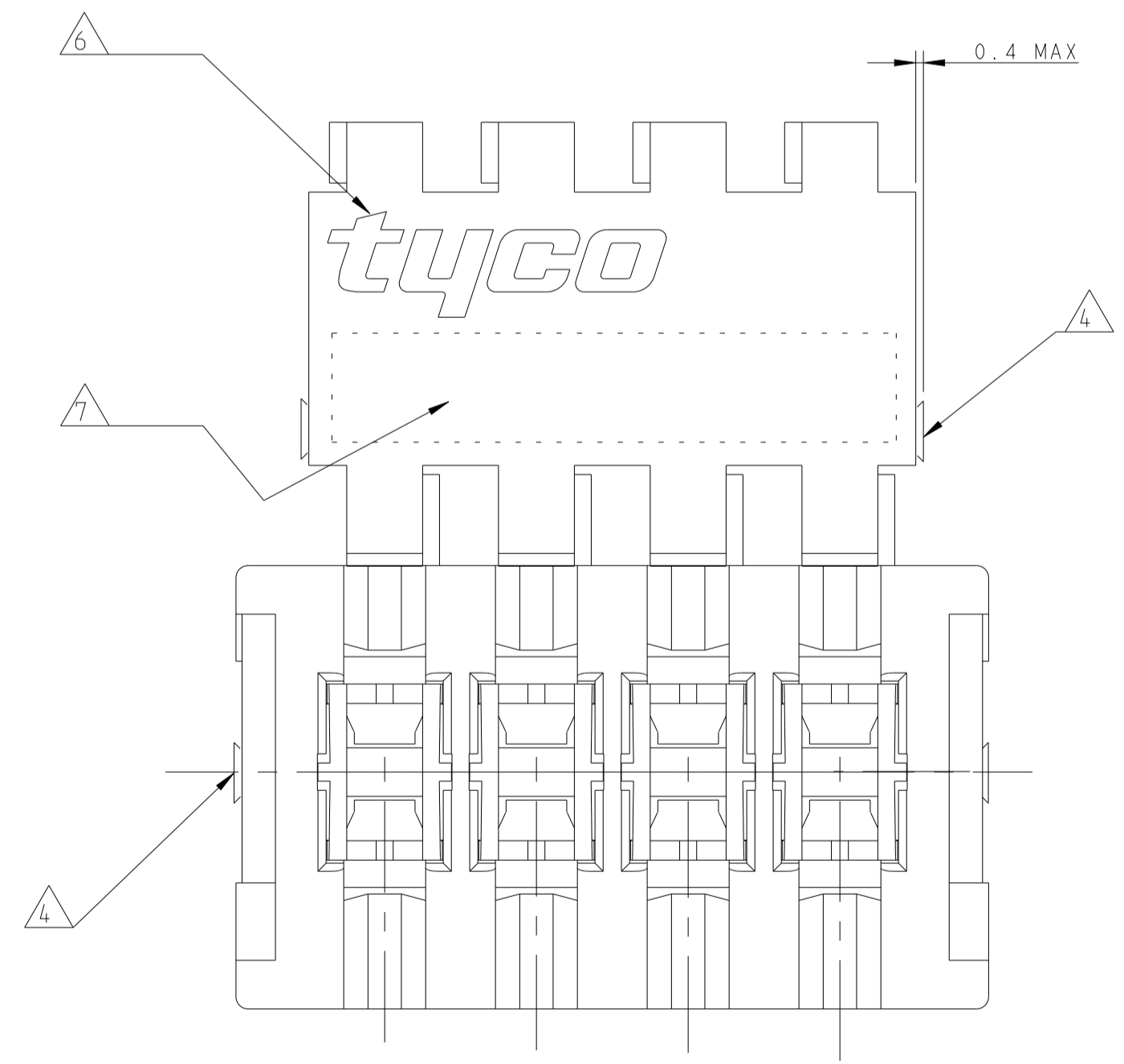


REVISONS		DATE	OWN	APVD
C1	ECR-22-126910	21JAN2022	DC	FL
C2	ECR-22-128794	10FEB2022	DC	FL
C3	ECR-22-134224	04APR2022	DC	FL



P/N 0-284930-3 AS SHOWN



- ① WIRE RANGE : STRANDED 0.22-0.35 mm² (INS. DIA. 1.30±0.1)
- ② MATING PART: TAB HEADER P/Ns 1971817, 1971818 AND EQUIVALENT; PCB FRAME P/N 964575 (PCB THK 1.5±0.14 COPPER CLADDING INCLUDED) SEE PRODUCT SPEC. 108-18056 FOR FRAME APPLICATION
- ③ KEYING RIBS TO BE REMOVED BY TERMINATION MACHINE
- ④ CUT OFF DIMENSION DUE TO PRODUCTION PROCESS
- ⑤ CIRCUIT No. IDENTIFICATION
- ⑥ TYCO ELECTRONICS TRADEMARK (OPTIONAL POSITION)
- ⑦ TAMOGRAPHIC COLOUR CODE AREA (P/Ns IDENTIFICATION BEFORE CRIMPING)
- ⑧ OBSOLETE PARTS: OBSOLETE CIS STREAMLINING PER D.RENAUD/D.SINISI
- ⑨ PBT GF
- ⑩ PA GF, UL94-V0 & GWPT 750°C NO FLAME, NATURAL
- ⑪ PRELIMINARY PN NOT FOR PRODUCTION
- ⑫ ALTERNATIVE RESIN PBT GF
- ⑬ PART RELEASED WITH PARTIAL VALIDATION AND PENDING AGENCY APPROVALS

COLOUR CODE	HSG POS	DIM.A	DIM.B	TE P/N	TE P/N	TE P/N		
OBSOLETE	NATURAL	13	30.0	34.9	5x	1-284930-3	-	1-2402726-3
-	-	11	25.0	29.9	6x	1-284930-1	2311501-1	1-2402726-1
OBSOLETE	NATURAL	10	22.5	27.4	6x	1-284930-0	-	1-2402726-0
-	NATURAL	9	20.0	24.9	7x	284930-9	-	2402726-9
OBSOLETE	NATURAL	8	17.5	22.4	8x	0-284930-8	-	2-2402726-8
-	-	8	17.5	22.4	8x	0-284930-8	2311500-8	2402726-8
-	-	7	15.0	19.9	8x	0-284930-7	2311500-7	2402726-7
-	BLUE	6	12.5	17.4	10x	2-284930-6	1-2311500-6	2-2402726-6
-	-	6	12.5	17.4	10x	0-284930-6	2311500-6	2402726-6
OBSOLETE	NATURAL	5	10.0	14.9	11x	2-284930-5	-	2-2402726-5
-	-	5	10.0	14.9	11x	0-284930-5	2311500-5	2402726-5
OBSOLETE	NATURAL	4	7.5	12.4	13x	3-284930-4	-	3-2402726-4
-	RED	4	7.5	12.4	13x	2-284930-4	1-2311500-4	2-2402726-4
-	-	4	7.5	12.4	13x	0-284930-4	2311500-4	2402726-4
OBSOLETE	NATURAL	3	5.0	9.9	16x	5-284930-3	-	5-2402726-3
OBSOLETE	BLUE	3	5.0	9.9	16x	4-284930-3	-	4-2402726-3
OBSOLETE	BROWN	3	5.0	9.9	16x	3-284930-3	-	3-2402726-3
-	GREEN	3	5.0	9.9	16x	2-284930-3	2-2311500-3	2-2402726-3
-	-	3	5.0	9.9	16x	0-284930-3	1-2311500-3	2402726-3

SEE TABLE	PH. BRONZE, TIN PLATED	IDC RECEPTACLE CONTACT	2	DIMENSIONS: mm	TOLERANCES UNLESS OTHERWISE SPECIFIED: 0 PLC ±0.2 1 PLC ±0.2 2 PLC ±0.2 3 PLC ±0.2 4 PLC ±0.2 ANGLES ±1° FINISH	THIS DRAWING IS A CONTROLLED DOCUMENT.	OWN: R. FABRIS 27FEB2004	TE Connectivity DUOPLUG 2.5 FEMALE CONNECTOR STANDARD VERSION (FULLY LOADED)
SEE TABLE	PBT GLASS FIBER FILLED	FEMALE HOUSING	1			APVD: G. TURCO 27FEB2004	NAME: 108-18056	
Q.TY	MATERIAL	DESCRIPTION	ITEM	MATERIAL: SEE TABLE		APPLICATION SPEC: 114-18049-1	WEIGHT: -	SIZE: A100779
REVISIONE DELL'ASSEMBLATO (REVISION OF EACH ASSY NO)				ELENCO DEI COMPONENTI (PARTS LIST)		CAGE CODE: -	DRAWING NO: -	SCALE: 5:1
0.24 PER ASSEMBLATO (0.01 PER ASSY)						CUSTOMER DRAWING	SCALE: 5:1	SHEET 1 OF 1 REV C3