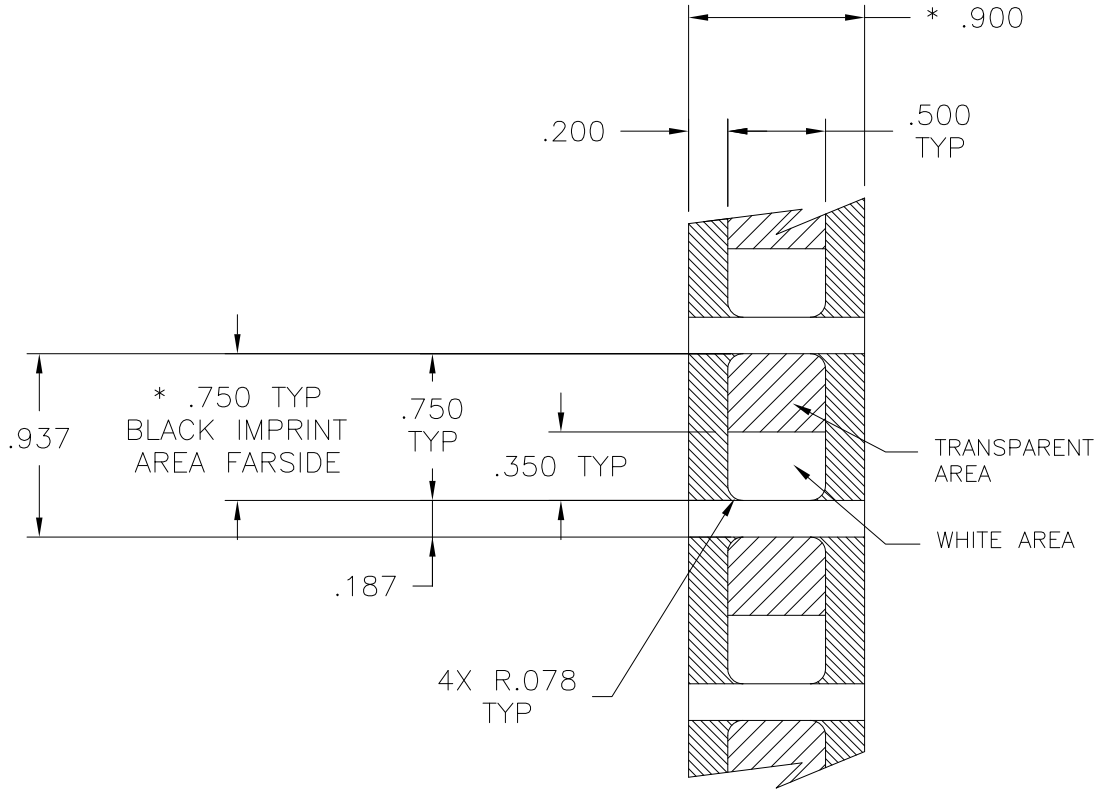


name	date	city, state

NOTES

\* DIMENSIONS FOR FAR SIDE OF RELEASE LINER



1,000 WHITE/TRANSPARENT LABELS PER ROLL  
1 ACROSS

REVISION	DR level	$\triangle 01$
	AW date	08/09/13
	by	AAC
	ECN#	012427
part level		-

DIMENSIONS	.XXXX=±.0005
	.XXX=±.005
	.XX=±.01
	.X=±.03
	$\angle = \pm 0.5^\circ$
unless otherwise specified	
units inches	

PART	number	TAG26T1-100B	phase	PRODUCTION
	name			
	TAG26T1-100B THERMAL TRANSFER SELF-LAMINATING LABEL			
	material	100 SELF-LAMINATING VINYL		

DRAWING	FORMAT	AV	version	M	CAD	ACAD	scale	1X
	computer file number		previous number					
	LA\DTL\3002162_01							
	drawn	A.A.C.	checked	K.A.C.	approved			
	08/09/13		08/09/13					
type	DETAIL			sheet 1 of 1				
number	LA3002162DTL							