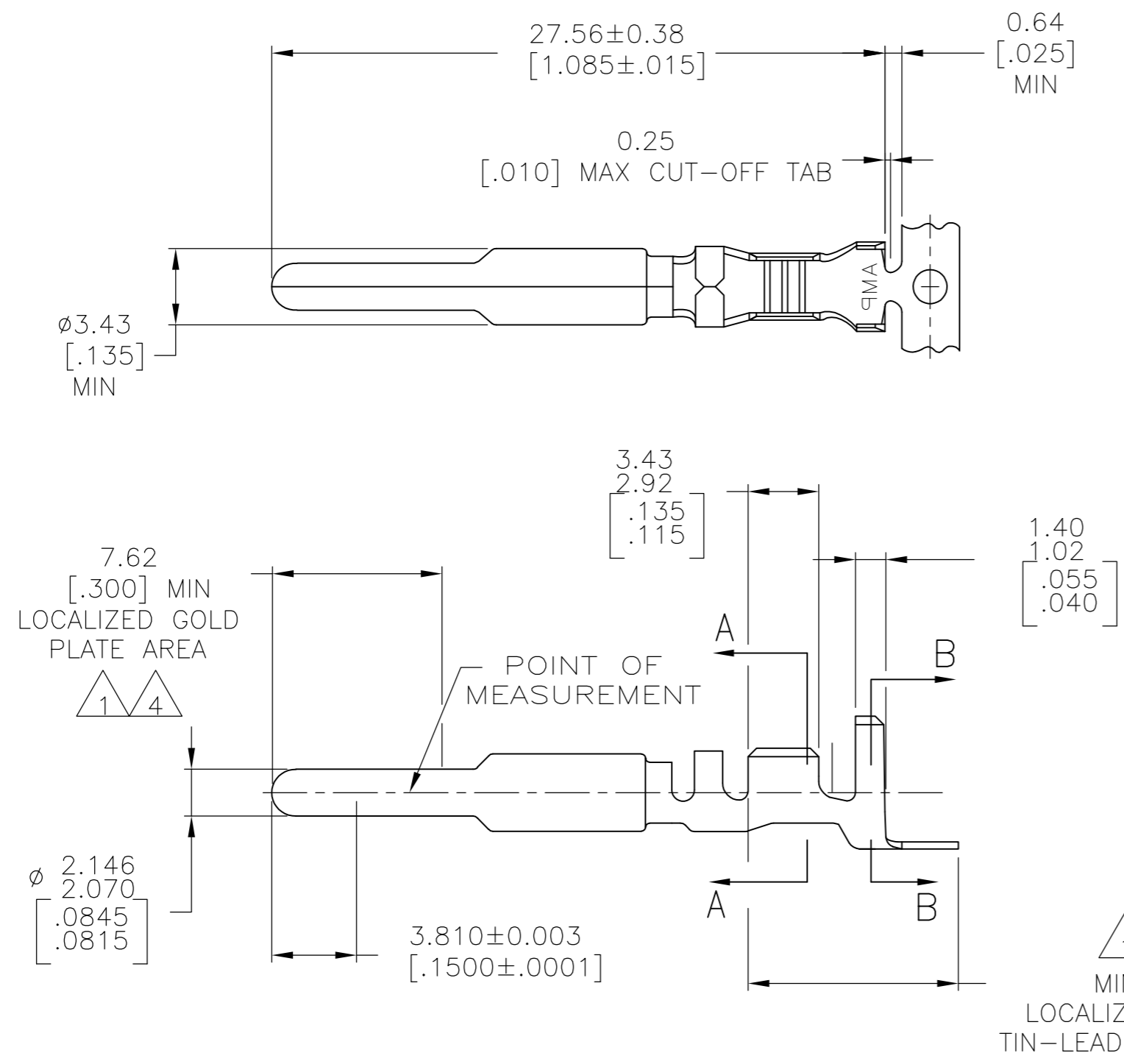
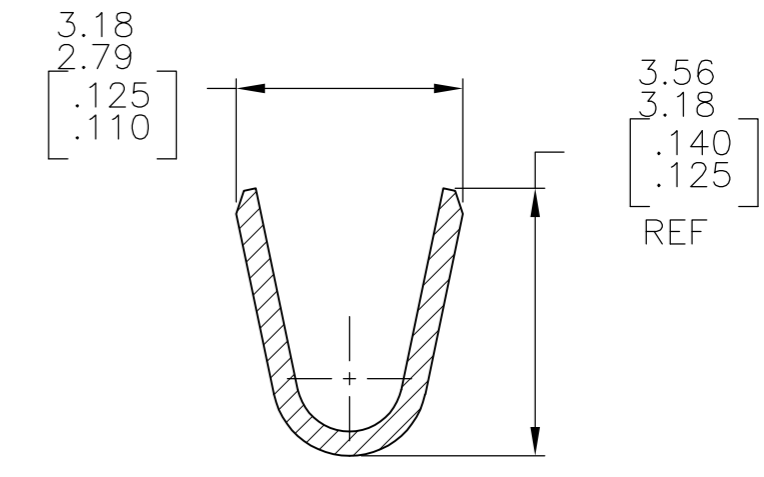
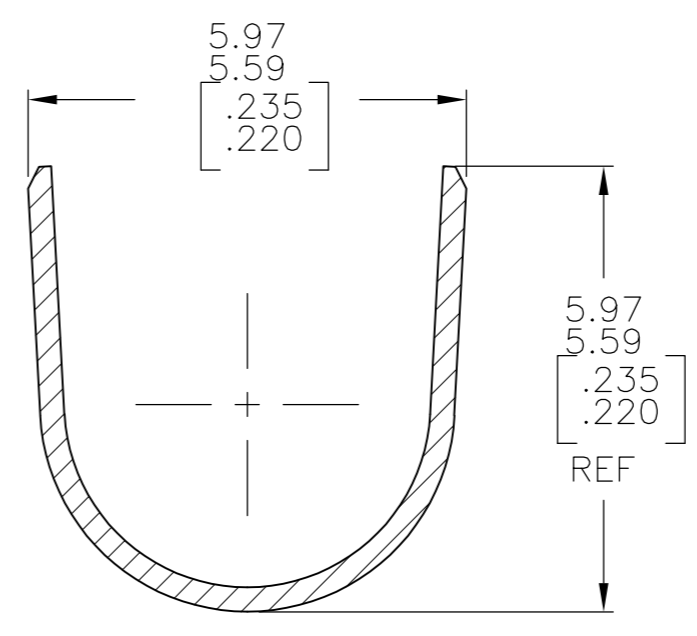


THIS DRAWING IS UNPUBLISHED. RELEASED FOR PUBLICATION
 © COPYRIGHT - By - ALL RIGHTS RESERVED.

LOC		DIST		REVISIONS			
P	LTR	DESCRIPTION		DATE	DWN	APVD	
CM	0	K	REVISED PER ECR-13-008204	11DEC2013	KH	TM	



- 1 0.00076[.000030] MIN GOLD AT POINT OF MEASUREMENT IN THE LOCALIZED GOLD PLATE AREA, 0.00127[.000050] MIN TIN-LEAD IN THE TIN-LEAD PLATE AREA, 0.00127[.000050] MIN NICKEL UNDERPLATE ON ENTIRE CONTACT.
- 2 WIRE RANGE: 0.5-2mm² [20-14] AWG. INSULATION RANGE: 3.30-5.08[.130-.200] DIA.
- 3 DIMENSIONS IN BRACKETS ARE IN INCHES.
- 4 0.00076[.000030] MIN GOLD AT POINT OF MEASUREMENT IN THE LOCALIZED GOLD PLATE AREA, 0.00127[.000050] MIN TIN IN TIN PLATE AREA, 0.00127[.000050] MIN NICKEL UNDERPLATE ON ENTIRE CONTACT.
- 5 SUPERSEDED BY 1-770194-0



1 4
 MINIMUM LOCALIZED TIN OR TIN-LEAD PLATE AREA

FINISH	MATERIAL	PART NO
GOLD 4	0.30 [.012] BRASS	1-770194-0
GOLD 1	0.30 [.012] BRASS	770194-2
PRE-TIN	0.30 [.012] BRASS	770194-1

THIS DRAWING IS A CONTROLLED DOCUMENT.		DWN K. SALMON 22DEC92	TE TE Connectivity	
DIMENSIONS: mm [INCHES]		CHK R. SWING 22DEC92		
TOLERANCES UNLESS OTHERWISE SPECIFIED:		APVD M. TRULL 01APR93	NAME PIN, GROUNDING, UNIVERSAL MATE-N-LOK(TM) II	
0 PLC ± -		PRODUCT SPEC	SIZE	CAGE CODE
1 PLC ± -		APPLICATION SPEC	A2	00779
2 PLC ± -		WEIGHT	DRAWING NO C=770194	
3 PLC ± -		RESTRICTED TO	-	
4 PLC ± -		CUSTOMER DRAWING	SCALE	SHEET
ANGLES ± -		SEE TABLE	4:1	1 of 1
FINISH		SEE TABLE	REV	K