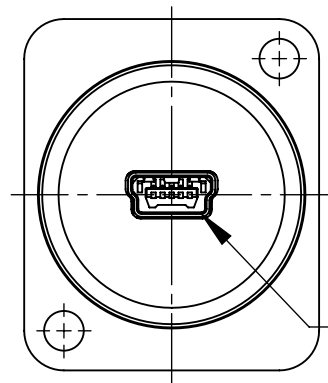
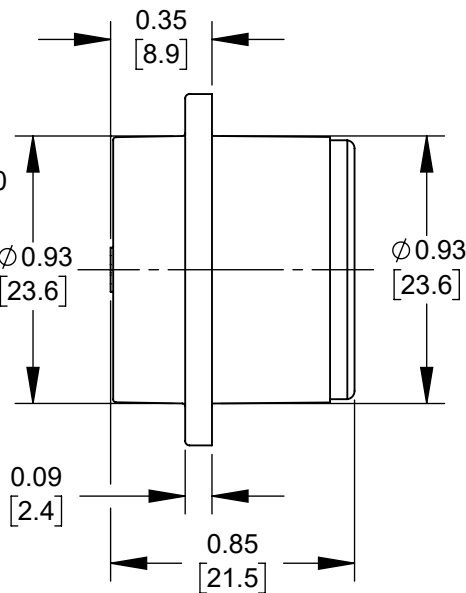
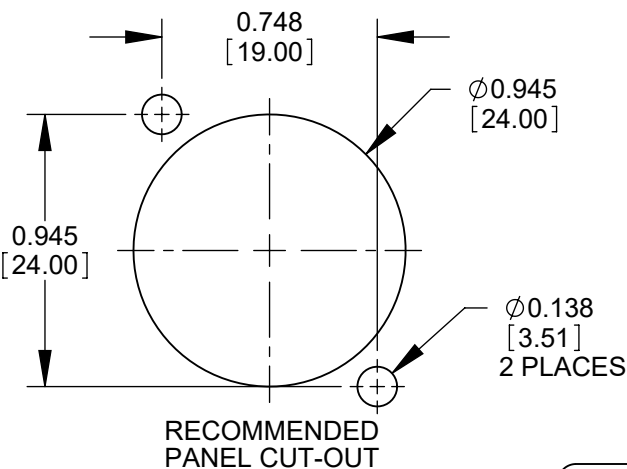
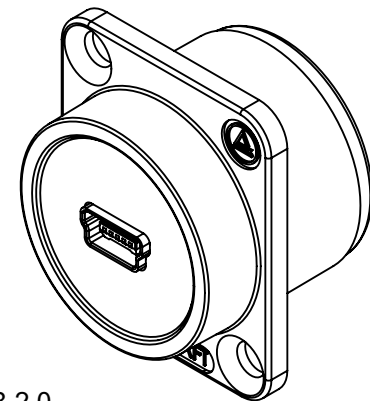


MINI USB 2.0
SEE NOTE 1



MINI USB 2.0
SEE NOTE 1



NOTES:

1. RECEPTACLE IS USB 2.0 MINI TYPE "B".
2. MATERIALS:
 USB 2.0 MINI -
 INSULATOR - THERMOPLASTIC, BLACK
 SHELL - COPPER ALLOY, NICKEL PLATED
 CONTACTS - COPPER ALLOY, GOLD PLATED
 PCB - FR4
 EH HOUSING - THERMOPLASTIC, BLACK
3. THIS PRODUCT IS RoHS COMPLIANT.

CUSTOMER DRAWING

| | | | | | | | | | |
|-----------|------------|----------|----|------|--|-------|-----------|-----------|--------|
| | | | | | THIS DRAWING DESCRIBES A DESIGN CONSIDERED PROPRIETARY IN NATURE, DEVELOPED AND MANUFACTURED BY SWITCHCRAFT INC. AND IS RELEASED ON A CONFIDENTIAL BASIS FOR IDENTIFICATION PURPOSES ONLY. | | | | |
| | | | | | SIZE | WIDTH | MULT | LBS/M | TEMPER |
| | | | | | FINISH | | | MATERIAL | |
| | | | | | SPEC No. | | | SPEC No. | |
| | | | | | FIRST USED ON | | SCALE 3:2 | | |
| A | 28098 | 10/30/18 | PC | TJK | DATE DRAWN | BY | CHKD | APVD | |
| REV | ECO NUMBER | DATE | BY | APVD | 8/22/18 | JGK | PC | TJK | |
| REVISIONS | | | | | DO NOT SCALE DRAWING | | | | |
| | | | | | NAME | | | PART No. | |
| | | | | | EH USB 2.0 MINI FEED-THRU, RoHS | | | EHUSBMNMN | |
| | | | | | SHEET 1 OF 1 | | | | |
| | | | | | REV A | | | | |

