

6

5

4

3

2

1

D

D

C

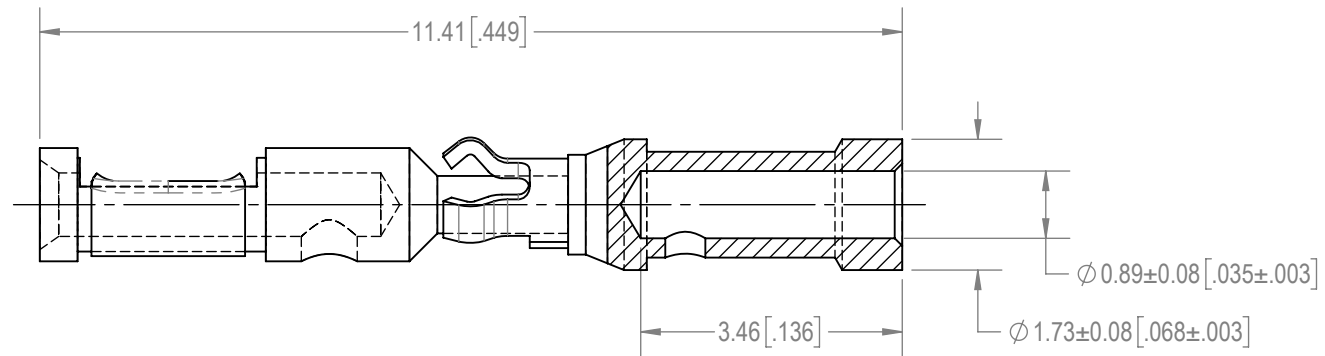
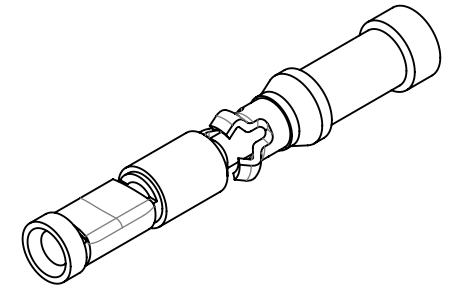
C

B

B

A

A

**NOTES:**

- MATERIALS AND FINISHES:
 CONTACT: PRECISION MACHINED COPPER ALLOY, 0.76 μ [.000030] GOLD OVER NICKEL PLATE.
 POSIBAND CLIP: BERYLLIUM COPPER, GOLD FLASH OVER NICKEL PLATE.
 RETENTION CLIP: BERYLLIUM COPPER, GOLD FLASH OVER NICKEL PLATE.
- DETAILED PRODUCT, MECHANICAL AND ELECTRICAL INFORMATION IS AVAILABLE IN THE LATEST SCORPION PRODUCT PUBLICATION AT CONNECTPOSITRONIC.COM.
- CONTACT IS COMPLIANT TO THE CURRENT RoHS DIRECTIVE.
- CRIMPING TOOL INFORMATION IS AVAILABLE AT WWW.CONNECTPOSITRONIC.COM/CRIMPTOOLCROSSLIST.

| | | | | |
|--|------------------------------|------------------------------|---|--|
| BY EB | CHK EB | 3RD ANGLE | POSITRONIC BELIEVES THE DATA ON THE DRAWING TO BE RELIABLE. THE USER EMPLOYS SUCH INFORMATION AT HIS OWN DISCRETION AND RISK. POSITRONIC ASSUMES NO RESPONSIBILITY FOR RESULTS OBTAINED OR DAMAGES INCURRED FROM USE OF SUCH INFORMATION IN WHOLE OR IN PART. | Positronic® CONNECTPOSITRONIC.COM |
| APR PA | RELEASED DATE: 2019-06-27 | SCALE NTS | | |
| TOLERANCES ±0.03mm [.001 INCHES] FOR MALE CONTACT MATING DIAMETERS ±0.08mm [.003 INCHES] FOR CONTACT TERMINATION DIAMETERS ±0.13mm [.005 INCHES] FOR ALL OTHER DIAMETERS ±0.38mm [.015 INCHES] FOR ALL OTHER DIMENSIONS ±5° FOR ALL ANGLES DIMENSION ARE IN MILLIMETERS [INCHES] | | PART NUMBER FC422P9/AA-14 | SERIES SP | |
| | | TITLE FC422P9/AA-14 | | |
| CREATED ON: 2019-06-24 | | SHEET SHEET 1 OF 1 | REV A | |

6

5

4

3

2

1