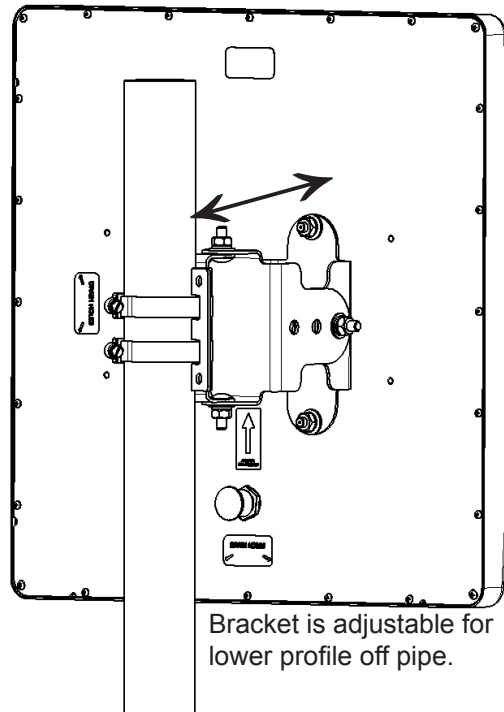


Step 6.

Adjust to the desired azimuth and elevation angles and tighten all pivot hardware. (4 places)



For Optional Extension Bracket, proceed to steps 7 - 9.

(Not included with all antennas.)

Extension Bracket Kit Contents:

- 2 - Extension Brackets
- 1 - 1/4 - 20 x 4-1/2 bolt
- 3 - 1/4 - 20 x 3-1/4 bolt
- 4 - 1/4" - 20 hex nut
- 4 - 1/4" - flat washer
- 4 - 1/4" - split lock washer
- 1 - 0.37" ID, 0.065" Wall, 3.47" L - tube spacer
- 3 - 0.37" ID, 0.065" Wall, 2.33" L - tube spacer

NOTE: There will be extra hardware from the P02370 when used with the extension bracket mount kit.

- 4 - 1/4" - 20 hex nut
- 4 - 1/4" - 20 spring lock washer
- 4 - 1/4" - 20 flat washer

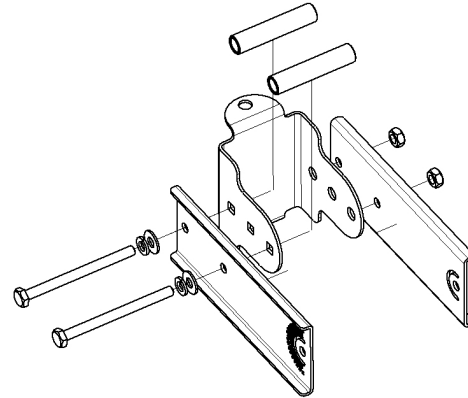
Additional Tools:

[Required for securing the hex head bolts.]
7/16" wrench

Step 7.

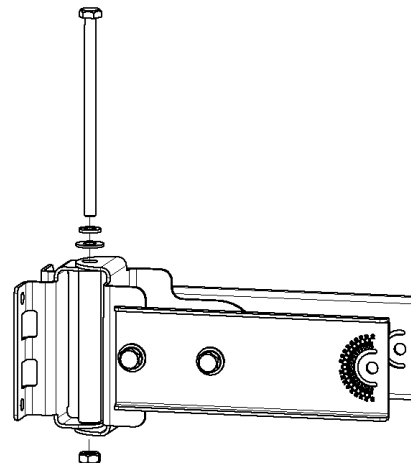
Remove the extension bracket from packaging.

Preassemble the extension bracket.



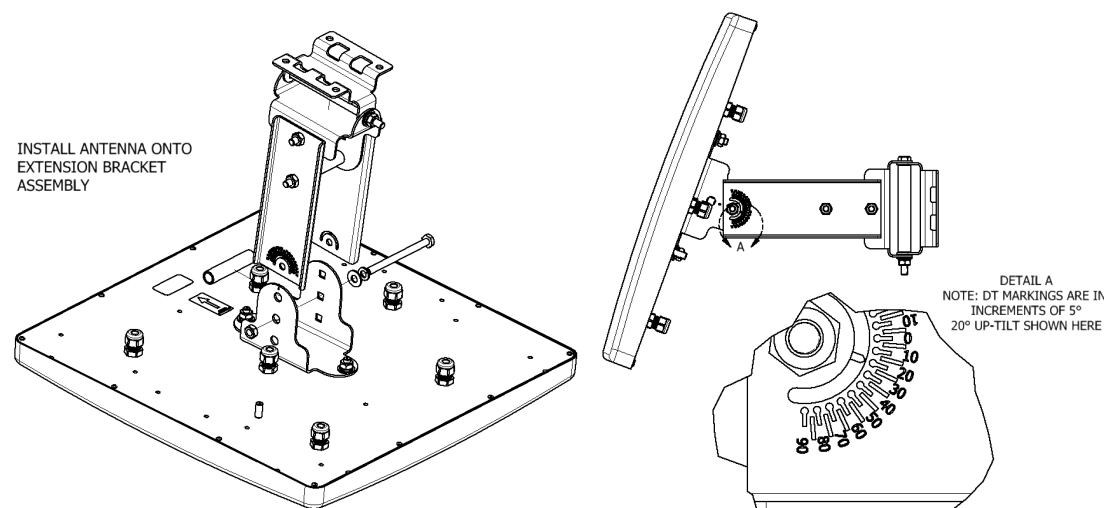
Step 8.

Preassemble the azimuth bracket.



Step 9.

Install antenna.



**471 Brighton Drive
Bloomington, IL 60108**



Flat Panel Antenna Series

MIS-FLAT-PANELS, Rev. C- 2017

INSTALLATION GUIDELINES FOR FLAT PANEL SERIES

IMPORTANT NOTICE:

The antenna should be handled with care.
Do not stand on or drop antenna.

Fits Pole sizes: 1.63" to 2.3" pipe O.D.

Antenna Contents:

Panel antenna with adjustable mount and hardware, including:

- 4 - 1/4" - 20 x 3/4 carriage bolt
- 6 - 1/4" - 20 hex nut
- 6 - 1/4" - 20 spring lock washer
- 6 - 1/4" - 20 flat washer
- 2 - pipe clamps

Tools:

[Required for attaching mount to antenna and securing to pole.]

7/16" wrench

8 mm nut driver or flat head screwdriver for hose clamps

Pipe Clamp Recommended Torque:

43-51 in-lbf (4.9-5.8 N-m)

Note:

Mount allows antenna to be vertically or horizontally polarized.

*Mount can be wall mounted. Hardware not included.

Step 1.

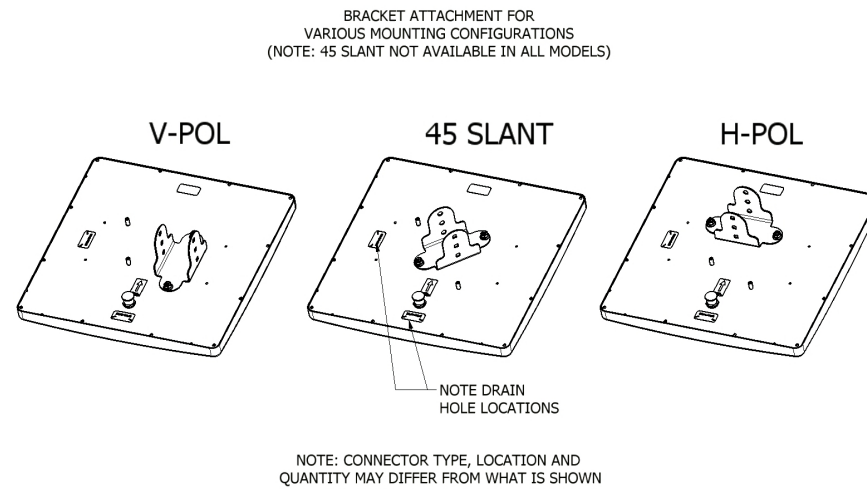
Remove antenna and mount kit from packaging.

Mount kit contents:

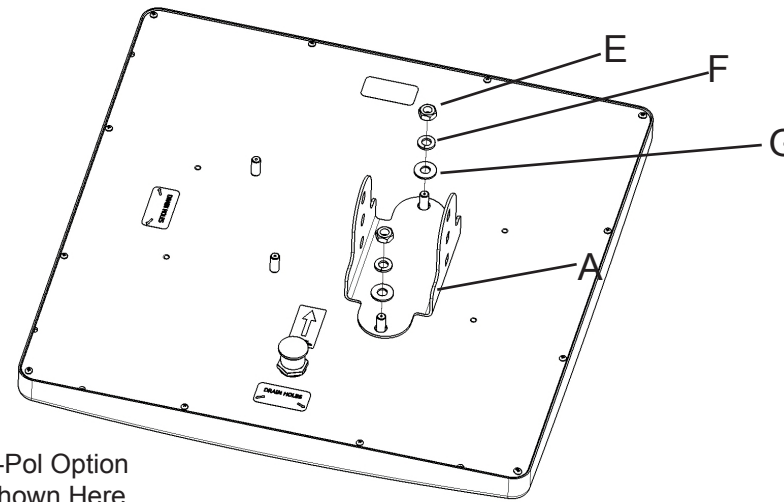
- (A) 1 - Antenna mount bracket
- (B) 1 - Elevation adjustable bracket
- (C) 1 - Azimuth adjustable bracket
- (D) 4 - 1/4" - 20x3/4 carriage bolt
- (E) 6 - 1/4" - 20 hex nut
- (F) 6 - 1/4" - 20 spring lock washer
- (G) 6 - 1/4" - 20 flat washer
- (H) 2 - pipe clamps

Step 2.

Determine mount configuration.

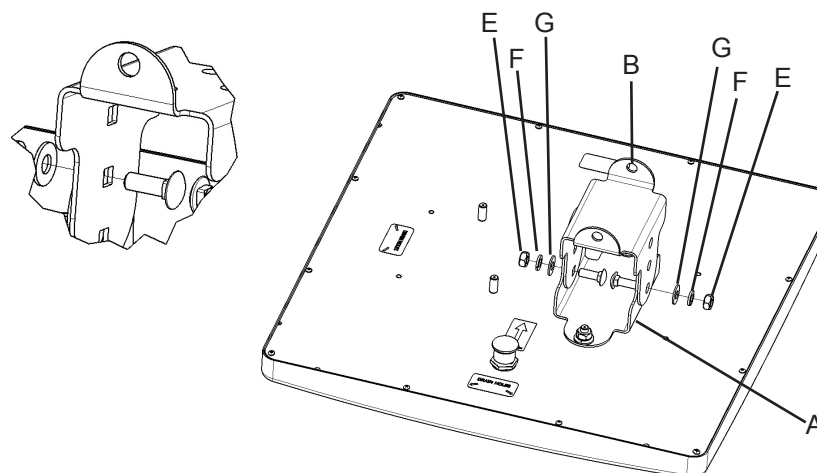


Attach antenna mount bracket (A) to the back of the antenna as shown applying a maximum nut-tightening torque of 55 in-lbf (6.2 Nm).



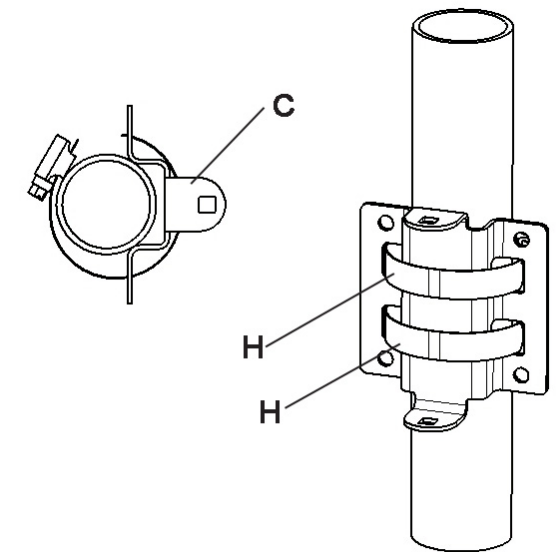
Step 3.

Attach elevation adjustable bracket (B) as shown and loosely secure hardware. The carriage bolt square holes must be on the inside.



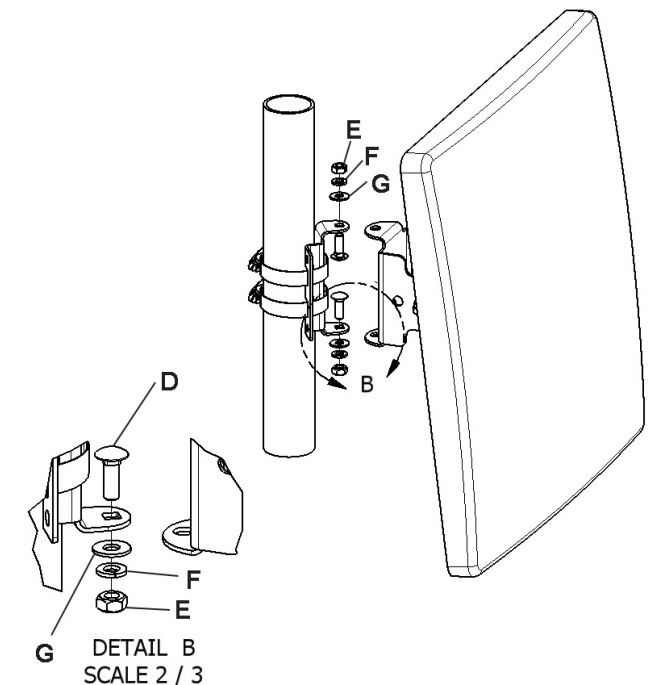
Step 4.

Attach azimuth adjustable bracket to pipe routing band clamps as shown. Maximum tightening torque.



Step 5.

Attach antenna assembly to azimuth bracket on pipe.





Warranty Information

GENERAL WARRANTY. PCTEL, Inc. ("PCTEL") warrants that the PCTEL antenna and/or Connected Solutions products furnished herewith (sometimes collectively referred to as "Products") shall be free from defects in material and workmanship under normal use and operation for the following periods of time commencing with the date of shipment by PCTEL:

Warranty Period	Description of Product
Lifetime to Original Purchaser	Connected Solutions Fiber Optic Cable Assembly products
10 Years	PCTEL Coaxial Surge product series PCTEL Data Line Surge products
5 Years	Bluewave Series antennas BMOY Series Yagi antennas BOA Series Omni antennas FP Panel Series antennas GPS Airborne Series antennas GPS-TMG Timing Series antennas GPS WAAS antennas MHO Series Omni antennas MLPV Series Omni antennas MPMI Omni antennas MPRC and MPRD Parabolic Reflector antennas PCTEL Bulk Cable products
2 Years	All other PCTEL antennas
1 Year or Pass-Through Warranty offered by applicable third-party manufacturer (whichever is greater)	Enclosure products Coaxial cable assembly products Any other Connected Solutions products

PCTEL's sole and exclusive obligation under the foregoing warranty shall be, at its option, to repair or replace any defective product that fails during the warranty period. The expense of removal and



reinstallation of any item is not included in this warranty. THE FOREGOING WARRANTY IS EXCLUSIVE AND IN LIEU OF ALL OTHER WARRANTIES, EXPRESS OR IMPLIED, INCLUDING THE IMPLIED WARRANTIES OF MERCHANTABILITY AND FITNESS FOR A PARTICULAR PURPOSE AND ANY WARRANTIES ARISING FROM A COURSE OF DEALING, USAGE OR TRADE PRACTICE WITH RESPECT TO THE PRODUCTS. Repair or replacement in the manner provided herein shall be the sole and exclusive remedy of the buyer for breach of warranty and shall constitute fulfillment of all liabilities of PCTEL with respect to the quality and performance of the product.

EXCEPTIONS. PCTEL DOES NOT WARRANT THAT THE OPERATION OF THE PRODUCTS IS ERROR-FREE OR THAT OPERATION WILL BE UNINTERRUPTED. IN NO EVENT SHALL PCTEL BE LIABLE FOR: (i) ANY SPECIAL, INCIDENTAL OR CONSEQUENTIAL DAMAGES TO THE BUYER OR ANY THIRD PARTY ARISING OUT OF THESE TERMS AND CONDITIONS OR ANY DEFECTIVE PRODUCT WHETHER THE DEFECT IS WARRANTED AGAINST OR NOT, WHETHER THE CLAIM IS BASED UPON CONTRACT, TORT, STRICT LIABILITY OR OTHERWISE, (ii) ANY AMOUNT EXCEEDING THE PURCHASE PRICE OF THE PRODUCT, (iii) SYSTEM PERFORMANCE, INCLUDING COVERAGE, (iv) THE BUYER'S SELECTION OF PRODUCTS FOR THE BUYER'S APPLICATION, AND/OR (iv) FAILURE OF PRODUCTS TO MEET GOVERNMENT OR REGULATORY REQUIREMENTS. The foregoing general warranty shall apply only if: (a) the product has been properly installed and used at all times in accordance, in all material respects, with the applicable product documentation; (b) no modification, alteration or addition has been made to the product by persons other than PCTEL or PCTEL's authorized representatives or otherwise approved by PCTEL in writing; and (c) the product has not been subjected to abuse, misuse, neglect or unusual physical, electrical or electromagnetic stress, or some other type of accident.

WARRANTY PROCEDURES: In the event of a warranty claim, the buyer must contact PCTEL to arrange for product return. No product will be accepted for replacement or repair without first obtaining a Return Material Authorization (RMA) number from PCTEL Customer Service by telephone to 630.372.6800 or by email to antenna.techsupport@pctel.com. PCTEL reserves the right to inspect all defective products. Products returned without an RMA number will not be processed and will be returned to the buyer freight collect. The warranty period of any repaired or replaced product shall not extend beyond its original term.

Equipment to be repaired or replaced under warranty is to be returned, freight prepaid, to the following address with the assigned RMA number displayed on the box:

PCTEL, Inc.
Attention: RMA Coordinator
471 Brighton Drive
Bloomington, Illinois 60108 U.S.A.