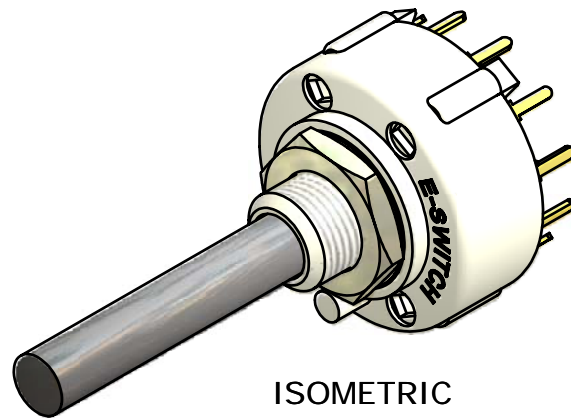
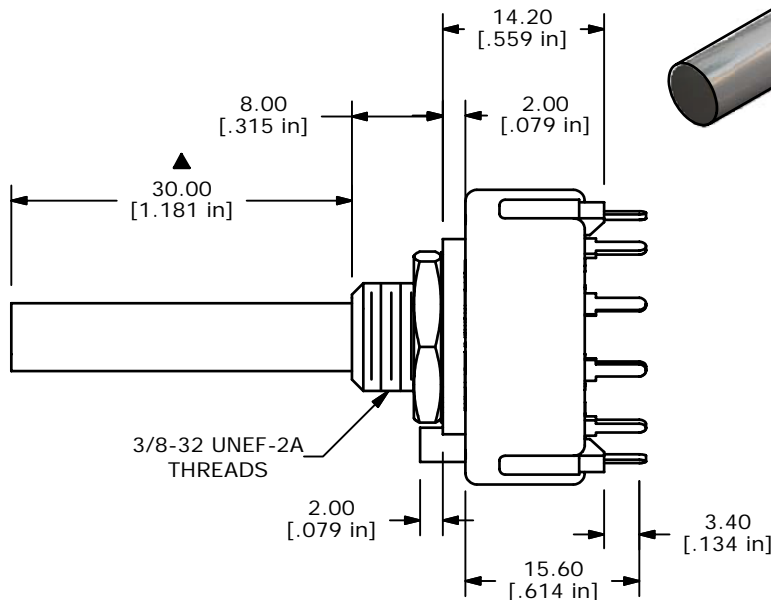
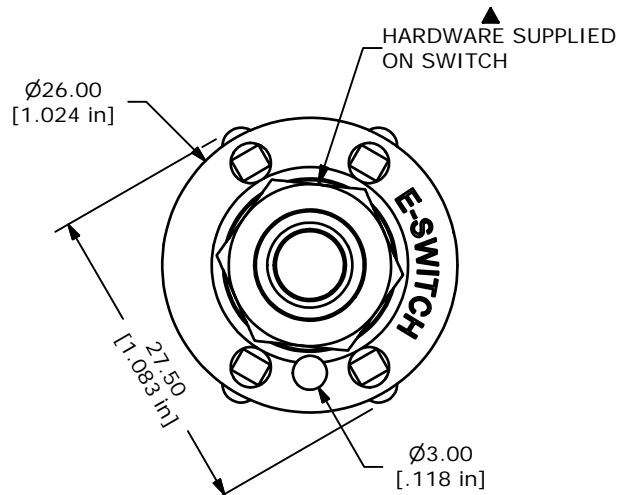
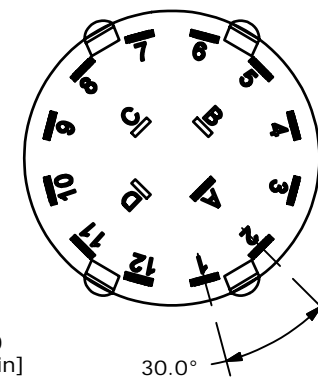


CONTACT CONFIGURATION
TIMING (BBM) NON-SHORTING



ISOMETRIC



NOTE:

1. ALL DIMENSIONS IN MM[INCH].
2. GENERAL TOLERANCE: X.X=±0.4
X.XX=±0.25
3. TERM. NOS. FOR REFERENCE ONLY.
- ▲4. CONTACT MATERIAL: GOLD
5. CONTACT RATING: 150MILLIAMP, 250VAC/DC
350MILLIAMP, 110VAC/DC
6. CONTACT RATING (NON-SWITCHING) 5A
7. OPERATING FORCE 425±100CM/STANDARD
8. OPERATING TEMP: -30°C TO 85°C
- ▲9. CIRCUIT SP: 12 POSITION 30° INDEX.
10. DIELECTRIC STRENGTH: 1000V RMS MIN.@ SEA LEVEL.
- ▲11. HARDWARE SUPPLIED ON SWITCH:
LOCKWASHER, HEXNUT
- 12.▲DENOTES CRITICAL PARAMETER.
13. 2002/95/EC (ROHS) COMPLIANT
- ▲14. PACKAGE: TRAY/462 PER



TITLE KC52B30.001NPF				
SCALE	DATE	DR	DWG	REV
1.5:1	2/14/2007	TN	G510360	A

A	16992	RELEASED FOR PRODUCTION	2/14/07	TN
REV	PCR NO	DESCRIPTION	DATE	BY
THE INFORMATION CONTAINED IN THIS DOCUMENT IS PROPRIETARY TO E-SWITCH AND IS NOT TO BE COPIED OR TRANSFERRED				