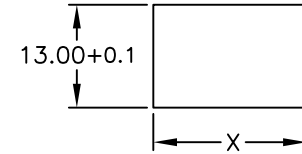
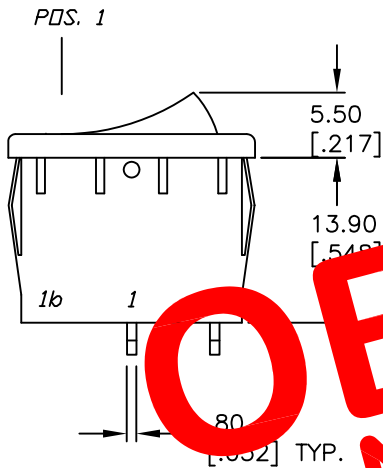


RECOMMENDED P.C.B. LAYOUT

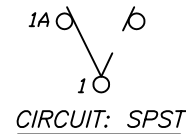
PANEL THICKNESS		X dimension	
0.75-1.25	[.030-.049]	19.2-0.1	[.756]
1.25-2.0	[.049-.079]	19.4-0.1	[.764]
2.0-3.0	[.079-.118]	19.8-0.1	[.780]



PANEL CUTOUT
NOT TO SCALE

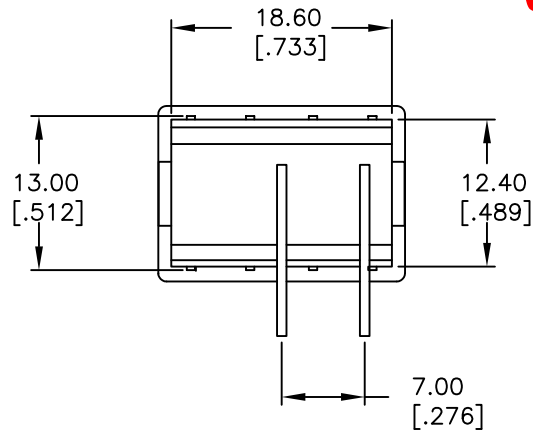


SWITCH FUNCTION	
POS. 1	POS. 2
ON	OFF
1-1a	OPEN



CIRCUIT: SPST

OBSOLETE
 November 2017
 PCR 23107



NOTES:

1. ALL DIMENSIONS IN MM [INCH]
2. GENERAL TOLERANCE: X.X=±0.4
X.XX=±0.25
3. TERMINAL NUMBERS FOR REF ONLY
4. RATING: 15A @ 125VAC OR
6A @ 250VAC
5. APPROVALS:
(UL, CSA, VDE, NEMKO, SEMKO, FIMKO, DEMKO)
6. MATERIALS: TERMINALS: Silver Plated Copper Alloy
CONTACTS: Coin Silver, Silver Plated
7. ELECTRICAL LIFE: 10,000 cycles
8. CONTACT RESISTANCE: <20 Mega Ω
9. INSULATION RESISTANCE: >1000 Mega Ω
10. DIELECTRIC STRENGTH: >1500 V 1 minute
>3000 V between poles

E-SWITCH®

TITLE		R1966A BLK BLK IR			
SCALE	DATE	DR	DWG	REV	
1.5:1	1/26/98	MM	M301200	B	

B	11664	REVISED PART DESCRIPTION	9/19/01	CJB
REV.	ECN No.	DESCRIPTION	DATE	CHKD
THE INFORMATION CONTAINED IN THIS DOCUMENT IS PROPRIETARY TO E-SWITCH AND IS NOT TO BE COPIED OR TRANSFERRED				