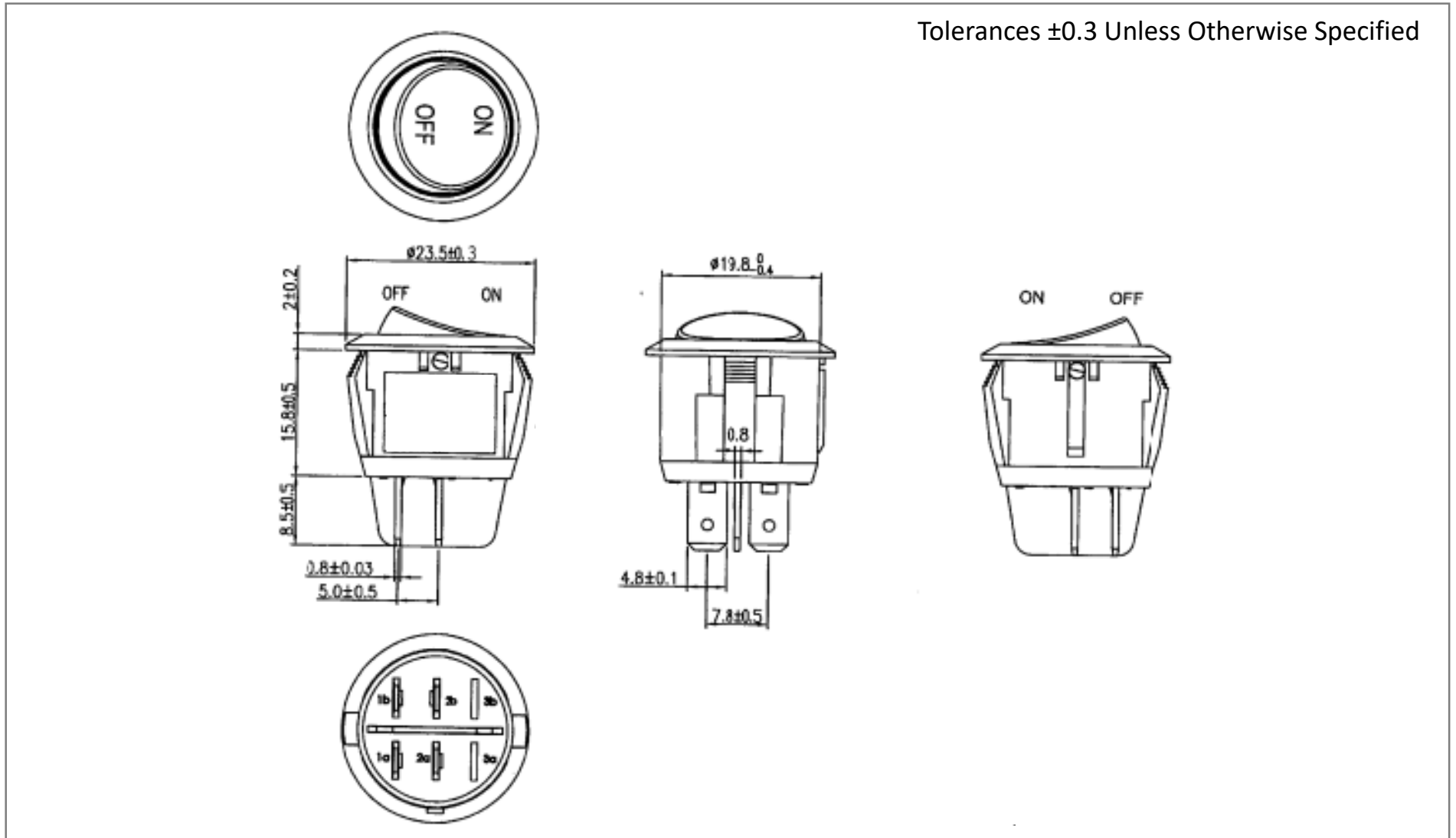
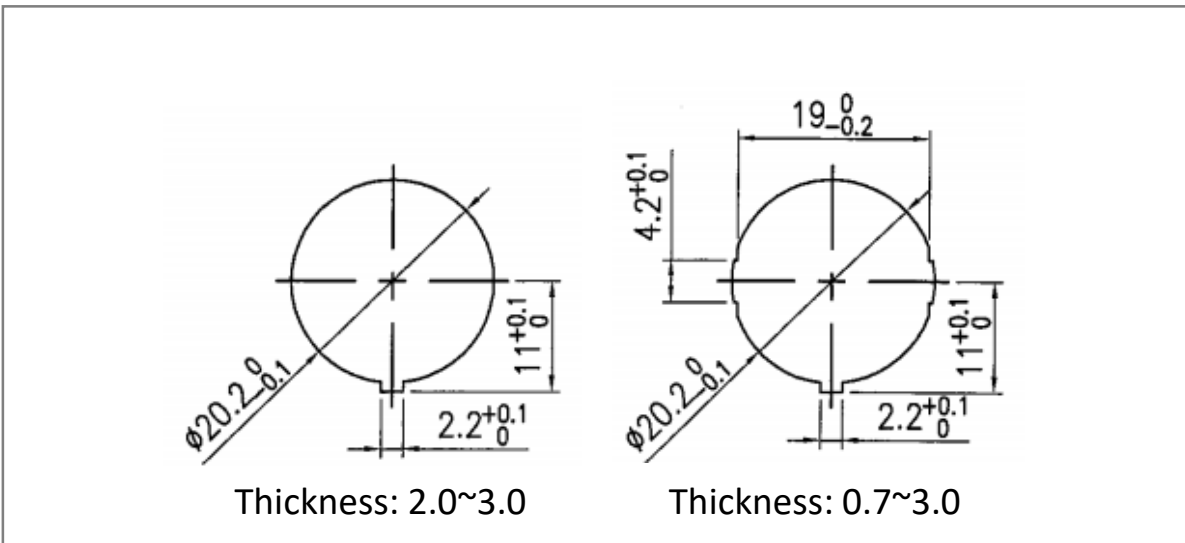


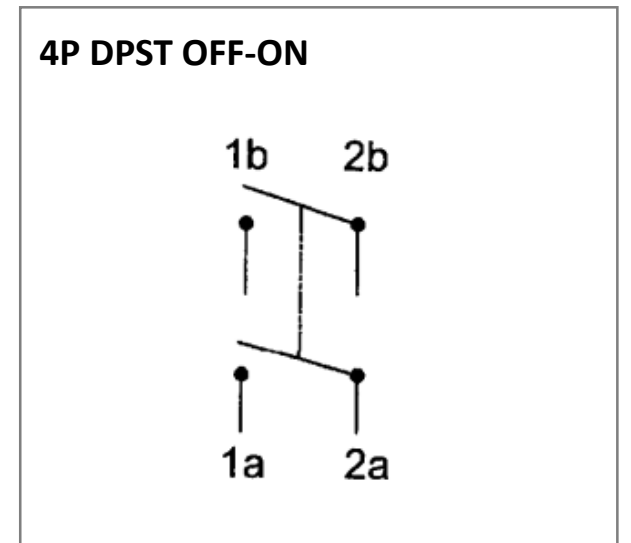
Mechanical Dimensions (mm)



Mounting Hole



Circuit Diagram



Electrical Specifications

Rating	20A 14V DC 10A 28V DC	
Contact Resistance	50m ohm Max.	
Insulation Resistance	DC 500V 100M ohm Min.	
Dielectric Strength	AC 1500V 1 minute	
Operation Temperature	-20°C~85°C	

Material Specifications

Frame	Black, Nylon#66
Printed	White, hot stamping