



# SD05 Integrated Signal Indicator

## Signal meter-SD05

[www.eyc-tech.com](http://www.eyc-tech.com)



※eYc SD05 fit for other kinds of transmitter

## | Features |

- SD05: 330° turnable, the direction of panel is changeable, good monitoring angle without blind corner
- Display : On-site display / 4 ... 20 mA / 0 ... 10 V
- Programmable, display value can be set according to sensor's spec
- Integrated display connected with 2-wire or 3-wire transmitter suitable for the on-site application
- The power is from 2-wire signal loop, 3-wire no extra power supply is required, easy to install
- Programmable by pressing 2 buttons, easy to operate
- High performance, good stability and functionality
- Input signal: 4 ... 20 mA (2-wire) / 0 ... 10 V (3-wire)

## | Applications |

With extensive applications as process monitoring in semiconductor industry / Steel industry / Chemical industry / Environmental engineering / Food processing / Pharmaceutical industry / Water plants / Power plants / Research and development

## | Specification |

### Input

Input signal	4 ... 20 mA(2-wire) / 0 ... 10 V(3-wire) Eg : Pressure / Differential pressure / Temp. / Flow / PH value / Load cell, etc
Parameter setting	Programmable by pressing the button

### Environment

Operating Temp.	20°C ... 60°C
Operating Humid.	0 ... 95%RH (Non-condensing)

### Output

Display method	4-Digit LED (Height of word : 9.2 mm)
Display range	-1999 ... +9999
Scale	Decimal point, programmable
Accuracy	0.2%F.S.
Overload current	40 mA (2-wire)

### Protection

IP Rating	IP 65
Electric protection	■ Polarity protection

### Certification

Certification	CE
---------------	----

### Material

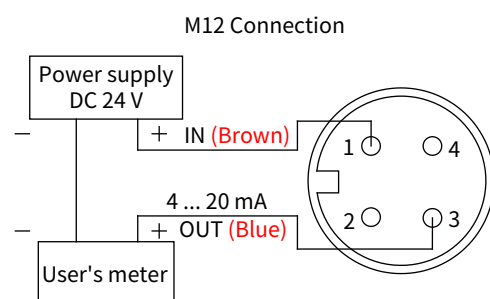
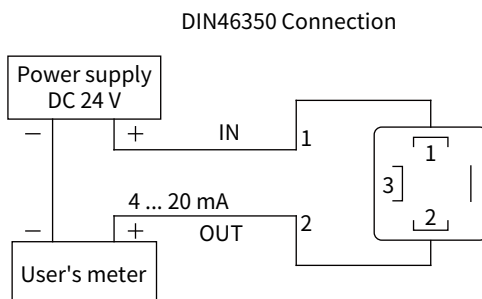
Housing (Body)	ABS(UL94V-0) + PC(UL94V-2)
Weight	H : 125 g / M : 127 g

### Electrical

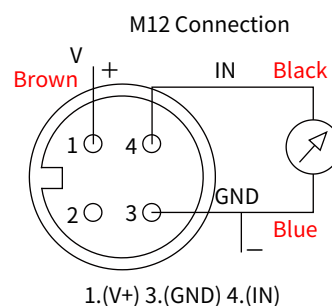
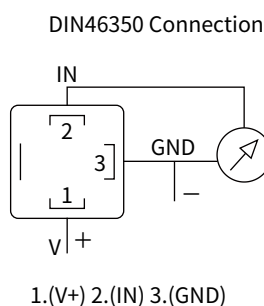
Power supply	DC 4 ... 20 mA , 2-wire DC 12 ... 33 V , 3-wire
Electrical connector	DIN 43650 : 330° / M12 : 210°

## | Diagram |

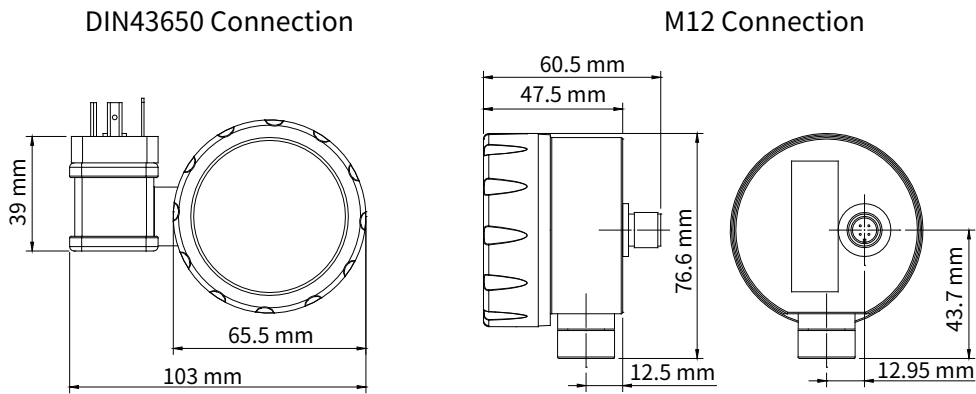
### ■ 2-Wire (4 ... 20 mA)



### ■ 3-Wire (0 ... 10 V)



| Dimension | Unit : mm



| Ordering Guide |

