

MICRO SWITCH

FREERPORT ILLINOIS, U.S.A
A DIVISION OF HONEYWELL
FED. MFG. CODE 91929

SWITCH - BASIC

CATALOG LISTING

V3L-3005

CQ-X1563

S

V3L-3005

M

DRAWING
NUMBER

X 6

X 8

ISSUE

X 3

REPLACES X72667-VEL

RELEASE NO. PR-20453

CHECK

CHECK

CHECK

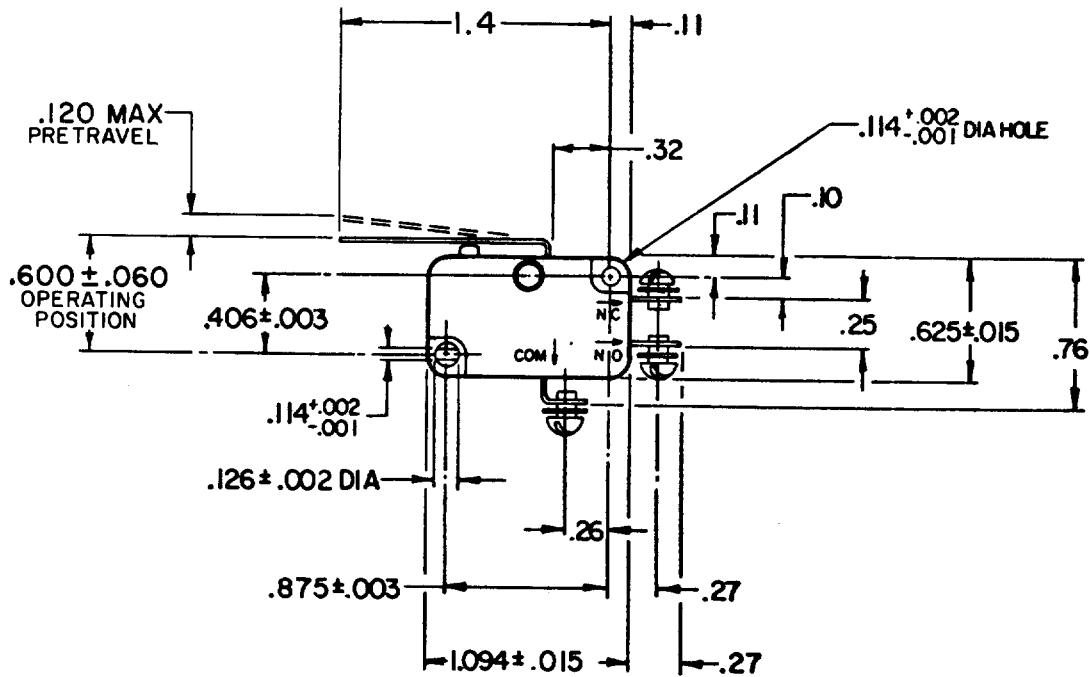
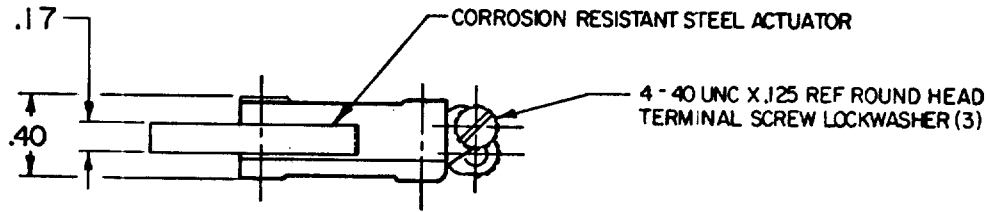
CHECK

CHECK

CHECK

CHECK

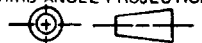
CHECK



REVISIONS	
A	C055729 K E W 4 SEP 84
B	CO 3007 1 OCT 85
C	OBS CO 73412 CSL 17 NOV 92
D	RE-INS PR 20453 D A W 15 DEC 92
E	19369 K D R 19 JUL 93

THIS DRAWING COVERS A PROPRIETARY ITEM AND IS THE PROPERTY OF MICRO SWITCH, A DIVISION OF HONEYWELL. THIS DRAWING IS NOT TO BE COPIED OR USED WITHOUT THE APPROVAL OF MICRO SWITCH.

THIRD ANGLE PROJECTION



CHARACTERISTICS	ELECTRICAL DATA	SCALE FULL												
OPERATING FORCE --- 88 GRAM MAX	CONTACT ARRANGEMENT S P D T	DO NOT SCALE PRINT												
RELEASE FORCE ----- 6 GRAM MIN	<p style="text-align: center;">L83</p> <p style="text-align: center;">15.1A 1/2HP 125 OR 250 VAC 1/2A 125 VDC, 1/4A 250 VDC 5A 125 VAC "L"</p> <p style="text-align: center;">RJ Ⓢ</p>	<p style="text-align: center;">TOLERANCES</p> <p style="text-align: center;">APPLY TO DESIGN UNITS. CONVERSIONS ARE ONLY FOR REFERENCE. UNLESS NOTED, TOLERANCES ARE ±</p> <table border="0"> <tr> <td>ONE PLACE</td> <td>(.0)</td> <td>±.030</td> </tr> <tr> <td>TWO PLACE</td> <td>(.00)</td> <td>±.015</td> </tr> <tr> <td>THREE PLACE</td> <td>(.000)</td> <td>±.005</td> </tr> <tr> <td>ANGLES</td> <td></td> <td>±</td> </tr> </table>	ONE PLACE	(.0)	±.030	TWO PLACE	(.00)	±.015	THREE PLACE	(.000)	±.005	ANGLES		±
ONE PLACE		(.0)	±.030											
TWO PLACE		(.00)	±.015											
THREE PLACE		(.000)	±.005											
ANGLES		±												
DIFFERENTIAL TRAVEL --- .032 MAX		<table border="0"> <tr> <td>DESIGN UNITS</td> <td>SI METRIC <input type="checkbox"/></td> <td>US CUSTOMARY <input checked="" type="checkbox"/></td> </tr> </table>	DESIGN UNITS	SI METRIC <input type="checkbox"/>	US CUSTOMARY <input checked="" type="checkbox"/>									
DESIGN UNITS	SI METRIC <input type="checkbox"/>	US CUSTOMARY <input checked="" type="checkbox"/>												
OVERTRAVEL ----- .090 MIN		WEIGHT												
RELEASE TRAVEL ----- .017 MIN														

FO-52848-A

DRAWN

GRT

MAY 81

CHECK

11 MAY 81