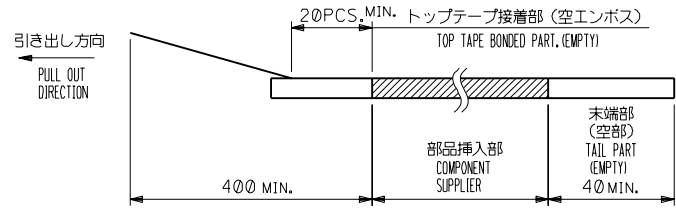
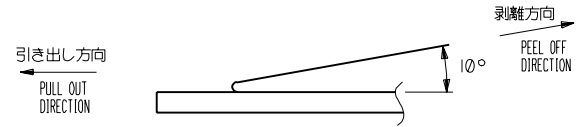


注記 NOTES

- 製品詳細寸法については、図面SD-54393-020を参照下さい。
RE DETAILED DIMENSION, SEE SD-54393-020.
- 梱包数量：2000個/リール
NUMBER OF CONNECTORS：2000PCS/REEL
- リードテープ長さ LEAD TAPE LENGTH

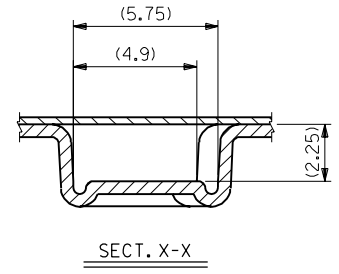
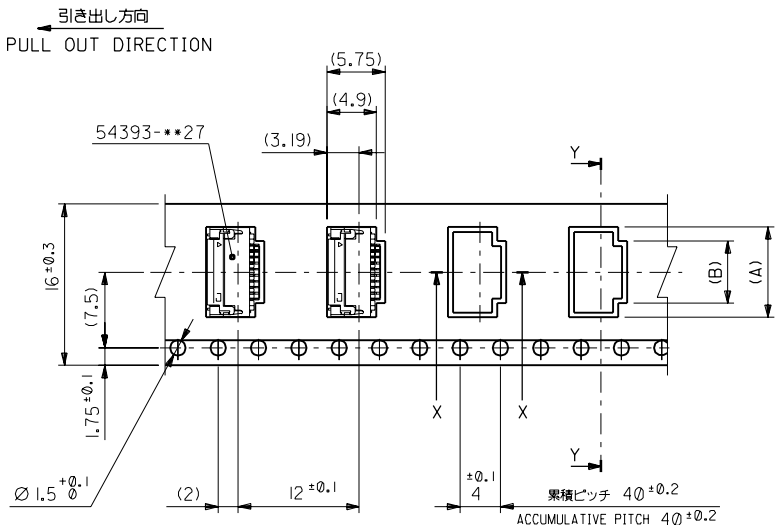
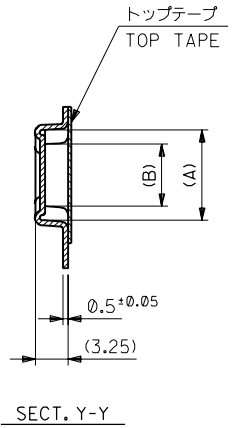


- トップテープの剥離強度：0.1N~0.7N (10.2gf~71.4gf)
(剥離方向は下図参照)
尚、本規格値は出荷時に適用。(但し、輸送時に剥離が発生しないこと。)
PEELING OFF FORCE OF TOP TAPE：0.1N ~ 0.7N(10.2gf ~ 71.4gf)
(PEELING DIRECTION AS SHOWN IN FOLLOWING FIG.)
THIS REQUIREMENT SHOULD BE APPLIED AT SHIPMENT.
PEEL OFF SHOULD NOT BE ALLOWED, DURING TRANSPORTATION.



- 材料 (MATERIAL)
キャリアテープ (CARRIER TAPE)：ポリプロピレン (POLYPROPYLENE)
トップテープ (TOP TAPE)：PET, PE, PEF
リール (REEL)：ポリスチレン (PS) <リサイクル材を含む>
POLYSTYREN (PS) <RECYCLE MATERIAL CONTAINED>

EC NO. DRAWN: CHK: APPR:	REVISED '01/7/20 EC NO. J2002-0041 DRWN:M.HAYASHI CHK: S.KUNISHI APPR: T.YAMAGUCHI	REVISED EC NO. JC2001-0161 DRWN:N.YANO '00/9/23 CHK: S.KUNISHI APPR:M.FUKUSHIMA 9/23	REVISED EC NO. JC2000-0595 DRWN:Y.MIZUNO '00/3/13 CHK: S.KUNISHI APPR:M.FUKUSHIMA 3/13	RELEASED EC NO. JC90603 DRWN:Y.MIZUNO '99/3/23 CHK: S.KUNISHI APPR:M.FUKUSHIMA 3/23	MATERIAL 材料 注記参照 SEE NOTES	GENERAL TOLERANCES: (UNLESS SPECIFIED) 一般公差	SCALE --//	DESIGN UNITS <input checked="" type="checkbox"/> mm <input type="checkbox"/> INCH	MODEL NO. THIRD ANGLE PROJECTION	DIMENSIONS: <input type="checkbox"/> mm <input type="checkbox"/> INCH <input checked="" type="checkbox"/> mm ONLY	SHT REVISE ON CAD ONLY	REV
C	B	A	0		FINISH 仕上げ //	10 UNDER 未満 ±0.2	DRAWN BY & DATE Y.MIZUNO '99/3/23	TITLE: 0.3 FPC Conn (Easy on) Hsg Assy Embstp Pkg	MOLEX INCORPORATED			
					WIRE RANGE 適用線径範囲 //	10 OVER 30 UNDER 未満 ±0.25	CHECKED BY & DATE S.KUNISHI '01/7/20	MATERIAL NO. DRAWING NO. SHEET NO. SEE CHART SD-54393-016 1 OF 4				
					INS. RANGE 被覆外径 //	30 OVER 以上 ±0.3	APPROVED BY & DATE T.YAMAGUCHI '01/7/20	THIS DRAWING CONTAINS INFORMATION THAT IS PROPRIETARY TO MOLEX INCORPORATED AND SHOULD NOT BE USED WITHOUT WRITTEN PERMISSION.				
					ANGLE 角度 ±3°		CAD FILENAME 54393016.S01	EN-02J(097) MXJ-54				



16mm幅キャリアテープ
16mm WIDTH CARRIER TAPE

DO NOT SCALE DRAWING

EC NO. DRWN: CHK: APPR:		EC NO. DRWN: CHK: APPR:		EC NO. DRWN: CHK: APPR:		REVISED '01/7/20 EC NO. J2002-0041 DRWN:M.HAYASHI CHK: S.KUNISHI APPR:T.YAMAGUCHI		REVISED EC NO. JC2001-0161 DRWN:N.YANO '00/9/29 CHK: S.KUNISHI APPR:M.FUKUSHIMA 9/29		MATERIAL 材料 注記参照 SEE NOTES		GENERAL TOLERANCES: (UNLESS SPECIFIED) 一般公差		SCALE //		DESIGN UNITS <input checked="" type="checkbox"/> mm <input type="checkbox"/> INCH		MODEL NO. 54393-***92		DIMENSIONS: <input type="checkbox"/> mm <input type="checkbox"/> INCH <input checked="" type="checkbox"/> mm ONLY		SHT REV	
						C		B		FINISH 仕上げ //		10 UNDER 未満 ±0.2		DRAWN BY & DATE N.YANO '00/9/29		THIRD ANGLE PROJECTION		TITLE: 0.3 FPC Conn (Easy on) Hsg Assy Embstp Pkg		MATERIAL NO. 54393-1792		REVISE ON CAD ONLY	
										WIRE RANGE 適用線径範囲 //		10 OVER 以上 ±0.25		CHECKED BY & DATE S.KUNISHI '01/7/20		MATERIAL NO. SEE CHART		DRAWING NO. SD-54393-016		SHEET NO. 2 OF 4		SIZE B	
										INS. RANGE 被覆外径 //		30 OVER 以上 ±0.3		APPROVED BY & DATE T.YAMAGUCHI '01/7/20		DRAWING NO. SD-54393-016		SHEET NO. 2 OF 4		SIZE B		EN-02J(097) MXJ-54	
										ANGLE 角度 ±3°				CAD FILENAME 54393016.S02		MATERIAL NO. SEE CHART		DRAWING NO. SD-54393-016		SHEET NO. 2 OF 4		THIS DRAWING CONTAINS INFORMATION THAT IS PROPRIETARY TO MOLEX INCORPORATED AND SHOULD NOT BE USED WITHOUT WRITTEN PERMISSION.	

54393016.S02

DWG. NO. SD-54393-016

F

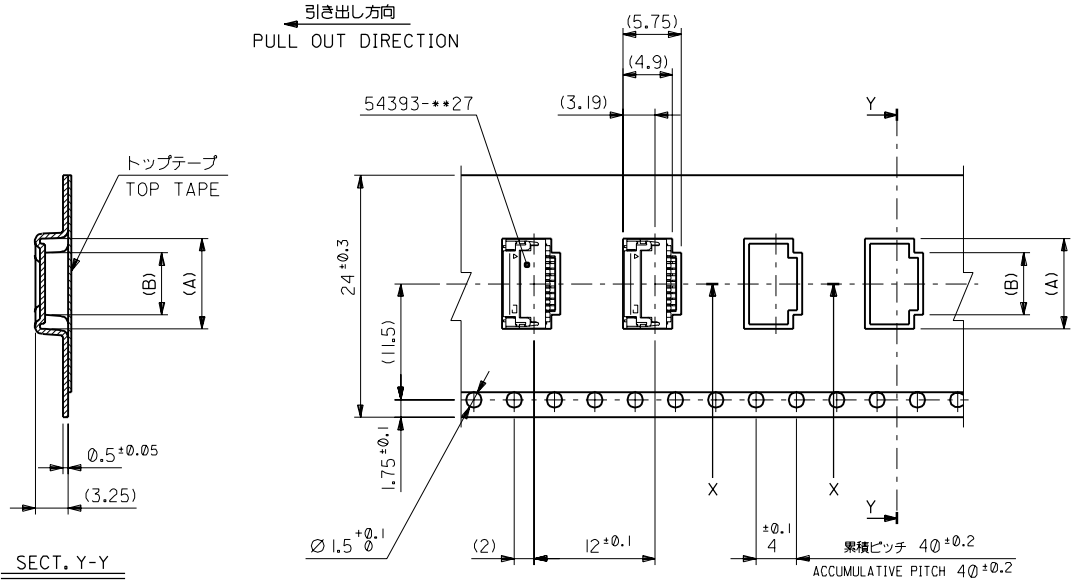
D

V

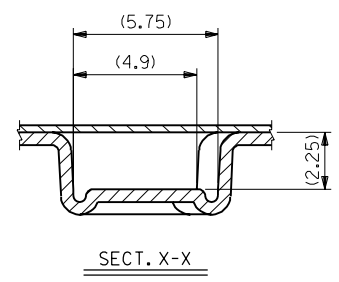
C

B

DO NOT SCALE DRAWING

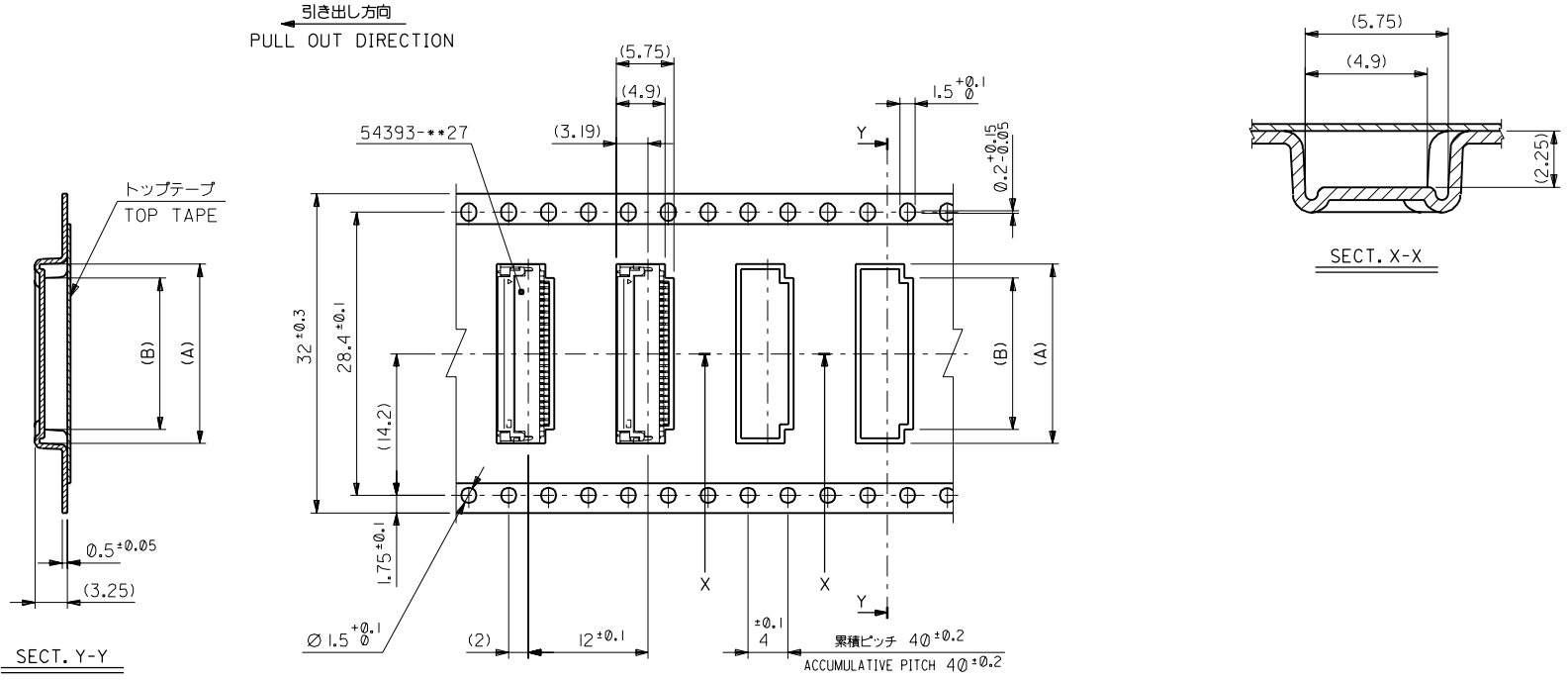


24mm幅キャリアテープ
24mm WIDTH CARRIER TAPE



24	25.5	13.4	16.2	54393-4592	45
		11.6	14.4	54393-3992	39
		9.8	12.6	54393-3392	33
		8	10.8	54393-2792	27
		6.8	9.6	54393-2392	23
		6.2	9.0	54393-2192	21
キャリアテープ幅 CARRIER TAPE WIDTH	C	B	A	MATERIAL NO.	極致 CKT.

EC NO. DRWN: CHK: APPR:	REVISED '01/7/20 EC NO. J2002-0041 DRWN:M.HAYASHI CHK: S.KUNISHI APPR:T.YAMAGUCHI	REVISED EC NO. JC2001-0161 DRWN:N.YANO '00/9/23 CHK: S.KUNISHI APPR:M.FUKUSHIMA 9/23	REVISED EC NO. JC2000-0595 DRWN:Y.MIZUNO '00/3/13 CHK: S.KUNISHI APPR:M.FUKUSHIMA 3/13	RELEASED EC NO. JC90603 DRWN:Y.MIZUNO '99/3/23 CHK: S.KUNISHI APPR:M.FUKUSHIMA 3/23	MATERIAL 材料 注記参照 SEE NOTES	GENERAL TOLERANCES: (UNLESS SPECIFIED) 一般公差	SCALE //	DESIGN UNITS <input checked="" type="checkbox"/> mm <input type="checkbox"/> INCH	MODEL NO. 54393-***92	DIMENSIONS: <input type="checkbox"/> mm <input type="checkbox"/> INCH <input checked="" type="checkbox"/> mm ONLY	SHT REV
	C	B	A	0		10 UNDER 未満 ±0.2	DRAWN BY & DATE Y.MIZUNO '99/3/23	THIRD ANGLE PROJECTION	TITLE: 0.3 FPC Conn (Easy on) Hsg Assy Embstp Pkg		
						10 OVER 以上 30 UNDER 未満 ±0.25	CHECKED BY & DATE S.KUNISHI '01/7/20		MOLEX INCORPORATED		
						30 OVER 以上 ±0.3	APPROVED BY & DATE T.YAMAGUCHI '01/7/20				
						ANGLE 角度 ±3°	CAD FILENAME 54393016.S03	MATERIAL NO. SEE CHART	DRAWING NO. SD-54393-016	SHEET NO. 3 OF 4	SIZE B
THIS DRAWING CONTAINS INFORMATION THAT IS PROPRIETARY TO MOLEX INCORPORATED AND SHOULD NOT BE USED WITHOUT WRITTEN PERMISSION.											



32mm幅キャリアテープ
32mm WIDTH CARRIER TAPE

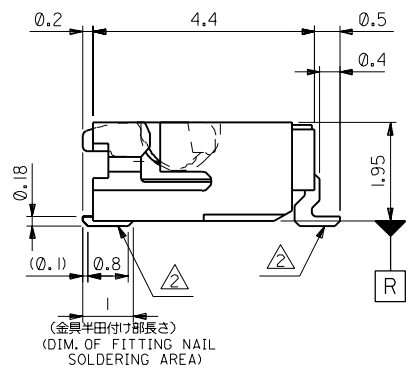
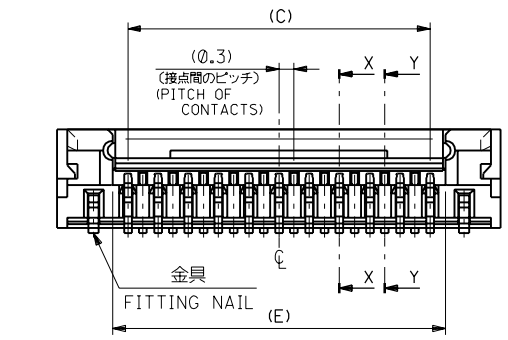
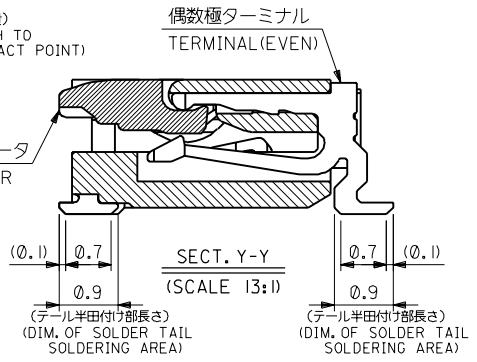
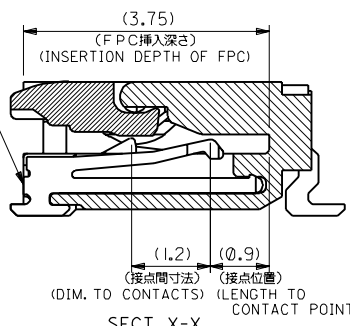
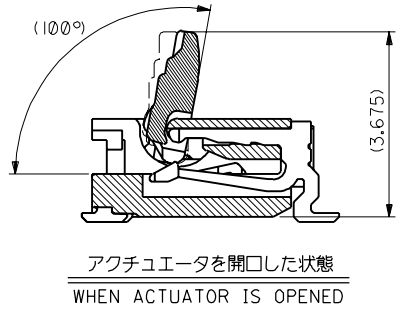
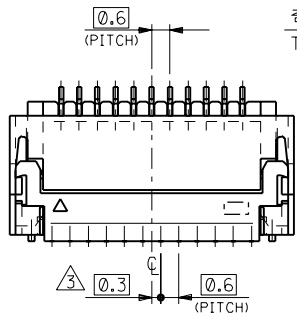
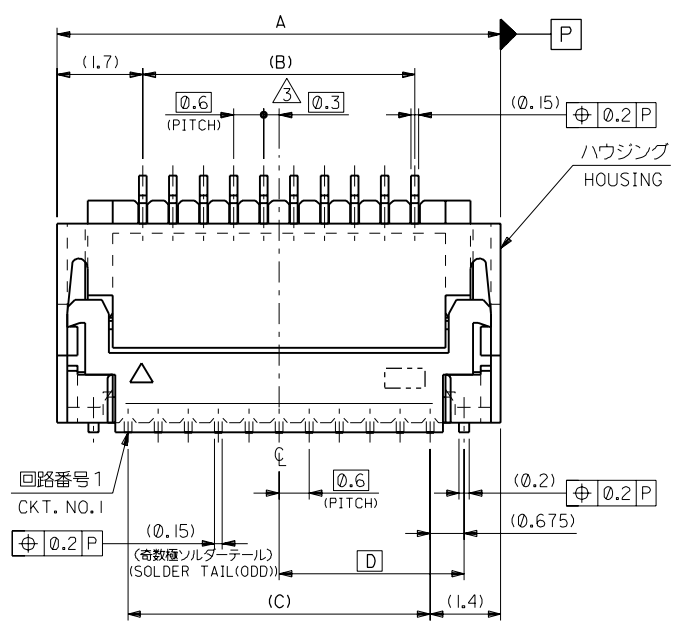
32	33.5	15.2	18.0	54393-5192	51
キャリアテープ幅 CARRIER TAPE WIDTH	C	B	A	MATERIAL NO.	極致 CKT.

EC NO. DRWN: CHK: APPR:	REVISED '01/7/20 EC NO. J2002-0041 DRWN:M.HAYASHI CHK: S.KUNISHI APPR: T.YAMAGUCHI	REVISED EC NO. JC2001-0161 DRWN:N.YANO '00/9/29 CHK: S.KUNISHI APPR:M.FUKUSHIMA 9/29	REVISED EC NO. JC2000-0595 DRWN:Y.MIZUNO '00/3/13 CHK: S.KUNISHI APPR:M.FUKUSHIMA 3/13	RELEASED EC NO. JC90603 DRWN:Y.MIZUNO '99/3/23 CHK: S.KUNISHI APPR:M.FUKUSHIMA 3/23
DESCRIPTION	MATERIAL 材料			
FINISH 仕上げ	//			
WIRE RANGE 適用導線範囲	//			
INS. RANGE 被覆外径	//			

GENERAL TOLERANCES: (UNLESS SPECIFIED) 一般公差	10 UNDER 未満	±0.2
	10 OVER 以上	±0.25
	30 OVER 以上	±0.3
ANGLE 角度		±3°

SCALE	DESIGN UNITS	MODEL NO.	DIMENSIONS:	SHT	REV
---	<input checked="" type="checkbox"/> mm <input type="checkbox"/> INCH	54393-***92	<input type="checkbox"/> mm <input type="checkbox"/> INCH <input checked="" type="checkbox"/> mm ONLY		
DRAWN BY & DATE	CHECKED BY & DATE	TITLE:			
Y.MIZUNO '99/3/23	S.KUNISHI '01/7/20	0.3 FPC Conn (Easy on) Hsg Assy Embstp Pkg			
APPROVED BY & DATE	CAD FILENAME	MATERIAL NO.	DRAWING NO.	SHEET NO.	
T.YAMAGUCHI '01/7/20	54393016.S04	SEE CHART	SD-54393-016	4 OF 4	

THIS DRAWING CONTAINS INFORMATION THAT IS PROPRIETARY TO MOLEX INCORPORATED AND SHOULD NOT BE USED WITHOUT WRITTEN PERMISSION.				SIZE B
--	--	--	--	-----------



注記 NOTES

- 使用材料 MATERIAL
 ハウジング : LCP, UL94V-0
 HOUSING
 アクチュエータ : PPS, UL94V-0
 ACTUATOR
 ターミナル : リン青銅 (t=0.15), 銅下地半田メッキ
 TERMINAL : PHOS-BRO., Sn-Pb OVER Cu PLATING.
 金具 : リン青銅 (t=0.2), 銅下地半田メッキ
 FITTING NAIL : PHOS-BRO., Sn-Pb OVER Cu PLATING.
- ソルダーテール半田付け面のスレ量、及び金具半田付け面のスレ量は、基準面 R に対し、上方向 0 MAX., 下方向 0.18 MAX. とする。又、相互のパラッキ量は 0.1 MAX. とする。MISALIGNMENT OF SOLDER TAILS AND FITTING NAILS FROM R
 UPPER DIRECTION : 0 MAX., LOWER DIRECTION : 0.18 MAX. OFFSET BETWEEN SOLDER TAILS AND FITTING NAILS : 0.1 MAX.
- (N-1)/2 が偶数の場合、偶数極側に適用。
 (N-1)/2 が奇数の場合、奇数極側に適用。
 IF (N-1)/2 = EVEN, APPLY FOR EVEN CIRCUIT SIDE.
 IF (N-1)/2 = ODD, APPLY FOR ODD CIRCUIT SIDE.
- 一般公差 : ±0.3
 GENERAL TOLERANCES : ±0.3

15.6	8.175	15	14.4	17.8	54393-5127	51
13.8	7.275	13.2	12.6	16	54393-4527	45
12	6.375	11.4	10.8	14.2	54393-3927	39
10.2	5.475	9.6	9	12.4	54393-3327	33
8.4	4.575	7.8	7.2	10.6	54393-2727	27
7.2	3.975	6.6	6.0	9.4	54393-2327	23
6.6	3.675	6	5.4	8.8	54393-2127	21
5.4	3.075	4.8	4.2	7.6	54393-1727	17
E	D	C	B	A	MATERIAL NO.	CKT.

REVISED '01/7/20 EC NO. JC2002-0041 DRWN:M.HAYASHI CHK: S.KUNISHI APPR:T.YAMAGUCHI	REVISED EC NO. JC2001-0161 DRWN:N.YANO '00/9/29 CHK: S.KUNISHI '00/9/29 APPR:M.FUKUSHIMA	REVISED EC NO. JC2000-0595 DRWN:Y.MIZUNO '00/3/13 CHK: S.KUNISHI '00/3/13 APPR:M.FUKUSHIMA	REVISED ECR-JC90669 EC NO. JC90669 '99/6/9 DRWN:Y.MIZUNO '99/6/9 CHK: S.KUNISHI '99/6/9 APPR:M.FUKUSHIMA	RELEASED EC NO. JC90641 DRWN:Y.MIZUNO '99/4/8 CHK: S.KUNISHI '99/4/8 APPR:M.FUKUSHIMA
D	C	B	A	0

MATERIAL 材料	注記参照 SEE NOTES
FINISH 仕上げ	//
WIRE RANGE 適用線径範囲	//
INS. RANGE 被覆外径	//

GENERAL TOLERANCES: (UNLESS SPECIFIED) 一般公差	10 UNDER 未満	±0.2
	10 OVER 以上	±0.25
	30 OVER 以上	±0.3
ANGLE 角度		±3°

54393-**27		MODEL NO.		DIMENSIONS:		SHT	REV
SCALE 10:1	DESIGN UNITS <input checked="" type="checkbox"/> mm <input type="checkbox"/> INCH	THIRD ANGLE PROJECTION		<input type="checkbox"/> mm <input type="checkbox"/> INCH	<input type="checkbox"/> mm ONLY		REVISE ON CAD ONLY
DRAWN BY & DATE Y.MIZUNO '99/4/8		TITLE: 0.3 FPC Conn (Easy on) Hsg Assy					
CHECKED BY & DATE S.KUNISHI '01/7/20		MOLEX MOLEX INCORPORATED					
APPROVED BY & DATE T.YAMAGUCHI '01/7/20		MATERIAL NO.	DRAWING NO.	SHEET NO.		REVISE ON CAD ONLY	
CAD FILENAME 54393020.S01		SEE CHART	SD-54393-020	1 OF 2			
THIS DRAWING CONTAINS INFORMATION THAT IS PROPRIETARY TO MOLEX INCORPORATED AND SHOULD NOT BE USED WITHOUT WRITTEN PERMISSION.							

DWG. NO. SD-54393-020

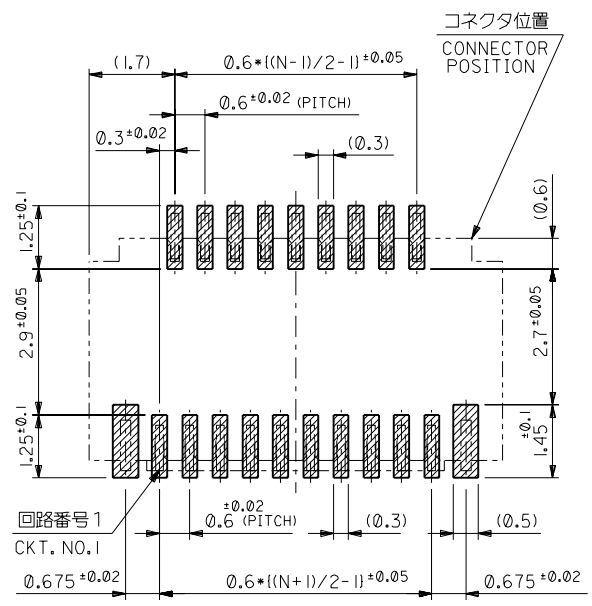
F

D

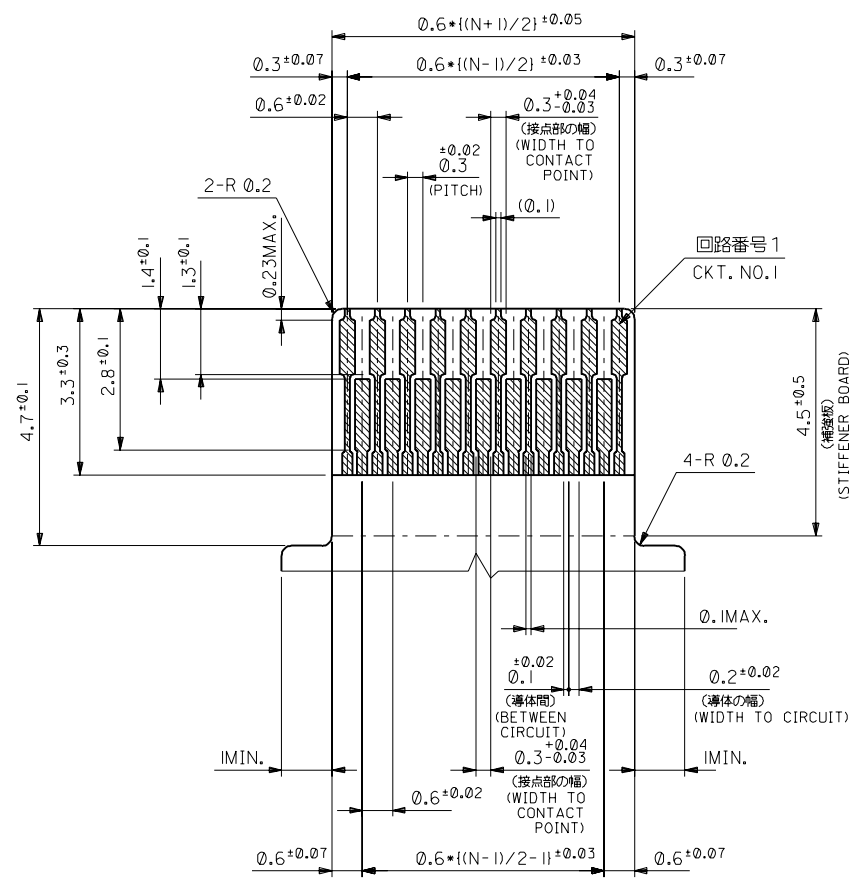
V

C

B



参考基板レイアウト
RECOMMENDED P.C.BOARD
PATTERN DIM. (REF.)
(マウント面)
(MOUNTING SIDE)



適合FPC推奨寸法
APPLICABLE FPC
RECOMMENDED DIM.
(仕上がり厚さ: 0.2 ± 0.03)
(THICKNESS: 0.2 ± 0.03)

DO NOT SCALE DRAWING

REVISED 01/7/20 EC NO. JC2002-0041 DRWN: M. HAYASHI CHK: S. KUNISHI APPR: T. YAMAGUCHI	REVISED EC NO. JC2001-0161 DRWN: N. YANO '00/9/29 CHK: S. KUNISHI '00/9/29 APPR: M. FUKUSHIMA	REVISED EC NO. JC2000-0595 DRWN: Y. MIZUNO '00/3/13 CHK: S. KUNISHI '00/3/13 APPR: M. FUKUSHIMA	REVISED ECR-JC90669 EC NO. JC90669 DRWN: Y. MIZUNO '99/6/9 CHK: S. KUNISHI '99/6/9 APPR: M. FUKUSHIMA	RELEASED EC NO. JC90641 DRWN: Y. MIZUNO '99/4/8 CHK: S. KUNISHI '99/4/8 APPR: M. FUKUSHIMA	MATERIAL 材料 // 注記参照 SEE NOTES	GENERAL TOLERANCES: (UNLESS SPECIFIED) 一般公差 10 UNDER 未満 ±0.2 10 OVER 以上 30 UNDER 未満 ±0.25 30 OVER 以上 ±0.3 ANGLE 角度 ±3°	SCALE 10:1 DESIGN UNITS <input checked="" type="checkbox"/> mm <input type="checkbox"/> INCH DRAWN BY & DATE Y. MIZUNO '99/4/8 CHECKED BY & DATE S. KUNISHI '01/7/20 APPROVED BY & DATE T. YAMAGUCHI '01/7/20 CAD FILENAME 54393020.S02	THIRD ANGLE PROJECTION DIMENSIONS: <input type="checkbox"/> mm <input type="checkbox"/> INCH <input checked="" type="checkbox"/> mm ONLY SHT REV REVISE ON CAD ONLY	TITLE: 0.3 FPC Conn (Easy on) Hsg Assy	MATERIAL NO. SEE SHEET 1	DRAWING NO. SD-54393-020	SHEET NO. 2 OF 2	
D	C	B	A	0	REV	WIRE RANGE 適用線径範囲 //	INS. RANGE 被覆外径 //	THIS DRAWING CONTAINS INFORMATION THAT IS PROPRIETARY TO MOLEX INCORPORATED AND SHOULD NOT BE USED WITHOUT WRITTEN PERMISSION.					SIZE B