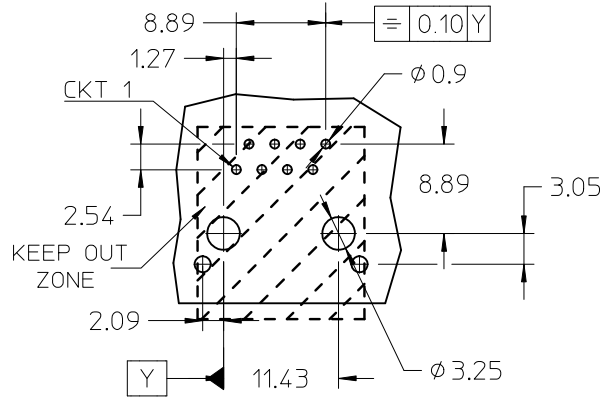


P.C.B. MOUNTING PATTERNS  
VIEW FROM COMPONENT SIDE  
ALL DIMENSIONS REF DIMENSIONS

Scale 2:1



PART No.	PLATING
85542-7003	7

**TECHNICAL SPECIFICATIONS:**

**MATERIAL:**

HOUSING: LCP GLASS FILLED UL94V-0, COLOR BLACK  
 TERMINAL: COPPER ALLOY PLATED WITH:  
 PLATING 7: POST PLATE 0.00005 MIN GOLD FLASH OVER  
 0.00060 MIN PALLADIUM-NICKEL IN CONTACT AREA  
 0.00190 MIN PURE TIN IN TAIL AREA  
 BOTH OVER 0.00127 MIN NICKEL OVERALL  
 SHIELD: BRASS PLATED WITH 0.0020 MIN PURE TIN

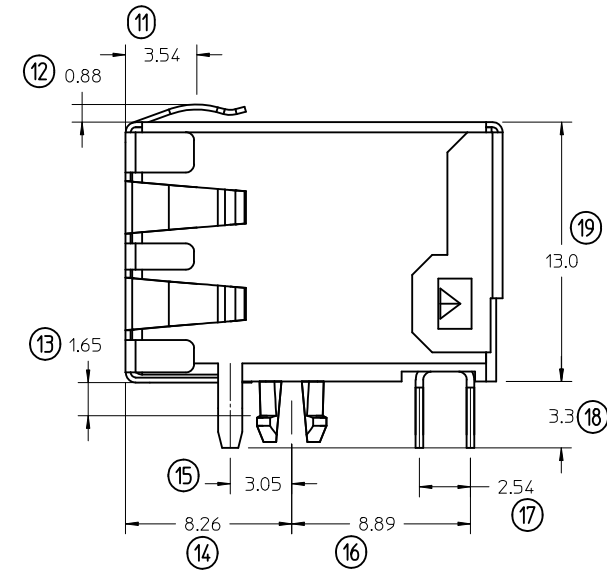
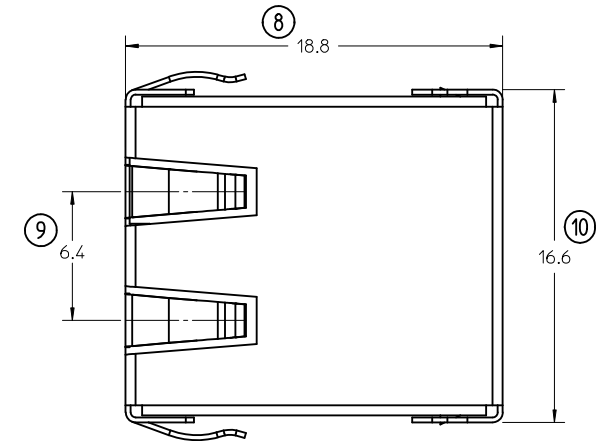
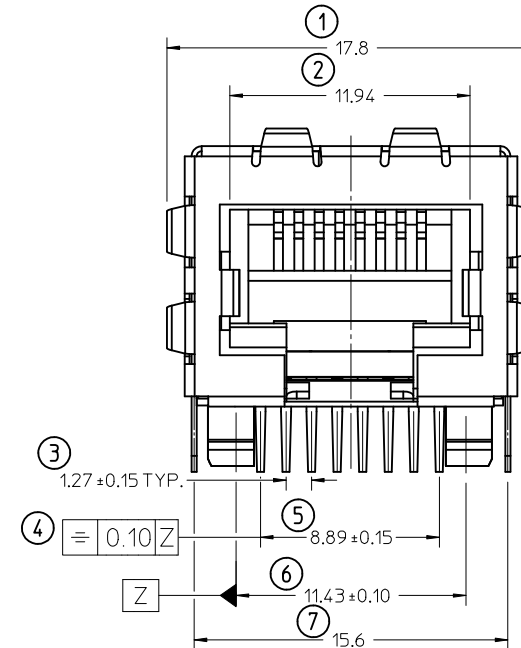
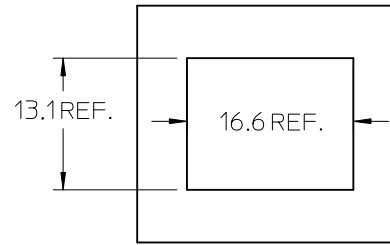
**NOTES:**

- JACK FOR MATING WITH RJ45 PLUG MOLEX 95043 SERIES
- PRODUCT SPECIFICATION: PS-95622-001
- PACKAGING SPECIFICATION PK-85542-003
- PCB BOARD THICKNESS: 1.57

LAST INSPECTION No: 19

SUGGESTED PANEL CUTOUT

Scale 2:1



ADDED PLATING OPTION EC NO: E2012-0040 DRWN: JOCANNOR 2011/04/07 CHKD: APPR: EFOLAN 2011/10/13	QUALITY SYMBOLS ▽=0 ◻=0	GENERAL TOLERANCES (UNLESS SPECIFIED)		DIMENSION STYLE MM ONLY		SCALE 4:1	DESIGN UNITS METRIC	THIRD ANGLE PROJECTION	
			mm	INCH	DRAWN BY OBYRNES	DATE 2006/09/05	TITLE R/A FULLY SHIELDED JACK 8/8 T/HOLE W. FRONT SHIELD SPRINGS		
		4 PLACES	± ---	± ---	CHECKED BY EOMAHONY	DATE 2006/09/06	MOLEX INCORPORATED		
		3 PLACES	± ---	± ---	APPROVED BY EOMAHONY	DATE 2006/09/06	DOCUMENT NO. SD-85542-503	SHEET NO. 1 OF 1	
			2 PLACES	± 0.25	± ---	SEE CHART			
			1 PLACE	± 0.35	± ---	THIS DRAWING CONTAINS INFORMATION THAT IS PROPRIETARY TO MOLEX INCORPORATED AND SHOULD NOT BE USED WITHOUT WRITTEN PERMISSION			
			ANGULAR ± .5 °						
			DRAFT WHERE APPLICABLE MUST REMAIN WITHIN DIMENSIONS						