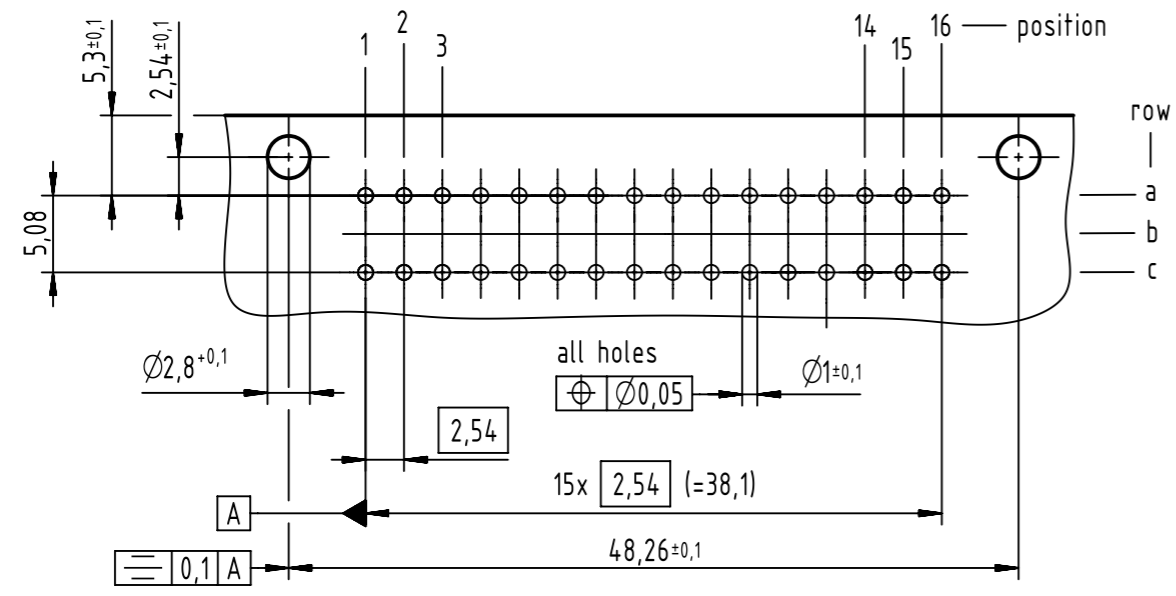


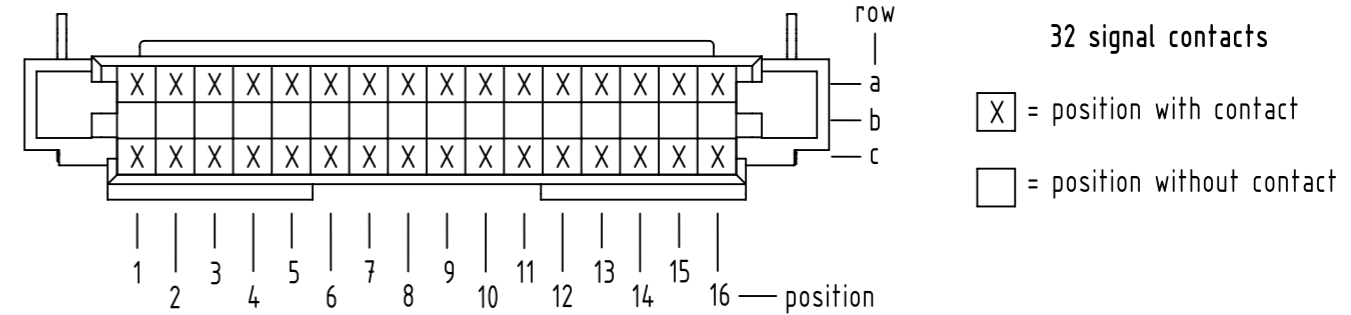
1 2 3 4 5 6 7 8

A
B
C
D
E
F

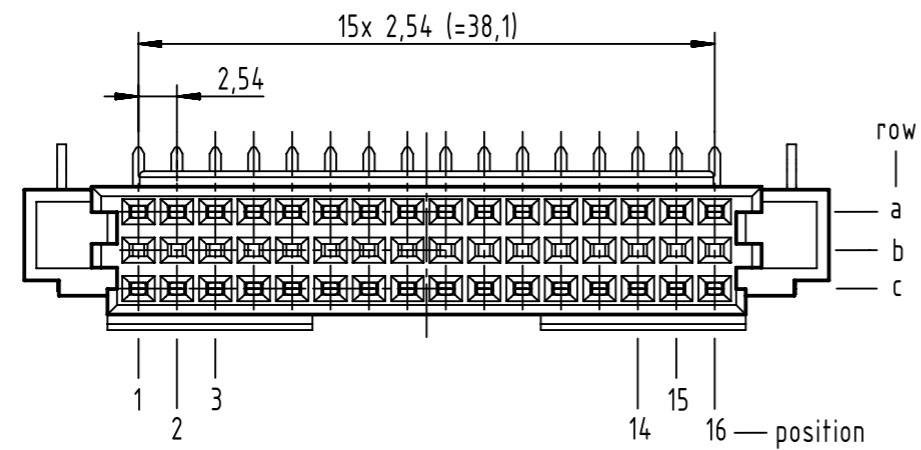
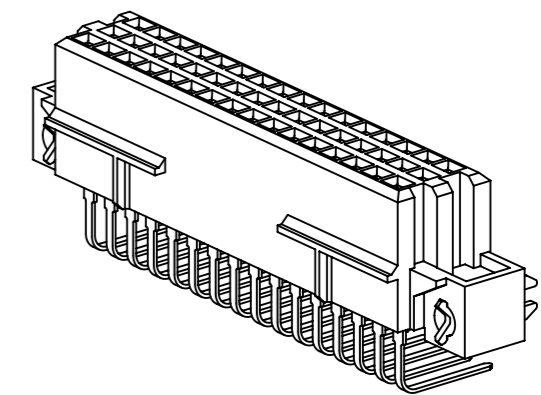
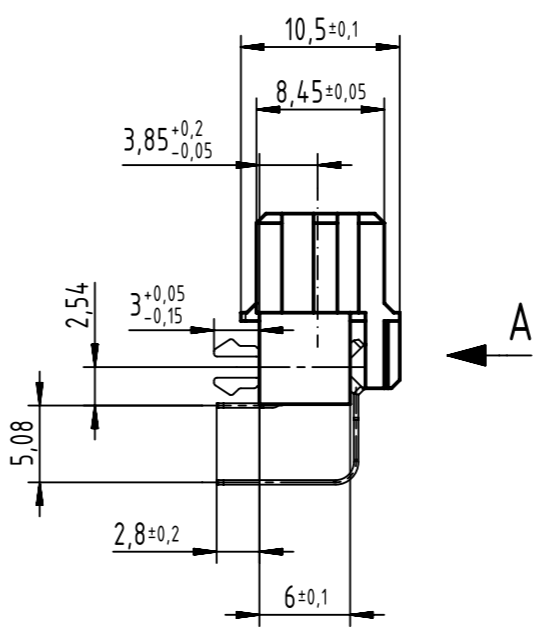
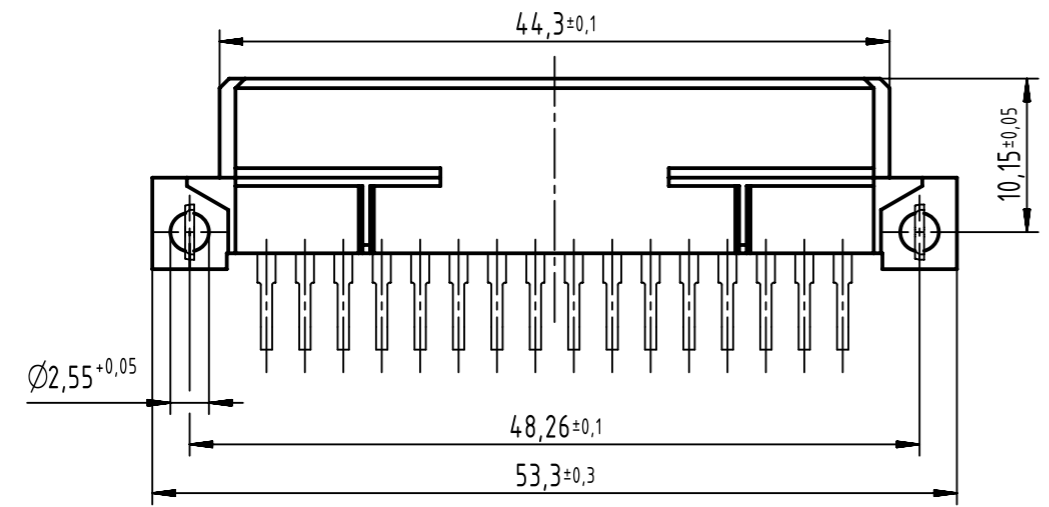
A
board drillings



B
contact arrangement



B



1 further information see: DS 09732200201

09 28 432 6801	2
part no.	performance level 1

	All Dimensions in mm Original Size DIN A3		Scale 2:1	Free size tol. complementary IEC 60603-2		Ref.	
	All rights reserved Department EC PD - DE		Created by HASELOH	Inspected by WOLF	Standardisation HOFFMANN	Date 2016-10-17	State Final Release
HARTING Electronics GmbH D-32339 Espelkamp		Title DIN Signal type 2R female with clip 32-pole			Doc-Key / ECM-Nr. 100613548/UGD/034/A 500000110183		Rev. A
		Type TB	Number 0928432X801		Page 1/1		

1 2 3 4 5 6 7 8