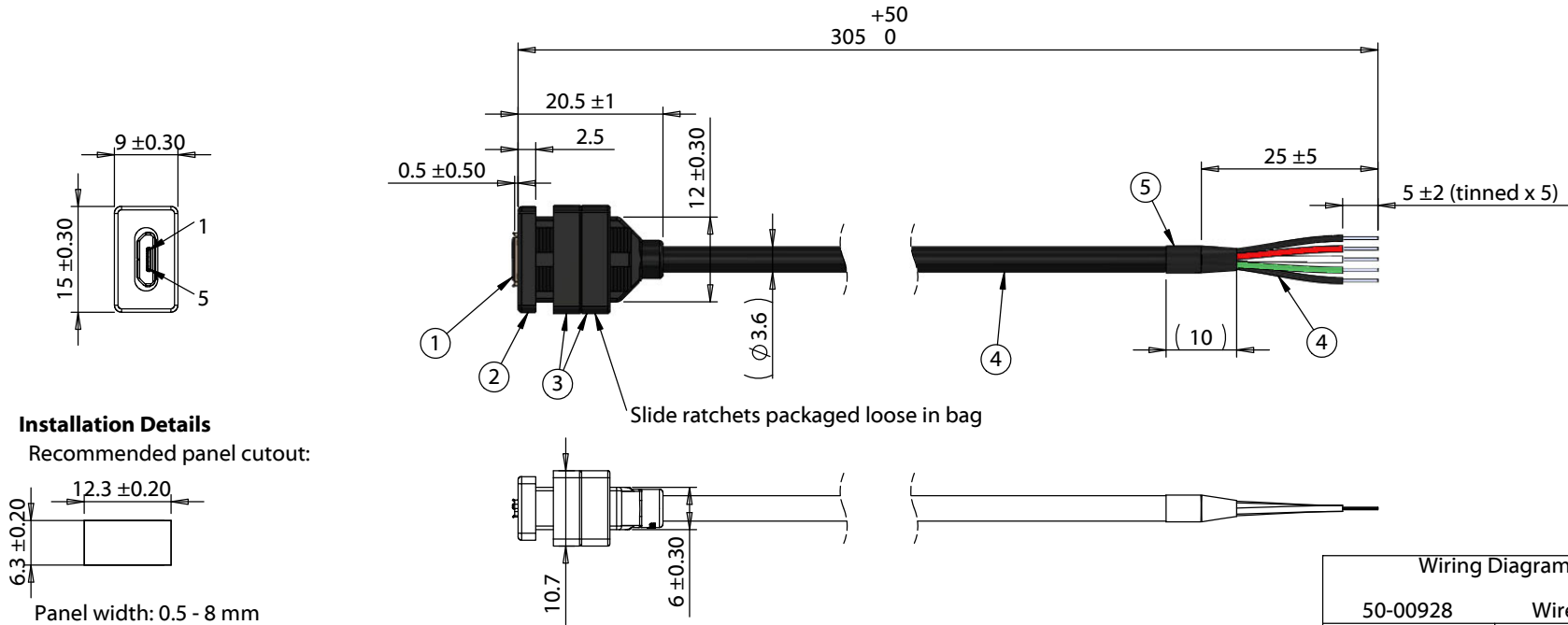
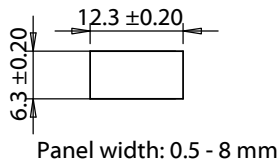


ITEM NO.	PART NUMBER	DESCRIPTION	QTY.	COMPONENT NOTES
1	50-00928	Connector, USB B micro jack, molding style, 180°, nickel plated shell	1	
2	24-00330	Overmold, panel mount USB jack, 180°, Nylon	1	Black
3	55-00140	Slide ratchet, panel mount USB jack, Nylon	2	Black
4	30-00088	Wire, 4C, 1PR + 2C, 28 AWG, UL2725, 30V, 80C, 3.6 mm, shielded, VW-1, PVC, 79A, USB 2.0	1	
5	Heat shrink	black, UL	1	Covers shield
6	Heat shrink	black, UL	1	Covers jacket end



Installation Details

Recommended panel cutout:



Notes:

- Cables individually packaged two slide ratchets (55-00140) within bag
- For ideal retention, please use both slide ratchets
- Caution: Ratchets are intended for single use installation. Multiple removals and installations will diminish ratcheting retention.
- Cable meets USB 2.0 requirements

Revision:	Date:	Description:	Prepared:	Notes:	<h1>TENSILITY</h1> <p>tel 1.541.323.3228 800 877.670.7118 fax 1.541.323.4202 web tensility.com</p>
A	8/20/2020	Initial release	Verified:		
			Dimensions are in millimeters.	Function test: no open, no short circuit, no intermittent	Size: A Part number: 10-03659 Scale: 1:1 Sheet 1 of 1
			Tolerances: X: ± 0.5 mm X.X: ± 0.3 mm X.XX: ± 0.05 mm	Description: Cable, 305 mm, panel mount USB Micro B jack 50-00928 to stripped tinned, 28 AWG, 30-00088 wire	

5

4

3

2

1