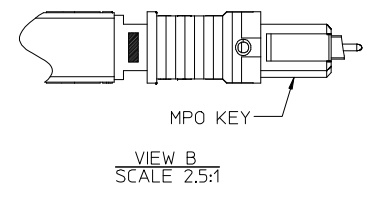
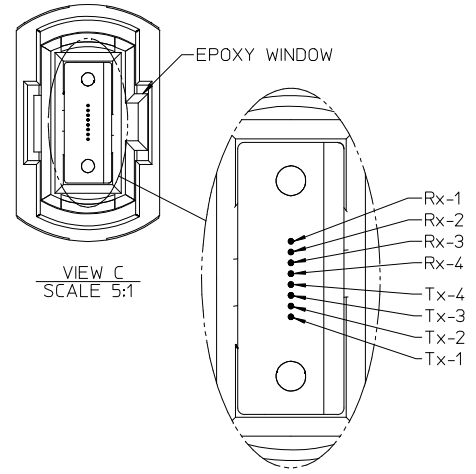
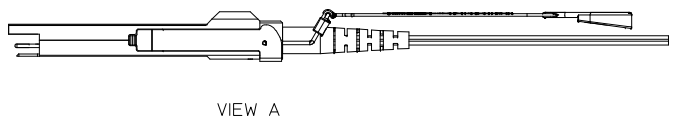
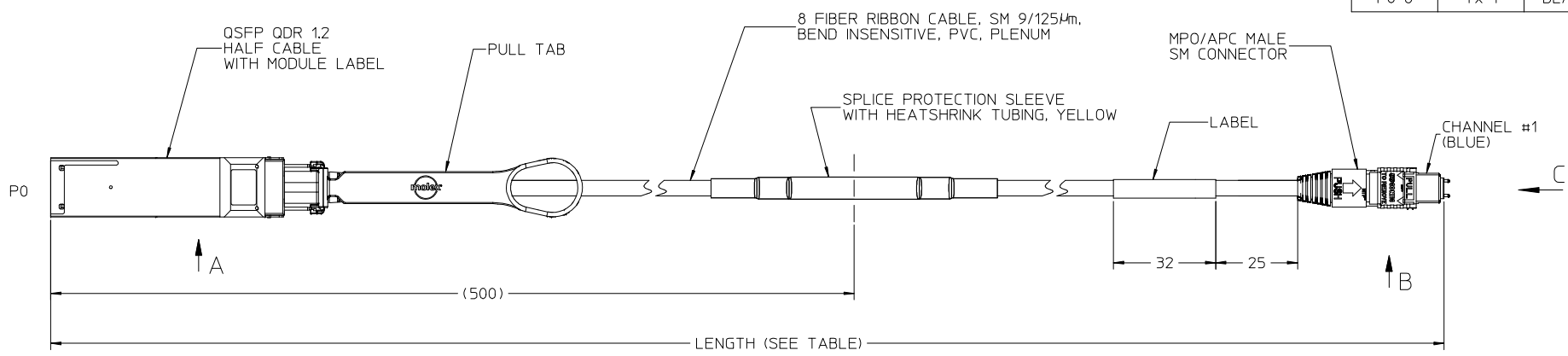


MOLEX P/N	LOSS BUDGET	LENGTH [m]
106414-1201	2dB	1 +0.2/-0
106414-1202		2 +0.2/-0
106414-1203		3 +0.2/-0
106414-1205	4dB	5 +0.2/-0
106414-1401		1 +0.2/-0
106414-1402		2 +0.2/-0
106414-1403	3 +0.2/-0	
106414-1405	6dB	5 +0.2/-0
106414-1601		1 +0.2/-0
106414-1603		3 +0.2/-0
106414-1605	5 +0.2/-0	

CONNECTIONS		
FROM	TO	FIBER COLOR
P0-1	Rx-1	BLUE
P0-2	Rx-2	ORANGE
P0-3	Rx-3	GREEN
P0-4	Rx-4	BROWN
P0-5	Tx-4	SLATE
P0-6	Tx-3	WHITE
P0-7	Tx-2	RED
P0-8	Tx-1	BLACK



- NOTES:
1. DUST CAPS ARE NOT SHOWN BUT INCLUDED.
 2. MAXIMUM INSERTION LOSS PER ASSEMBLY @ 1550nm: SEE TABLE
 3. LABEL IS PRINTED WITH MOLEX PART NUMBER AND SERIAL NUMBER.

ENTER DESCRIPTION EC NO: MF2013-0369 DRWNS:ERNST 2012/12/26 CHKD: LG/JMIN APPR: LG/JMIN 2012/12/28	QUALITY SYMBOLS ▽=0 ▽=0	GENERAL TOLERANCES (UNLESS SPECIFIED)	DIMENSION STYLE MM ONLY	SCALE 1:1	DESIGN UNITS INCH	THIRD ANGLE PROJECTION																												
		<table border="1"> <thead> <tr> <th></th> <th>mm</th> <th>INCH</th> </tr> </thead> <tbody> <tr> <td>4 PLACES</td> <td>± ---</td> <td>± ---</td> </tr> <tr> <td>3 PLACES</td> <td>± ---</td> <td>± ---</td> </tr> <tr> <td>2 PLACES</td> <td>± ---</td> <td>± ---</td> </tr> <tr> <td>1 PLACE</td> <td>± ---</td> <td>± ---</td> </tr> <tr> <td>0 PLACE</td> <td>±</td> <td>±</td> </tr> </tbody> </table>		mm	INCH	4 PLACES	± ---	± ---	3 PLACES	± ---	± ---	2 PLACES	± ---	± ---	1 PLACE	± ---	± ---	0 PLACE	±	±	<table border="1"> <tr> <td>DRAWN BY</td> <td>DATE</td> </tr> <tr> <td>EUFUNG</td> <td>2011/04/20</td> </tr> <tr> <td>CHECKED BY</td> <td>DATE</td> </tr> <tr> <td>APPROVED BY</td> <td>DATE</td> </tr> <tr> <td>BANDREI</td> <td>2011/04/20</td> </tr> </table>	DRAWN BY	DATE	EUFUNG	2011/04/20	CHECKED BY	DATE	APPROVED BY	DATE	BANDREI	2011/04/20	TITLE QSFP QDR 1.2 TO MPO(M) JUMPER, SM 9/125UM		
		mm	INCH																															
	4 PLACES	± ---	± ---																															
3 PLACES	± ---	± ---																																
2 PLACES	± ---	± ---																																
1 PLACE	± ---	± ---																																
0 PLACE	±	±																																
DRAWN BY	DATE																																	
EUFUNG	2011/04/20																																	
CHECKED BY	DATE																																	
APPROVED BY	DATE																																	
BANDREI	2011/04/20																																	
	ANGULAR ±1/2° DRAFT WHERE APPLICABLE MUST REMAIN WITHIN DIMENSIONS	MATERIAL NO. SEE TABLE	DOCUMENT NO. SD-106414-1201	SHEET NO. 1 OF 1																														
			THIS DRAWING CONTAINS INFORMATION THAT IS PROPRIETARY TO MOLEX INCORPORATED AND SHOULD NOT BE USED WITHOUT WRITTEN PERMISSION																															